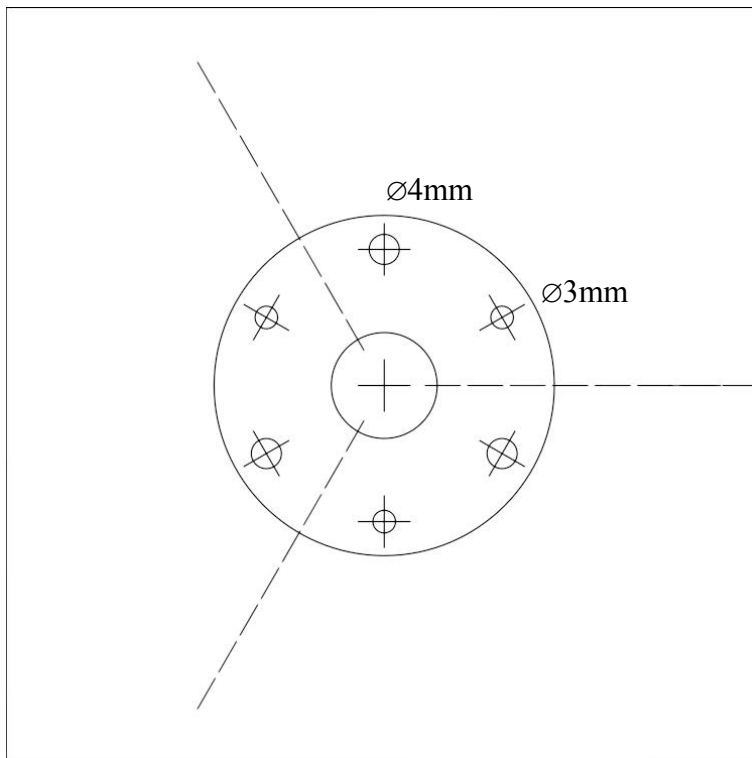


Support wheel
first pass

Paper size: A4



Support wheel
second pass

∅ - bore diameter