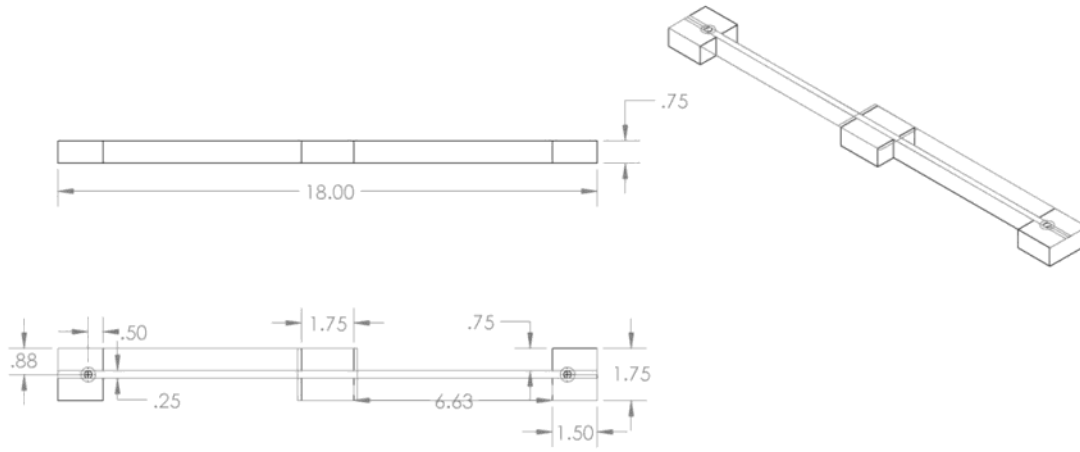


t.com



**PROPRIETARY AND CONFIDENTIAL**  
THE INFORMATION CONTAINED IN THIS DRAWING IS THE SOLE PROPERTY OF <INSERT COMPANY NAME HERE>. ANY REPRODUCTION IN PART OR AS A WHOLE WITHOUT THE WRITTEN PERMISSION OF <INSERT COMPANY NAME HERE> IS PROHIBITED.

		UNLESS OTHERWISE SPECIFIED:		NAME	DATE	
		DIMENSIONS ARE IN INCHES				TITLE: <b>Bow Limb</b>
		TOLERANCES:				
		FRACTIONAL ±				
		ANGULAR: MACH ± BEND ±				
		TWO PLACE DECIMAL ±				SIZE DWG. NO. REV
		THREE PLACE DECIMAL ±				<b>A bow limb2</b>
		INTERPRET GEOMETRIC TOLERANCING PER:				SCALE: 1:4 WEIGHT: SHEET 1 OF 1
		MATERIAL				
		FINISH				
	NEXT ASSY	USED ON				
	APPLICATION	DO NOT SCALE DRAWING				

5 4 3 2 1