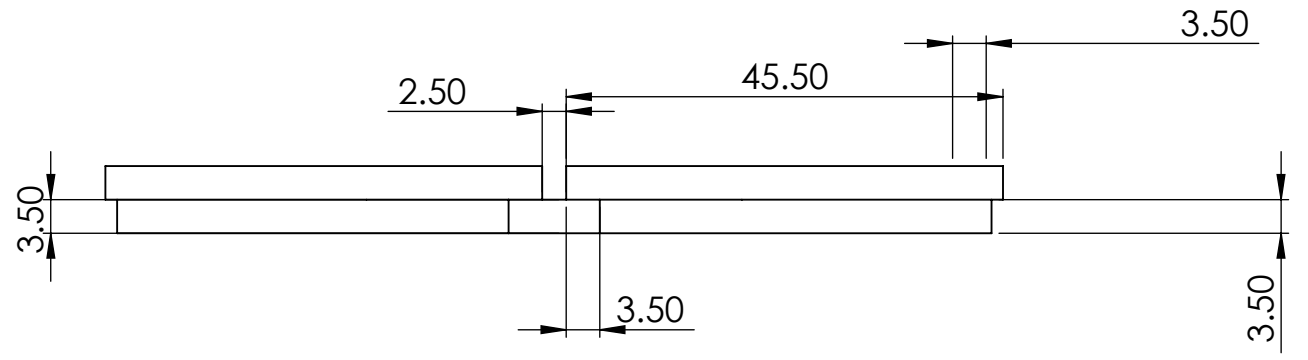


8 7 6 5 4 3 2 1

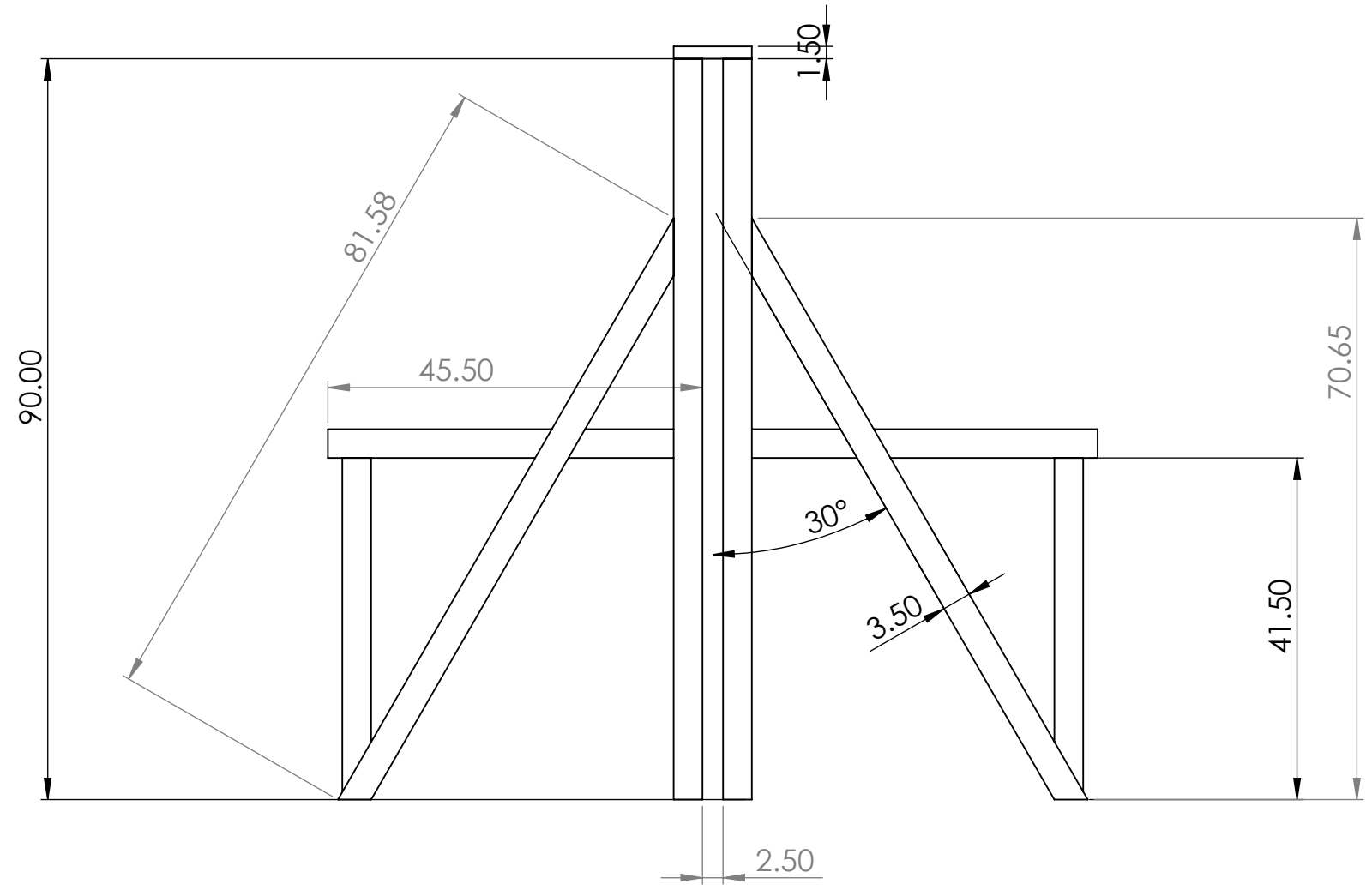
D

D



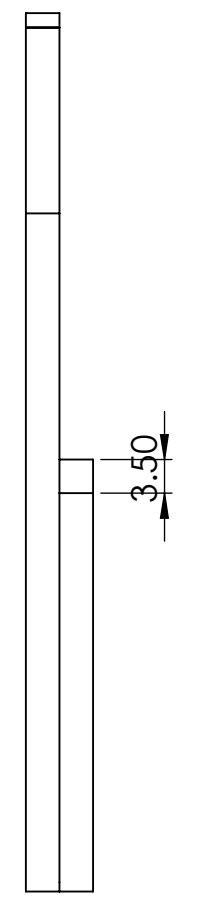
C

C



B

B



A

A

PROPRIETARY AND CONFIDENTIAL
 THE INFORMATION CONTAINED IN THIS DRAWING IS THE SOLE PROPERTY OF <INSERT COMPANY NAME HERE>. ANY REPRODUCTION IN PART OR AS A WHOLE WITHOUT THE WRITTEN PERMISSION OF <INSERT COMPANY NAME HERE> IS PROHIBITED.

| | | | | | |
|-------------|------------|--------------------------------------|-----------------|-----------|------------------|
| | | UNLESS OTHERWISE SPECIFIED: | | NAME | DATE |
| | | DIMENSIONS ARE IN INCHES | | DRAWN | N.SCULL 10/24/13 |
| | | TOLERANCES: | | CHECKED | |
| | | FRACTIONAL ± | | ENG APPR. | |
| | | ANGULAR: MACH ± BEND ± | | MFG APPR. | |
| | | TWO PLACE DECIMAL ± | | Q.A. | |
| | | THREE PLACE DECIMAL ± | | COMMENTS: | |
| | | INTERPRET GEOMETRIC TOLERANCING PER: | | | |
| | | MATERIAL | | | |
| NEXT ASSY | USED ON | FINISH | | | |
| APPLICATION | | DO NOT SCALE DRAWING | | | |
| TITLE: | | | TREBUCHET FRAME | | |
| SIZE | DWG. NO. | REV | | | |
| B | half_frame | | | | |
| SCALE: 1:10 | WEIGHT: | SHEET 1 OF 1 | | | |

8 7 6 5 4 3 2 1