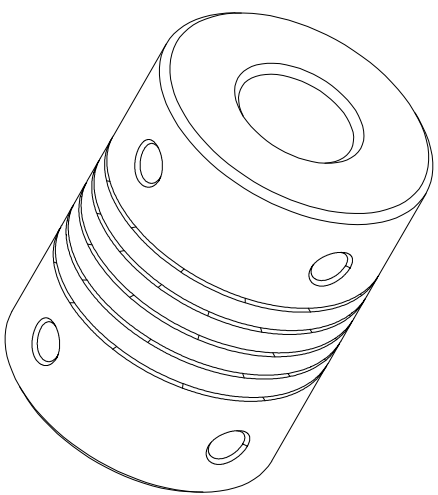


4x M3x0.5



Dept.	Technical reference	Created by <b>Pistacchio Graphic</b>	Approved by
		Document type <b>#16 Fusion 360</b>	Document status <a href="https://youtu.be/vGPQoBUB7io">https://youtu.be/vGPQoBUB7io</a>
		Title <b>Flexible Shaft Coupling</b>	DWG No.
			Rev.
			Date of issue
			Sheet