

Clavinova[®] CLP-120

SERVICE MANUAL



CLP-120

■ CONTENTS

| | |
|---------------------------------|----|
| SPECIFICATIONS | 3 |
| PANEL LAYOUT | 4 |
| CIRCUIT BOARD LAYOUT | 6 |
| BLOCK DIAGRAM | 7 |
| DISASSEMBLY PROCEDURE | 8 |
| LSI PIN DESCRIPTION | 19 |
| IC BLOCK DIAGRAM | 21 |
| CIRCUIT BOARDS | 23 |
| INSPECTION | 33 |
| MIDI IMPLEMENTATION CHART | 40 |
| OVERALL CIRCUIT DIAGRAM | |
| PARTS LIST | |

This document is printed on chlorine free (ECF) paper with soy ink.

CL 001671
20020401-158000

 **YAMAHA**

HAMAMATSU, JAPAN

1,752K-377 M ⓘ Printed in Japan '02, 03

IMPORTANT NOTICE

This manual has been provided for the use of authorized Yamaha Retailers and their service personnel. It has been assumed that basic service procedures inherent to the industry, and more specifically Yamaha Products, are already known and understood by the users, and have therefore not been restated.

WARNING: Failure to follow appropriate service and safety procedures when servicing this product may result in personal injury, destruction of expensive components and failure of the product to perform as specified. For these reasons, we advise all Yamaha product owners that all service required should be performed by an authorized Yamaha Retailer or the appointed service representative.

IMPORTANT: This presentation or sale of this manual to any individual or firm does not constitute authorization, certification, recognition of any applicable technical capabilities, or establish a principal-agent relationship of any form.

The data provided is believed to be accurate and applicable to the unit(s) indicated on the cover. The research engineering, and service departments of Yamaha are continually striving to improve Yamaha products. Modifications are, therefore, inevitable and changes in specification are subject to change without notice or obligation to retrofit. Should any discrepancy appear to exist, please contact the distributor's Service Division.

WARNING: Static discharges can destroy expensive components. Discharge any static electricity your body may have accumulated by grounding yourself to the ground bus in the unit (heavy gauge black wires connect to this bus).

IMPORTANT: Turn the unit OFF during disassembly and parts replacement. Recheck all work before you apply power to the unit.

WARNING: CHEMICAL CONTENT NOTICE!

The solder used in the production of this product contains LEAD. In addition, other electrical / electronic and / or plastic (where applicable) components may also contain traces of chemicals found by the California Health and Welfare Agency (and possibly other entities) to cause cancer and / or birth defects or other reproductive harm.

DO NOT PLACE SOLDER, ELECTRICAL / ELECTRONIC OR PLASTIC COMPONENTS IN YOUR MOUTH FOR ANY REASON WHAT SO EVER!

Avoid prolonged, unprotected contact between solder and your skin! When soldering, do not inhale solder fumes or expose eyes to solder / flux vapor!

If you come in contact with solder or components located inside the enclosure of this product, wash your hands before handling food.

IMPORTANT NOTICE FOR THE UNITED KINGDOM

Connecting the Plug and Cord

IMPORTANT. The wires in this mains lead are coloured in accordance with the following code:

BLUE : NEUTRAL
BROWN : LIVE

As the colours of the wires in the mains lead of this apparatus may not correspond with the coloured markings identifying the terminals in your plug proceed as follows:

The wire which is coloured BLUE must be connected to the terminal which is marked with the letter N or coloured BLACK.


The wire which is coloured BROWN must be connected to the terminal which is marked with the letter L or coloured RED.

Making sure that neither core is connected to the earth terminal of the three pin plug.

(2 wires)

- This applies only to products distributed by Yamaha-Kemble Music (U.K.) Ltd.

■ WARNING

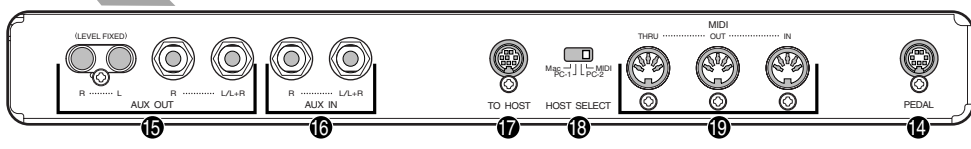
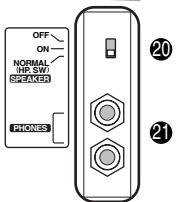
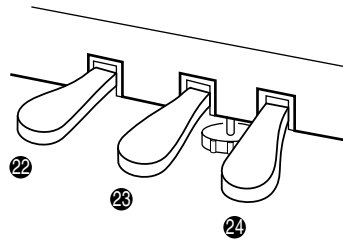
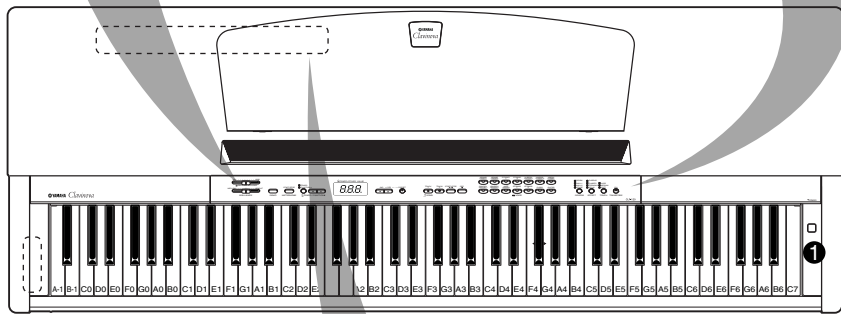
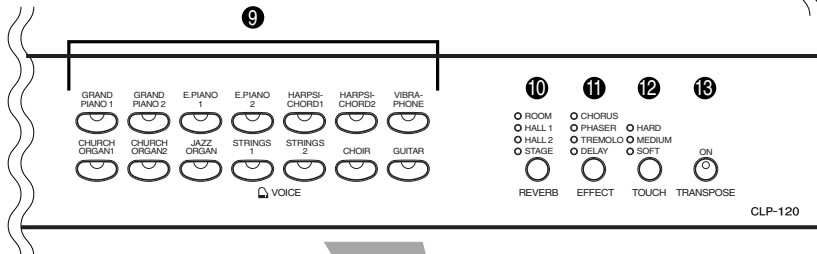
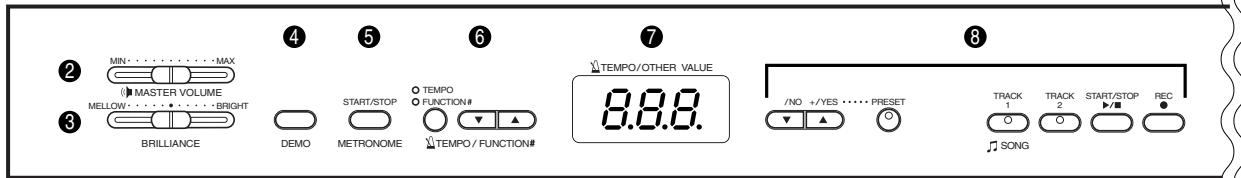
Components having special characteristics are marked  and must be replaced with parts having specification equal to those originally installed.

■ SPECIFICATIONS

| | |
|---|--|
| Keyboard | 88 (A-1 ~ C7) |
| Sound Source | AWM Stereo Sampling |
| Polyphony | 64 Notes Max. |
| Voice Selections | 14 |
| Effect | Reverb, Effect, Brilliance |
| Volume | Master Volume |
| Controls | Dual, Metronome, Transpose, Touch (Hard/Medium/Soft/Fixed), Functions, Speaker ON/OFF |
| Recording/Playback | 2-track recording/playback (1 user song), Tempo Adjustment, Synchro Start |
| Pedal | Damper, Sostenuto, Soft |
| Demo Songs | 14 voice Demo Songs, 50 preset Songs |
| Jacks/Connectors | MIDI (IN/OUT/THRU), PHONES x 2, AUX IN, AUX OUT(L/L+R,R), AUX OUT (LEVEL FIXED)(L,R), TO HOST |
| Output Impedance | 600Ω |
| Main Amplifiers | 20W x 2 |
| Speakers | 16cm x 2 |
| Power Consumption | 48W |
| Dimensions (WxDxH) (with music stand) | 1370mm x 518mm x 850mm [53 15/16" x 20 3/8" x 33 7/16"] (1370mm x 518mm x 1022mm) [53 15/16" x 20 3/8" x 40 1/4"] |
| Weight | 54 kg (112 lbs., 7oz) |
| Accessories | Owner's Manual, "50 greats for the Piano" (Music Book), Bench (included or optional depending on locale) |

PANEL LAYOUT

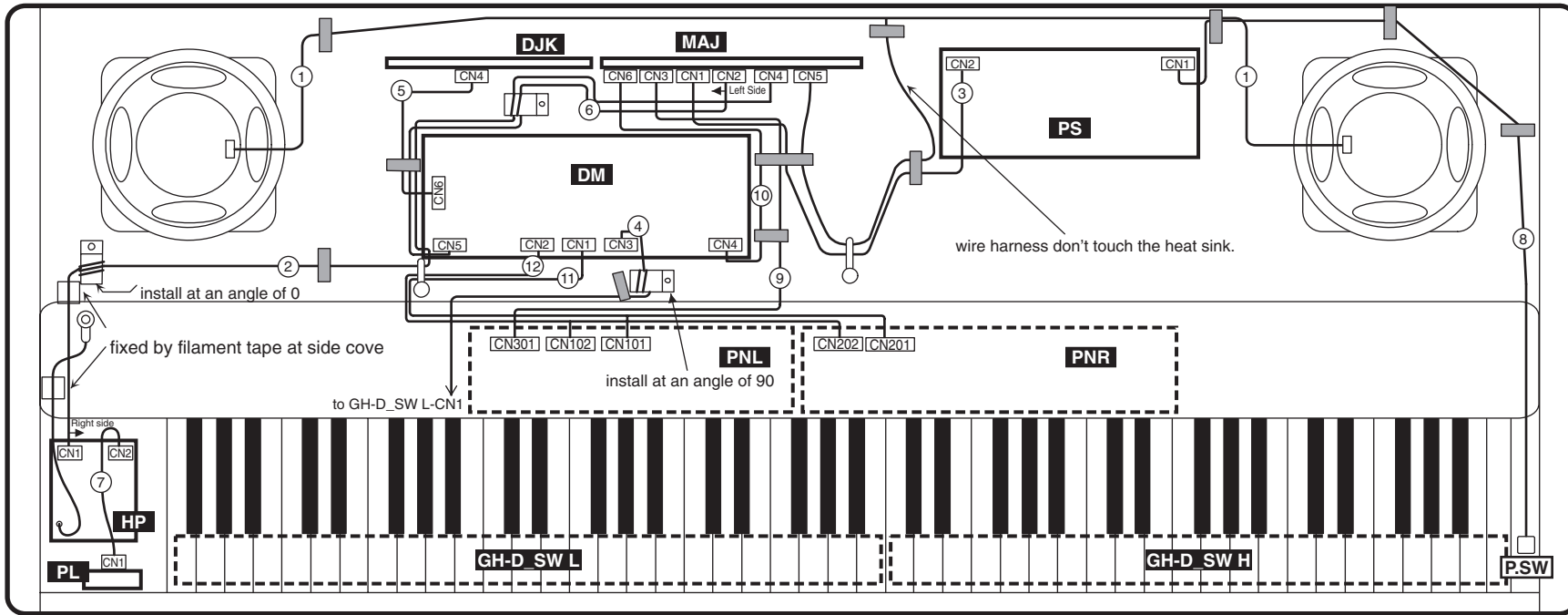
• Top Panel



Connectors

- ❶ POWER
- ❷ [MASTER VOLUME]
- ❸ [BRILLIANCE]
- ❹ [DEMO]
- ❺ METRONOME [START/STOP]
- ❻ [TEMPO/FUNCTION # ▲▼]
- ❼ LED Display
- ❽ [-/NO]/[+YES]
[PRESET]
[TRACK1][TRACK2]
SONG [START/STOP]
[REC]
- ❾ Voice buttons
- ❿ [REVERB]
- ⓫ [EFFECT]
- ⓬ [TOUCH]
- ⓭ [TRANSPOSE]
- ⓮ [PEDAL]
- ⓯ AUX OUT
- ⓰ AUX IN
- ⓱ [TO HOST]
- ⓲ [HOST SELECT]
- ⓳ MIDI [IN][OUT][THRU]
- ⓴ [SPEAKER]
- ⓵ [PHONES]
- ⓶ Soft (Left) Pedal
- ⓷ Sostenuto (Center) Pedal
- ⓸ Damper (Right) Pedal

■ CIRCUIT BOARD LAYOUT



□ : Filament Tape

■ : Code Binder

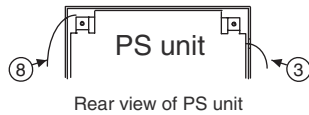
□○ : Ferrite Core

○ : Cable Holder

└ : Connector Direction

NOTE.

No3, No8 wire harness shall be around as the following drawing. (U/C model only)

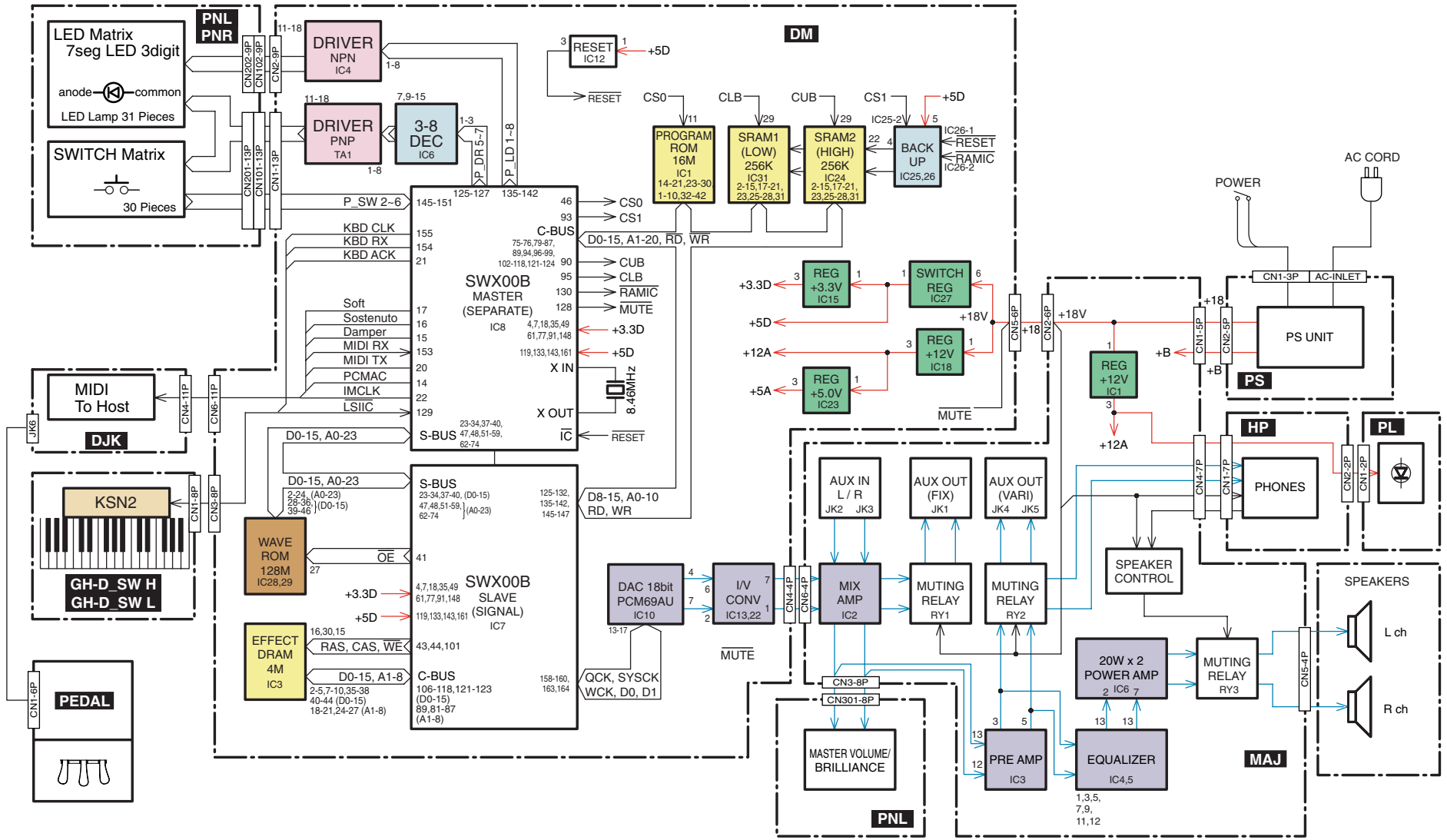


A power supply unit cover should U Lack a No. 3 wire harness, and take it out from a part.

NOTE.

②,⑥ wire harness are letting a fewite core pass.

| Location | Part Number | Part Name | Pin/Lenge | Destination |
|----------|-------------|---------------------------|-----------------------|--------------------------------------|
| 1 | V8497800 | SP Wire Harness | 4Pin/ L=1000 L=800 | MAJ-CN5 SP Lch WH/BL SP Rch RE/BL |
| 2 | V9106900 | HP-LF Wire Harness | 7Pin/L=1000 | MAJ-CN4 HP-CN1 |
| 3 | V8498000 | POWER SUPPLY Wire Harness | 5Pin/L=450 | PS-CN2 MAJ-CN1 |
| 4 | V9394600 | MK-LF Wire Harness | 8Pin/L=500 | DM-CN3 GH-D_SW L-CN1 |
| 5 | VK101600 | KRD-KRD Wire Harness | 11Pin/L=150 | DM-CN6 DJK-CN4 |
| 6 | VJ981200 | KRD-KRD Wire Harness | 6Pin/L=300 | MAJ-CN2 DM-CN5 |
| 7 | VK099600 | KRD-KRD Wire Harness | 2Pin/L=150 | HP-CN2 PL-CN1 |
| 8 | V8528200 | PSW Wire Harness | 3Pin/L=150 | POWER SW PS-CN1 |
| 9 | V8497600 | VOL Wire Harness | 8Pin/L=600 | MAJ-CN3 PNL-CN301 |
| 10 | V8497700 | SIG Wire Harness | 4Pin/L=300 | DM-CN4 MAJ-CN6 |
| 11 | V8498300 | PN1 Wire Harness | 13Pin/L=700 | DM-CN1 PNL-CN101 PNR-CN201 |
| 12 | V8498400 | PN2 Wire Harness | 9Pin/L=660 | DM-CN2 PNL-CN102 PNR-CN202 |

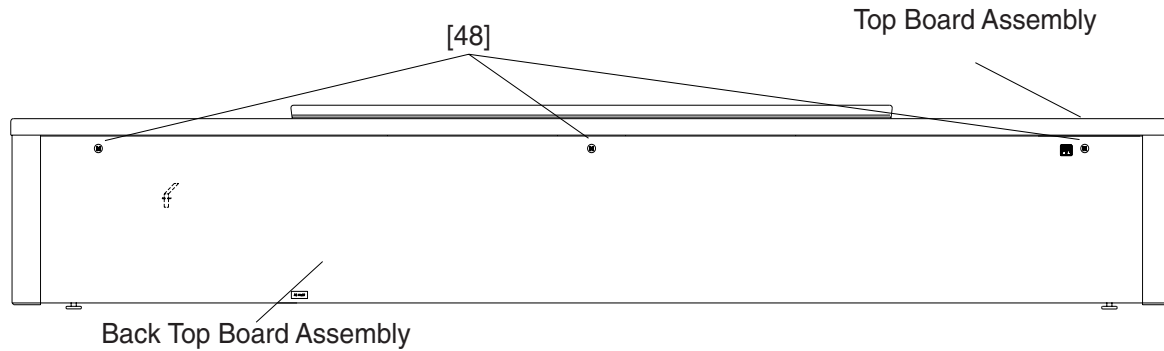


■ DISASSEMBLY PROCEDURE

1. Top Board Assembly

(Time required: about 2 min)

- * Before disassembling the top board assembly, shut up the key cover assembly completely to protect the key cover assembly from being scratched.
- 1-1. Remove the three (3) screws marked [48]. (Fig.1)
- 1-2. Slide the top board assembly forward and lift it out.



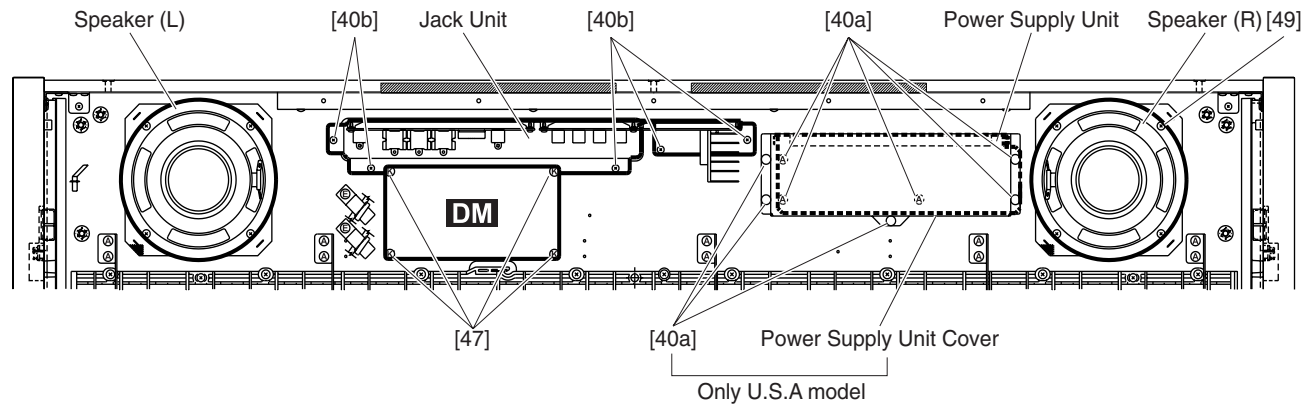
(Fig.1)

[48]: Truss Head Screw 4.0X16 MFZN2BL (V6207400)

2. Circuit Boards or Units in the Main Unit

(Time required: about 4 min for each)

- 2-1. Remove the top board assembly. (See Procedure 1)
- 2-2. Remove the following screws to remove each unit.
(Fig.2)



(Fig.2)

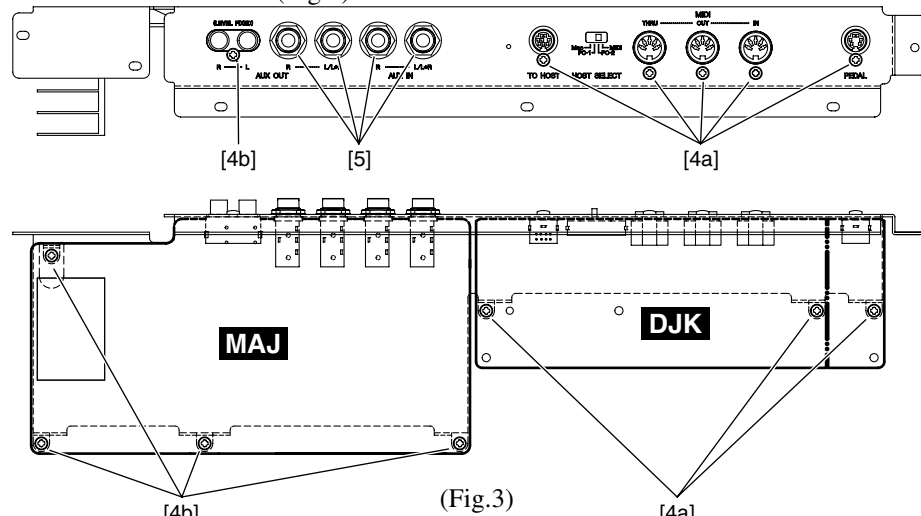
[47]: Bind Head Tapping Screw-B 3.0X8 MFZN2Y (EP600190)
 [40a]: Bind Head Tapping Screw-1 3.5X12 MFZN2Y (EP030240)
 [40b]: Bind Head Tapping Screw-1 3.5X12 MFZN2Y (EP030240)
 [49]: Truss Head Tapping Screw-1 4X20 MFZN2Y (20338800)

3. DJK Circuit Board (Time required: about 5 min)

- 3-1. Remove the top board assembly. (See Procedure 1)
- 3-2. Remove the jack unit. (See Procedure 2)
- 3-3. Remove the eight (8) screws marked [4a]. The DJK circuit board can then be removed. (Fig.3)

4. MAJ Circuit Board (Time required: about 5 min)

- 4-1. Remove the top board assembly. (See Procedure 1)
- 4-2. Remove the jack unit. (See Procedure 2)
- 4-3. Remove the five (5) screws marked [4b] and the four (4) hexagonal nuts marked [5]. The MAJ circuit board can then be removed. (Fig.3)

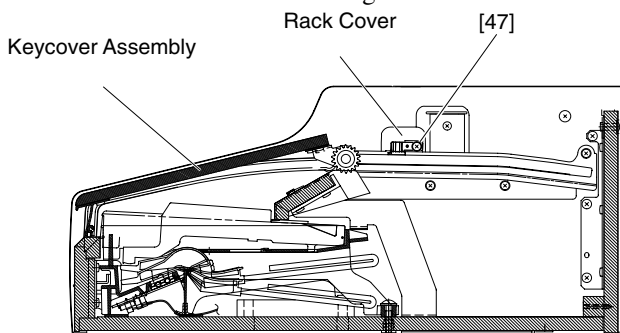


- [4a]: Bind Head Tapping Screw-B 3.0X8 MFZN2BL (EP600190)
- [4b]: Bind Head Tapping Screw-B 3.0X8 MFZN2BL (EP600190)
- [5]: Hexagonal Nut 12.0 14X2 NFZN2BL (VB508600)

5. Key Cover Assembly (Time required: about 3 min)

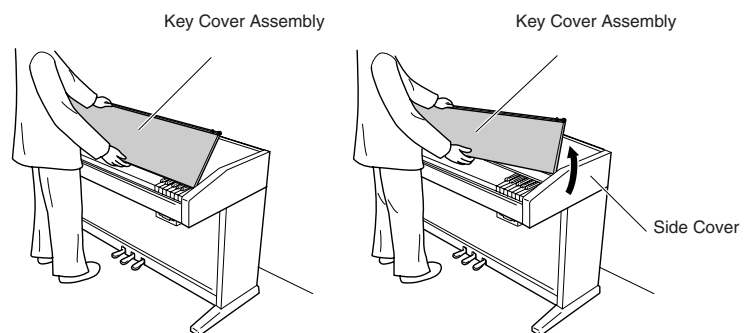
- 5-1. Remove the top board assembly. (See Procedure 1)
- 5-2. Remove the screw marked [47] for each side, and then remove the rack cover L, R. (Fig.4-1)
- 5-3. Set the both ends of the rod to slits of the rack, and lift the key cover assembly. (Fig.4-2)
- 5-4. Lean the key cover assembly slightly, and then remove the guide pins from the guide rail one by one. (Fig.4-2)

On these occasions, take care not to scratch the side cover. When reinstall the key cover assembly, apply masking tape along the guide rail to protect the side covers from being scratched.



(Fig.4-1)

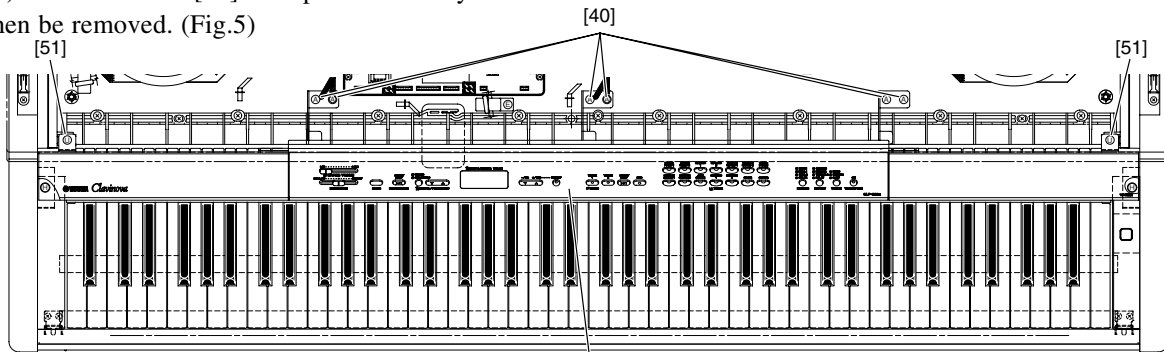
- [47]: Bind Head Tapping Screw-B 3.0X8 MFZN2Y (EP600190)



(Fig.4-2)

6. Panel Assembly (Time required: about 5 min)

- 6-1. Remove the top board assembly. (See Procedure 1)
- 6-2. Remove the key cover assembly. (See Procedure 5)
- 6-3. Remove the two (2) screws marked [51] and the six (6) screws marked [40]. The panel assembly can then be removed. (Fig.5)

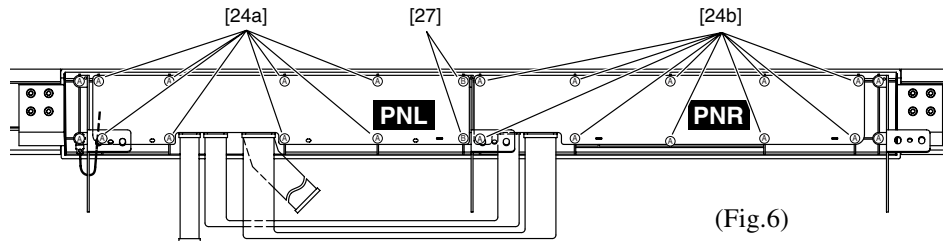


Control Panel Assembly (Fig.5)

- [40]: Bind Head Tapping Screw-1 3.5X12 MFZN2Y (EP030240)
- [51]: Bind Head Tapping Screw-B 4.0X10 MFZN2Y (EP640130)

7. PNL, PNR Circuit Board (Time required: about 7 min for each)

- 7-1. Remove the top board assembly. (See Procedure 1)
- 7-2. Remove the key cover assembly. (See Procedure 5)
- 7-3. Remove the panel assembly. (See Procedure 6)
- 7-4. Remove the eight (8) screws marked [24a] and the two (2) screws marked [27]. The PNL circuit board can then be removed. (Fig.6)
- 7-5. Remove the ten (10) screws marked [24b]. The PNR circuit board can then be removed. (Fig.6)

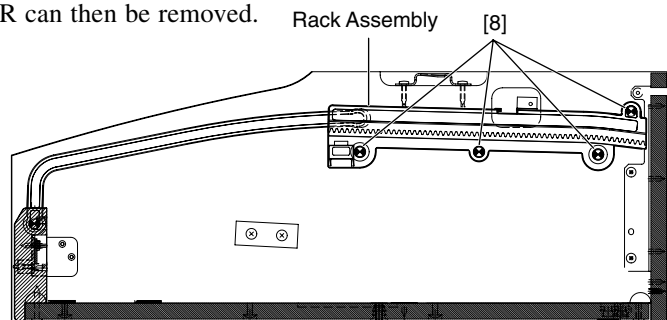


(Fig.6)

- [24a]: Bind Head Tapping Screw-B 3.0X8 MFZN2Y (EP600250)
- [24b]: Bind Head Tapping Screw-B 3.0X8 MFZN2Y (EP600250)
- [27]: Bind Head Tapping Screw-B 3.0X10 MFZN2BL (EP600140)

8. Rack Assembly L, R (Time required: about 4 min for each)

- 8-1. Remove the top board assembly. (See Procedure 1)
- 8-2. Remove the key cover assembly. (See Procedure 5)
- 8-3. Remove the four (4) screws marked [8] for each side. The rack assembly L, R can then be removed. (Fig.7)



(Fig.7)

- [8]: Bind Head Tapping Screw-1 3.5X16 MFZN2Y (EP030190)

9. End Block Assembly L, R

(Time required: about 6 min for each)

- 9-1. Remove the top board assembly. (See Procedure 1)
- 9-2. Remove the key cover assembly. (See Procedure 5)
- 9-3. Remove the panel assembly. (See Procedure 6)
- 9-4. Remove the screw marked [45] for each side. The end block assembly can then be removed. (Fig.8)

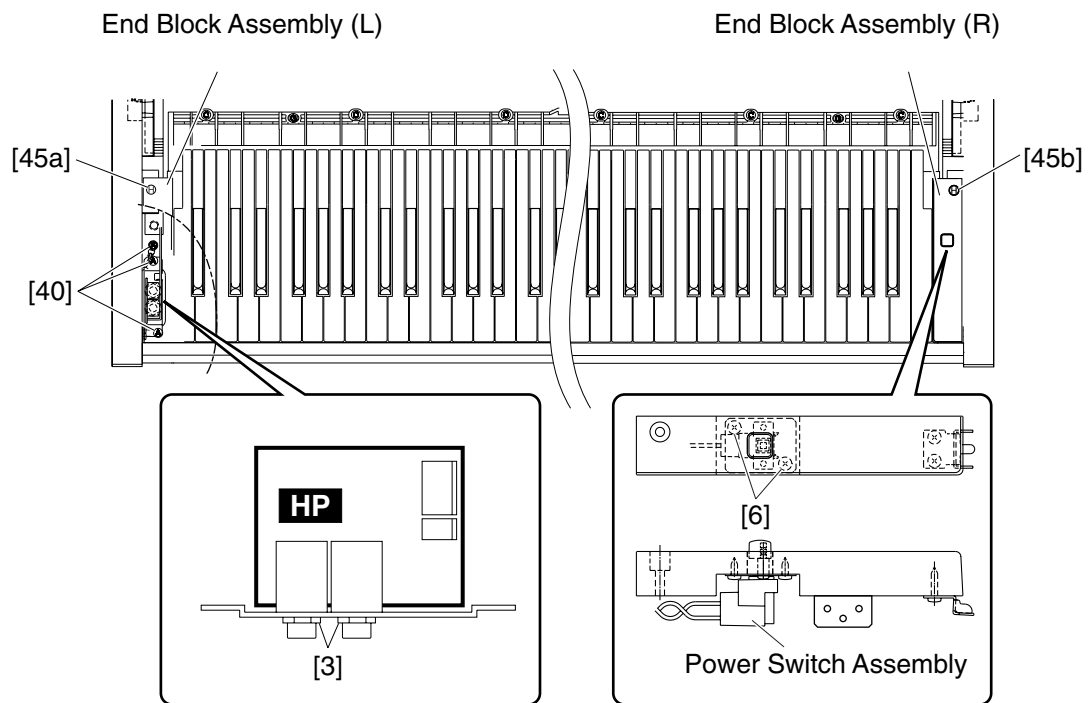
10. HP Jack Assembly (Time required: about 7 min)

- 10-1. Remove the top board assembly. (See Procedure 1)
- 10-2. Remove the key cover assembly. (See Procedure 5)
- 10-3. Remove the panel assembly. (See Procedure 6)
- 10-4. Remove the end block assembly L (See Procedure 9)
- 10-5. Remove the three (3) screws marked [40]. The HP jack assembly can then be removed. (Fig.8)

11. Power Switch Assembly

(Time required: about 7 min)

- 11-1. Remove the top board assembly. (See Procedure 1)
- 11-2. Remove the key cover assembly. (See Procedure 5)
- 11-3. Remove the panel assembly. (See Procedure 6)
- 11-4. Remove the end block assembly R (See Procedure 9)
- 11-5. Remove two (2) screws marked [6]. The PSW assembly can then be removed. (Fig.8)



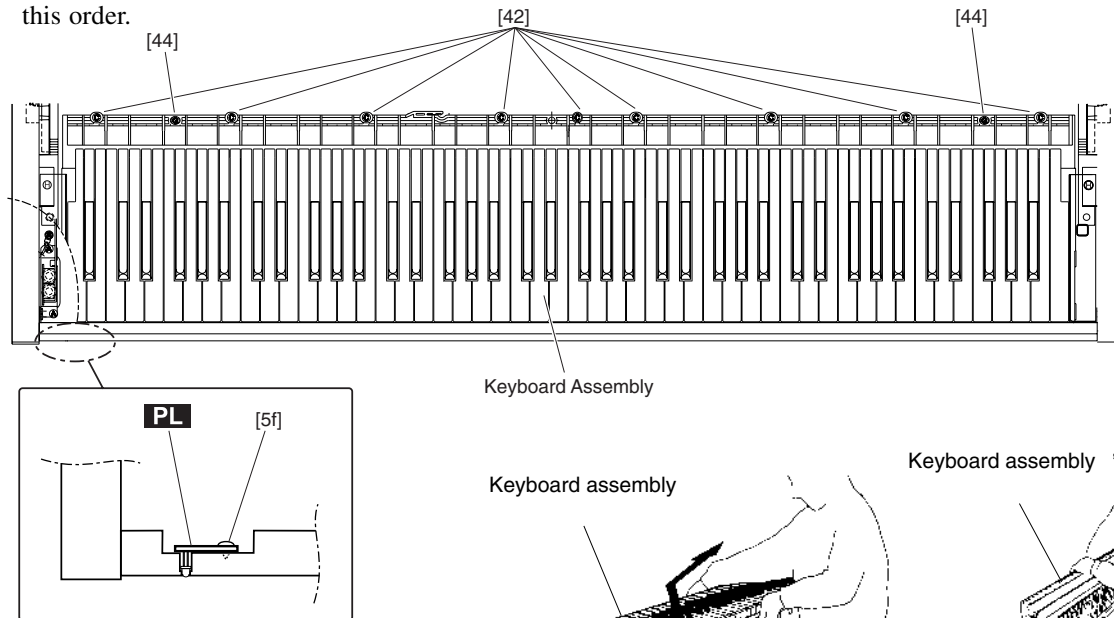
(Fig.8)

- [3]: Hexagonal Nut 12.0 14X2 MFZN2BL (VB508600)
- [6]: Bind Head Tapping Screw-1 3.5X10 MFZN2BL (EP030320)
- [40]: Bind Head Tapping Screw-1 3.5X12 MFZN2Y (EP030240)
- [45a]: Truss Head Tapping Screw-1 3.5X30 MFZN2Y (VA076400)
- [45b]: Truss Head Tapping Screw-1 3.5X30 MFZN2Y (VA076400)

12. Keyboard Assembly (Time required: about 9 min)

- 12-1. Remove the top board assembly. (See Procedure 1)
- 12-2. Remove the key cover assembly. (See Procedure 5)
- 12-3. Remove the panel assembly. (See Procedure 6)
- 12-4. Remove either the rack assembly L or R.
(See Procedure 8)
- 12-5. Remove the end block assembly L, R
(See Procedure 9)
- 12-6. Remove the nine (9) screws marked [42] and the two (2) screws marked [44]. (Fig.9)
- 12-7. Move the keyboard assembly backward, hold the central area of it, and get it upright to remove.
(Fig.10)

- * Holding both side ends of the keyboard assembly may twist and damage the frame.
- * When reinstall the keyboard assembly, tighten the screws marked [44] and the screws marked [42] in this order.

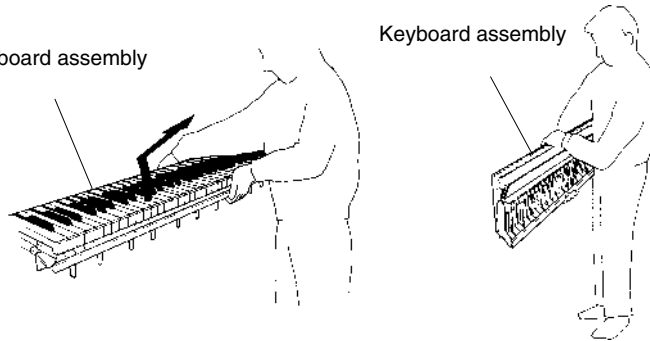


(Fig.9)

Keyboard assembly

Keyboard assembly

Keyboard assembly



(Fig.10)

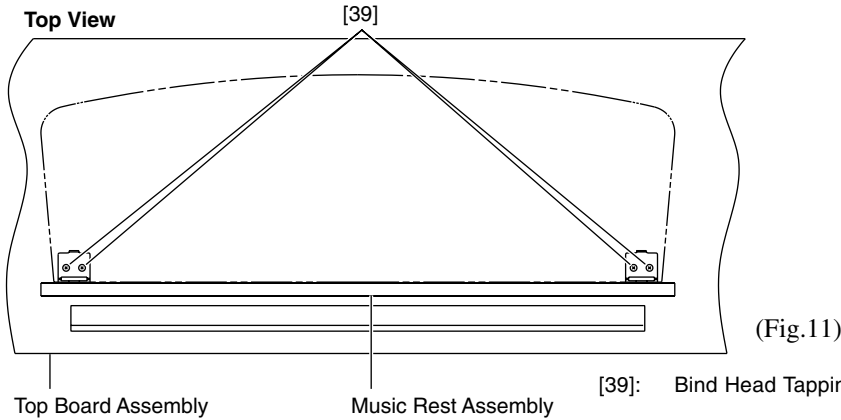
- [42]: Pan Head Screw 5.0X25 MFZN2Y PW (VV040700)
 [44]: Bind Head Tapping Screw-1 4.0X14 MFZN2Y (EP040230)
 [5f]: Bind Head Tapping Screw-1 3.5X12 MFZN2BL (EP030340)

13. PL Circuit Board (Time required: about 10 min)

- 13-1. Remove the top board assembly. (See Procedure 1)
- 13-2. Remove the key cover assembly. (See Procedure 5)
- 13-3. Remove the panel assembly. (See Procedure 6)
- 13-4. Remove either the rack assembly L or R.
(See Procedure 8)
- 13-5. Remove the end block assembly L, R
(See Procedure 9)
- 13-6. Remove the keyboard assembly. (See Procedure 12)
- 13-7. Remove the screw marked [5f]. The PL circuit board can then be removed. (Fig.9)

14. Music Rest Assembly
(Time required: about 1 min)

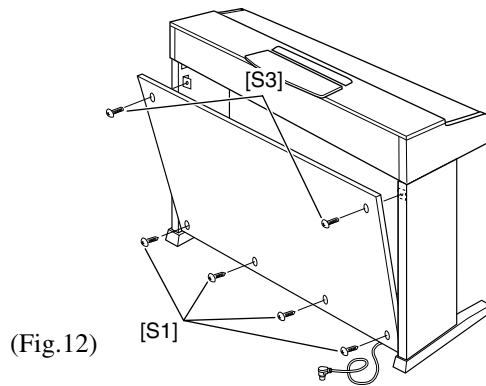
14-1. Remove the four (4) screws marked [39]. The music rest assembly can then be removed. (Fig.11)



[39]: Bind Head Tapping Screw-1 3.0X16 MFZN2BL (EP030310)

15. Back Board (Time required: about 2 min)

15-1. Remove the four (4) screws marked [S1] and the two (2) screws marked [S3].
 The back board can then be removed. (Fig.12)



[S1]: Truss Head Tapping Screw-1 4.0X20 MFZNBL (03747290)

[S3]: Truss Head Screw 4.0X12 MFZNBL (VP367300)

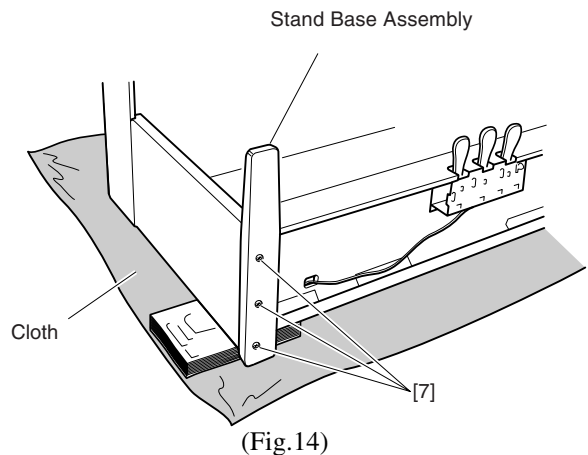
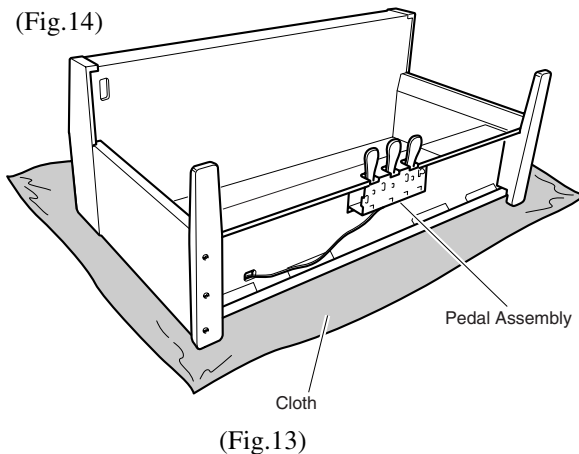
16. Stand Base L, R
(Time required: about 3 min for each)

* For safety, make sure to perform by two persons.

16-1. Spread soft cloth on the floor and lay down the unit carefully on its back. (Fig.13)

16-2. Put the bolsters under both side boards to float the stand bases from the floor. (Fig.14)

16-3. Remove the three (3) screws marked [7] for each side. The stand base L, R can then be removed. (Fig.14)



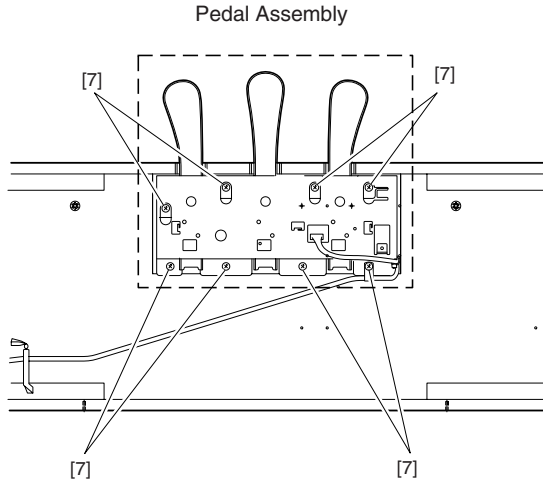
[7]: Bind Head Tapping Screw-1 4.0X40 MFZN2Y (V5344700)

17. Pedal Assembly (Time required: about 3 min)

* For safety, make sure to perform by two persons.

17-1. Spread soft cloth on the floor and lay down the unit carefully on its back. (Fig.13)

17-2. Remove the eight (8) screws marked [7]. The pedal assembly can then be removed. (Fig.15)



(Fig.15)

[7]: Bind Head Tapping Screw-1 4.0X14 MFZN2Y (EP040230)

18. Main Unit (Time required: about 3 min)

* For safety, make sure to perform by two persons.

* Previously, spread soft cloth on where the main unit will be laid.

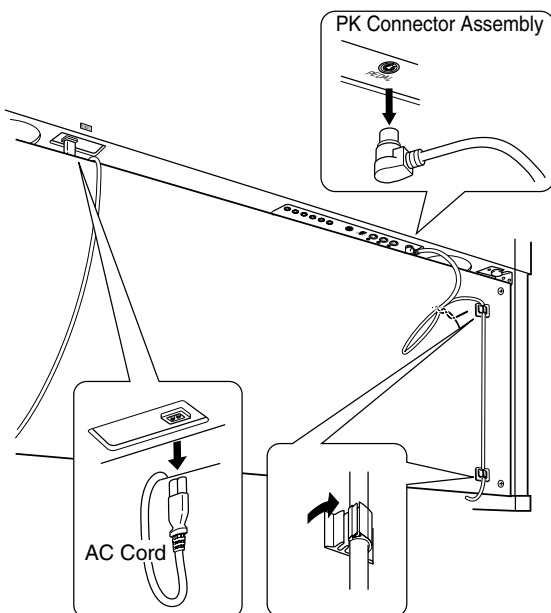
* Take care not to catch your fingers between the main unit and the stand when remove the main unit.

18-1. Remove the back board. (See Procedure 15)

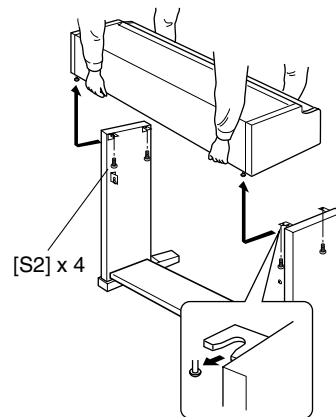
18-2. Remove the AC cord and the PK cable. (Fig.16)

18-3. Remove the four (4) screws marked [S2]. (Fig.17)

18-4. Slide the main unit backward and lift it to remove. (Fig.17)



(Fig.16)

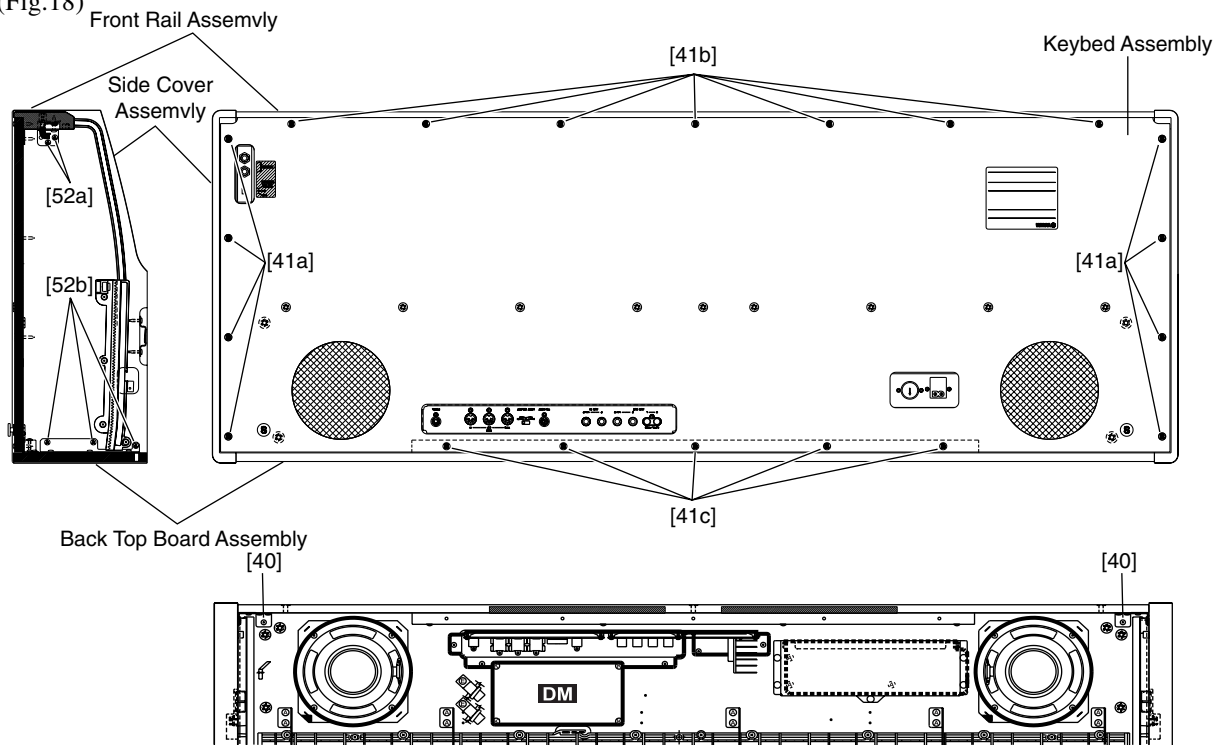


(Fig.17)

[S2]: Bind Head Screw 6.0X16 MFZN2BL (EG360020)

19. Side Cover Assembly L, R (Time required: about 12 min for each)

- * For safety, make sure to perform by two persons.
 - * To remove screws from the bottom, prepare a worktable or bolsters to set the main unit.
- 19-1. Remove the top board assembly. (See Procedure 1)
 - 19-2. Remove the key cover assembly. (See Procedure 5)
 - 19-3. Remove the panel assembly. (See Procedure 6)
 - 19-4. Remove the end block assembly L, R.
(See Procedure 9)
 - 19-5. Remove the keyboard assembly. (See Procedure 12)
 - 19-6. Remove the main unit and lay it on the worktable or the bolsters. (See Procedure 18)
 - 19-7. Remove the four (4) screws marked [41a] for each side and the five (5) screws marked [52] for each side. The side cover assembly L, R can then be removed. (Fig.18)



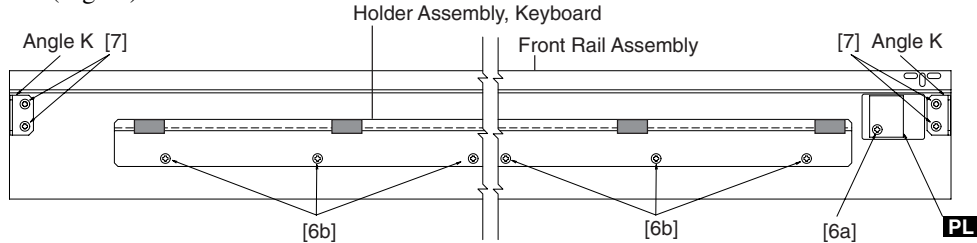
(Fig.18)

- [40]: Bind Head Tapping Screw-1 3.5X12 MFZN2Y (EP030240)
- [41a]: Truss Head Tapping Screw-1 3.5X30 MFZN2BL (VU952600)
- [41b]: Truss Head Tapping Screw-1 3.5X30 MFZN2BL (VU952600)
- [52a]: Bind Head Tapping Screw-1 3.5X16 MFZN2Y (EP030190)
- [52b]: Bind Head Tapping Screw-1 3.5X16 MFZN2Y (EP030190)

20. Front Rail (Time required: about 12 min)

- 20-1. Remove the top board assembly. (See Procedure 1)
- 20-2. Remove the key cover assembly. (See Procedure 5)
- 20-3. Remove the panel assembly. (See Procedure 6)
- 20-4. Remove the end block assembly L, R.
(See Procedure 9)
- 20-5. Remove the keyboard assembly. (See Procedure 12)
- 20-6. Remove the seven (7) screws marked [41b] and the two (2) screws marked [52] for each side to remove the front rail assembly. (Fig.18)

- 20-7. Remove the screw marked [6a] to remove the PL circuit board. (Fig.19)
- 20-8. Remove the six (6) screws marked [6b] to remove the keyboard holder assembly. (Fig.19)
- 20-9. Remove the four (4) screws marked [7] to remove the angle K. (Fig.19)



(Fig.19)

- [6a]: Bind Head Tapping Screw-1 3.5X20 MFZN2BL (EP0305800)
- [6b]: Bind Head Tapping Screw-1 3.5X20 MFZN2BL (EP0305800)
- [7]: Bind Head Tapping Screw-1 4.0X40 MFZN2Y (V5344700)

**21. Back Top Panel Assembly
(Time required: about 3 min)**

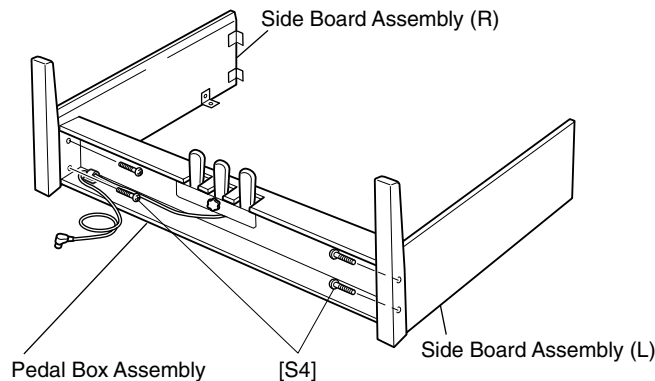
- 21-1. Remove the top board assembly. (See Procedure 1)
- 21-2. Remove the two (2) screws marked [40], the five (5) screws marked [41c] and the three (3) screws marked [52] for each side. The back top panel assembly can then be removed. (Fig.18)

**22. Side Board Assembly L, R
(Time required: about 4 min for each)**

- * For safety, make sure to perform by two persons.
- 22-1. Remove the main unit. (See Procedure 18)
- 22-2. Remove the four (4) screws marked [S4]. The side board assembly L, R can then be removed. (Fig.20)

23. Pedal Box Assembly (Time required: about 4 min)

- * For safety, make sure to perform by two persons.
- 23-1. Remove the pedal assembly. (See Procedure 17)
- 23-2. Remove the four (4) screws marked [S4]. The pedal box assembly can then be removed. (Fig.20)

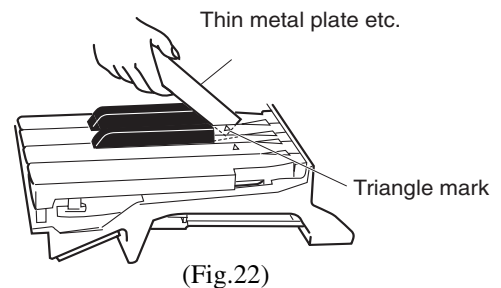
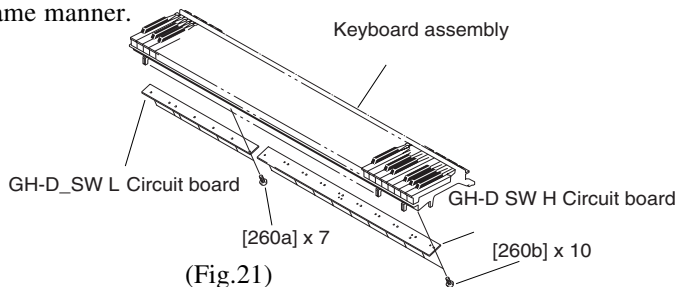


(Fig.20)

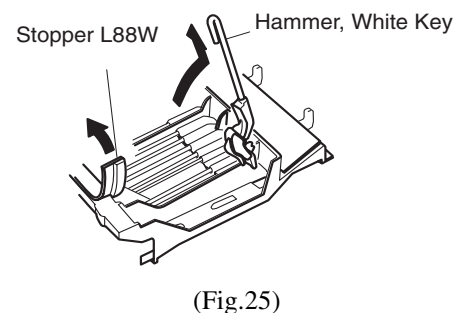
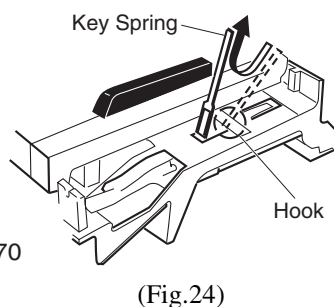
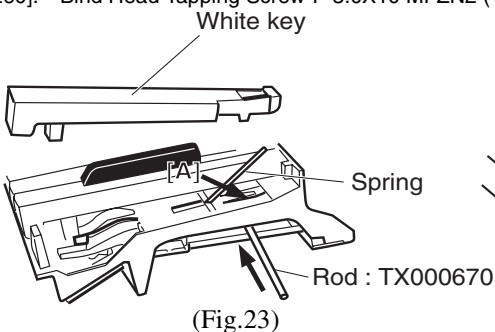
- [S4]: Truss Head Screw 6.5X25 MFZN2BL (VQ448400)

24. Disassembling the GHD Keyboard (Time required: about 20 min)

- * After inserting a round stick (Rod: TX000670) between the frame and keys, remove the circuit boards. (Fig.23)
- 24-1 Remove the keyboard assembly. (See Procedure 12)
- 24-2 GH-D_SW L circuit board.
Remove the seven (7) screws marked [260a]. The GH-D_SW L circuit board can then be removed. (Fig.21)
- 24-3 GH-D_SW H circuit board.
Remove the ten (10) screws marked [260b]. The GH-D_SW H circuit board can then be removed. (Fig.21)
- * Keys can be removed without removing the circuit boards.
- * The rubber contact can be removed, after GH-D_SW L circuit board and GH-D_SW H circuit board are removed.
- 24-4 White Key
Insert a thin plate between the white keys, near the triangle mark around the fulcrum of the key, and press down the stopper marked [A] to remove the key. (Fig.22 and 23)
- * Take care not to damage the key spring when removing a key.
- * A black key can be removed after both adjacent white keys have been removed.
- 24-5 Hammer, White Key
After a key has been removed, push the key spring down once to take it out of the hook. (Fig.24)
Place the GH keyboard assembly upside down and peel away then stopper L88W. The hammer of the white key can then be removed. (Fig.25)
- * The hammer of a black key can be removed in the same manner.



[260]: Bind Head Tapping Screw-P 3.0X10 MFZN2 (VT413400)



25. Assembling the GHD Keyboard

25-1 Hammer of White (Black) Key

Place the keyboard assembly upside down, insert a hammer assembly into the frame, and put the stopper L88W on. (Fig.26)

* There are four kinds of hammers that differ in weight.

25-2 Key Spring

Place the keyboard assembly right side up, and fix a key spring to the frame by setting it at the slit and pushing it down once. (Fig.27)

* Be careful of the direction of the spring.

25-3 White (Black) Key

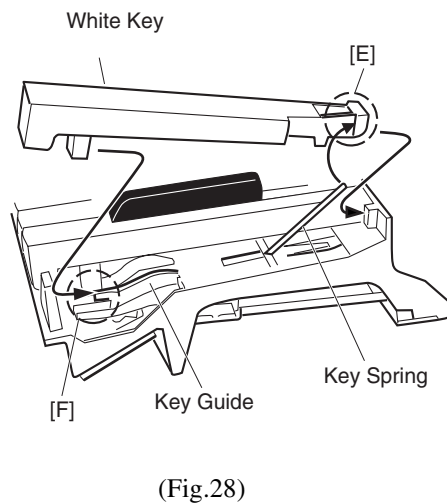
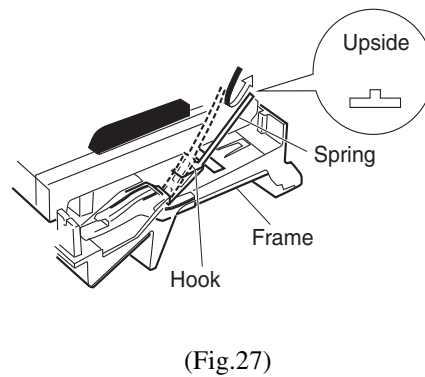
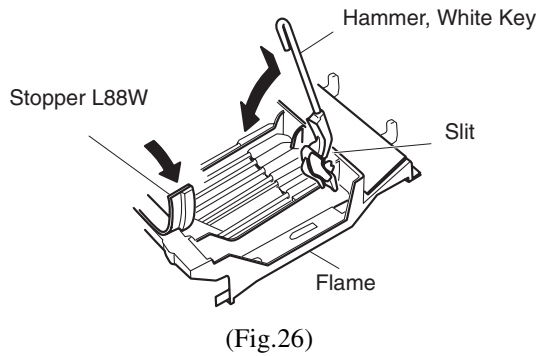
After a key has been fit to part [F] and the key guide, make sure that the spring is fixed to the key. Then press part [E] of the key down. (Fig.28)

25-4 GH-D_SW L circuit board.

Tighten the seven [7] screws marked [260a] to fix the GH-D_SW L circuit board. (Fig.21)

25-5 GH-D_SW H circuit board.

Tighten the ten [10] screws marked [260b] to fix the GH-D_SW H circuit board. Set the slits of the rubber contact at the marks on the frame. (Fig.21)



■ LSI PIN DESCRIPTION

CONTENTS

- HG73C205AFD XU947C00 SWX00B (TONE GENERATOR) 20
- YMZ702-D XR632A00 KSN2 (Key Scanner) 21

● HG73C205AFD (XU947C00) SWX00B TONE GENERATOR

DM : IC007, 008

| PIN NO. | NAME | I/O | FUNCTION | PIN NO. | NAME | I/O | FUNCTION | | |
|---------|----------|-----|----------------------|--------------------|--------|------------------------|----------------------------|---------------------|------------------------|
| 1 | ICN | I | Initial clear | 85 | CMA3 | O | Program address bus | | |
| 2 | RFCLKI | I | PLL Clock | 86 | CMA8 | O | | | |
| 3 | TM2 | I | PLL Control | 87 | CMA2 | O | | | |
| 4 | AVDD_PLL | | Power supply | 88 | CRD | O | read signal | | |
| 5 | AVSS_PLL | | Ground | 89 | CMA1 | O | Program address bus | | |
| 6 | MODE0 | I | SWX dual mode | 90 | CUB | O | high byte effective signal | | |
| 7 | VCC7 | | Power supply | 91 | VCC91 | | Power supply | | |
| 8 | GND8 | | Ground | 92 | GHND92 | | Ground | | |
| 9 | XIN | I | crystal oscillator | 93 | CS1 | O | CS signal | | |
| 10 | XOUT | O | crystal oscillator | 94 | CMA0 | O | Program address bus | | |
| 11 | MODE1 | I | SWX separate mode | 95 | CLB | O | low byte effective signal | | |
| 12 | TEST0 | I | TEST pin | 96 | CMA12 | O | Program address bus | | |
| 13 | TESTON | I | TEST pin | 97 | CMA11 | O | | | |
| 14 | AN0-P40 | I | A/D converter | 98 | CMA10 | O | | | |
| 15 | AN1-P41 | I | | 99 | CMA9 | O | | | |
| 16 | AN2-P42 | I | | 100 | GND100 | | Ground | | |
| 17 | AN3-P43 | I | | 101 | CWE | O | write signal | | |
| 18 | AVDD_AN | | Power supply | 102 | CMA16 | O | Program address bus | | |
| 19 | AVSS_AN | | Ground | 103 | CMA15 | O | | | |
| 20 | TXD0 | O | for MIDI or TO-HOST | 104 | CMA14 | O | | | |
| 21 | TXD1 | O | for MIDI | 105 | CMA13 | O | Program memory Data bus | | |
| 22 | EXCLK | I | Crystal oscillator | 106 | CMD8 | I/O | | | |
| 23 | SMD11 | I/O | Wave memory data bus | 107 | CMD7 | I/O | | | |
| 24 | SMD4 | I/O | | 108 | CMD9 | I/O | | | |
| 25 | SMD3 | I/O | | 109 | CMD6 | I/O | | | |
| 26 | SMD12 | I/O | | 110 | CMD10 | I/O | | | |
| 27 | SMD10 | I/O | | 111 | CMD5 | I/O | | | |
| 28 | SMD5 | I/O | | 112 | CMD11 | I/O | | | |
| 29 | SMD2 | I/O | | 113 | CMD4 | I/O | | | |
| 30 | SMD13 | I/O | | 114 | CMD12 | I/O | | | |
| 31 | SMD9 | I/O | | 115 | CMD3 | I/O | | | |
| 32 | SMD6 | I/O | | 116 | CMD13 | I/O | | | |
| 33 | SMD1 | I/O | | 117 | CMD2 | I/O | | | |
| 34 | SMD14 | I/O | | 118 | CMD14 | I/O | | | |
| 35 | VCC35 | | | Power supply | 119 | VCC119 | | Power supply | |
| 36 | GND36 | | | Ground | 120 | GND115 | | Ground | |
| 37 | SMD8 | I/O | Wave memory data bus | 121 | CMD1 | I/O | Program memory Data bus | | |
| 38 | SMD7 | I/O | | 122 | CMD15 | I/O | | | |
| 39 | SMD0 | I/O | | 123 | CMD0 | I/O | | | |
| 40 | SMD15 | I/O | | 124 | CMA21 | O | | Program address bus | |
| 41 | SOE | O | read signal | 125 | PDT15 | I/O | SWX access data bus | | |
| 42 | SWE | O | write signal | 126 | PDT14 | I/O | | | |
| 43 | SRAS | O | RAS signal | 127 | PDT13 | I/O | | | |
| 44 | SCAS | O | CAS signal | 128 | PDT12 | I/O | | | |
| 45 | REFRESH | O | REFRESH signal | 129 | PDT11 | I/O | | | |
| 46 | CS0 | O | CS signal | 130 | PDT10 | I/O | | | |
| 47 | SMA0 | O | Memory address bus | 131 | PDT9 | I/O | SWX access data bus | | |
| 48 | SMA16 | O | | 132 | PDT8 | I/O | | | |
| 49 | VCC49 | | | Power supply | 133 | VCC133 | | | Power supply |
| 50 | GND50 | | | Ground | 134 | GND134 | | | Ground |
| 51 | SMA1 | O | | Memory address bus | 135 | PDT7 | | I/O | SWX access data bus |
| 52 | SMA15 | O | | | 136 | PDT6 | | I/O | |
| 53 | SMA2 | O | 137 | | PDT5 | I/O | | | |
| 54 | SMA14 | O | 138 | | PDT4 | I/O | | | |
| 55 | SMA3 | O | 139 | | PDT3 | I/O | | | |
| 56 | SMA13 | O | 140 | | PDT2 | I/O | | | |
| 57 | SMA4 | O | Memory address bus | 141 | PDT1 | I/O | SWX access data bus | | |
| 58 | SMA12 | O | | 142 | PDT0 | I/O | | | |
| 59 | SMA5 | O | | 143 | VCA143 | | | Power supply | |
| 60 | GND60 | | | Ground | 144 | GND144 | | | Ground |
| 61 | VCC61 | | | Power supply | 145 | PAD2 | | I | SWX access address bus |
| 62 | SMA11 | O | | 146 | PAD1 | I | | | |
| 63 | SMA6 | O | 147 | PAD0 | I | | | | |
| 64 | SMA10 | O | Memory address bus | 148 | VCC148 | | Power supply | | |
| 65 | SMA7 | O | | 149 | GND149 | | Ground | | |
| 66 | SMA9 | O | | 150 | PCS | I | Chip select | | |
| 67 | SMA17 | O | | 151 | PWR | I | write enable | | |
| 68 | SMA8 | O | | 152 | PRD | I | read enable | | |
| 69 | SMA18 | O | | 153 | RXD0 | I | for Midi or TO-HOST | | |
| 70 | SMA19 | O | 154 | RXD1 | I | for Midi or Key scan | | | |
| 71 | SMA20 | O | 155 | SCLKI | I | EXT Clock | | | |
| 72 | SMA21 | O | 156 | ADIN | I | A/D converter | | | |
| 73 | SMA22 | O | 157 | ADLR | O | A/D converter LR clock | | | |
| 74 | SMA23 | O | 158 | DO0 | O | DAC | | | |
| 75 | CMA20 | O | 159 | DO1 | O | | | | |
| 76 | CMA19 | O | 160 | SYCLK | O | 1/2 clock | | | |
| 77 | VCC77 | | Power supply | 161 | VCC161 | | Power supply | | |
| 78 | GND78 | | Ground | 162 | GND162 | | Ground | | |
| 79 | CMA18 | O | Program address bus | 163 | WCLK | O | for DAC LR clock | | |
| 80 | CMA17 | O | | 164 | QCLK | O | 1/12 clock | | |
| 81 | CMA5 | O | | 165 | BCLK | O | IIS-DAC clock | | |
| 82 | CMA6 | O | 166 | SY1 | I | Synch signal | | | |
| 83 | CMA4 | O | 167 | IRQ0 | I | Interrupt request | | | |
| 84 | CMA7 | O | 168 | NMI | I | | | | |

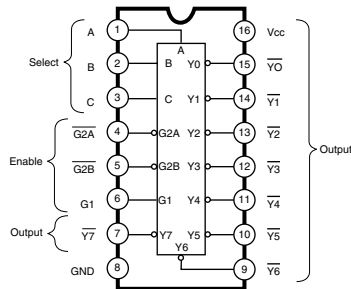
● **YMZ702-D (XR632A00) KSN2 (Key Scanner)**

GHDcl SW L: KSN2

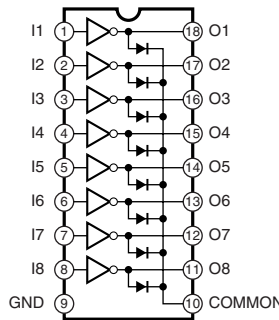
| PIN NO. | NAME | I/O | FUNCTION | PIN NO. | NAME | I/O | FUNCTION | |
|---------|------|-----|-----------------------------|---------|------|--------|--------------|----------------------------------|
| 1 | BK5 | O | Key block (open drain) | 21 | GND | | Ground | |
| 2 | BK4 | O | | | 22 | VDD | | Power supply |
| 3 | BK3 | O | | | 23 | SO | O | Serial data |
| 4 | BK2 | O | | | 24 | ACK | I | Acknowledge/mode select |
| 5 | BK1 | O | | | 25 | XCK | I | Clock for serial data |
| 6 | BK0 | O | | | 26 | /IC | I | Initial clear |
| 7 | MK15 | I | First make contact | 27 | TST1 | I | Test mode | |
| 8 | MK14 | I | | | 28 | TST2 | I | (L,L: normal mode, others: test) |
| 9 | MK13 | I | | | 29 | XCKINH | I | Inhibit of serial clock |
| 10 | MK12 | I | | | 30 | BK14 | O | Key block (open drain) |
| 11 | MK11 | I | | | 31 | BK13 | O | |
| 12 | MK10 | I | | | 32 | BK12 | O | |
| 13 | MK05 | I | | 33 | BK11 | O | | |
| 14 | MK04 | I | Second make contact | 34 | BK10 | O | | |
| 15 | MK03 | I | | | 35 | BK9 | O | |
| 16 | MK02 | I | | | 36 | BK8 | O | |
| 17 | MK01 | I | | | 37 | BK7 | O | |
| 18 | MK00 | I | | 38 | BK6 | O | | |
| 19 | XIN | I | Crystal osc. input (4 MHz) | 39 | GND | | Ground | |
| 20 | XOUT | O | Crystal osc. output (4 MHz) | 40 | VDD | | Power supply | |

■ **IC BLOCK DIAGRAM**

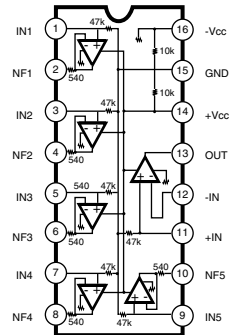
- **TC74HC138AFEL (XW762A00)**
3 to 8 Demultiplexer DM: IC006



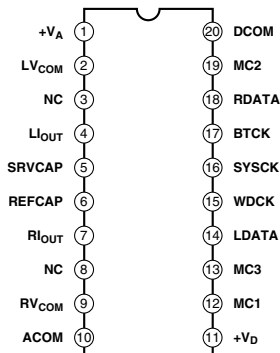
- **TD62083F-EL (X2550A00)**
- **TD62083F-TPI (XN153A00)**
Driver Array DM: IC004



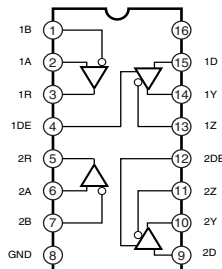
- **M5227FP (XT773A00)**
5-Band Graphic Equalizer MAJ: IC004, IC005



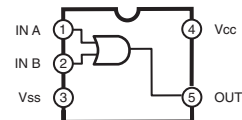
- **PCM69AU-3/TE2 (XV297A00)**
DIGITAL-TO-ANALOG CONVERTER DM: IC010



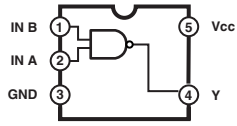
- **SN74C1168NSR (XU073A00)**
Line Driver/Receiver DJK: IC002



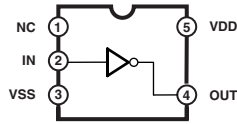
- **TC7S32F (XM588A00)**
OR DM: IC025



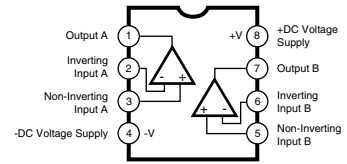
- **TC7S00F**(XG150A00)
NAND DM: IC026



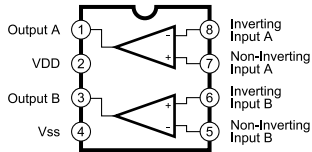
- **SC7SU04FEL**(XI348A00)
- **TC7SU04F** (XY447A00)
Inverter Gate DJK: IC001



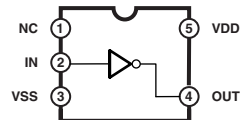
- **μPC4570G2** (XF291A00)
Dual Operational Amplifier
DM: IC013, IC022
MAJ: IC002



- **LA6517M-TE-R** (XT131A00)
Dual Low Voltage Power Amplifier
MAJ: IC003



- **TC7S04F** (XM182A00)
Inverter Gate DM: IC032

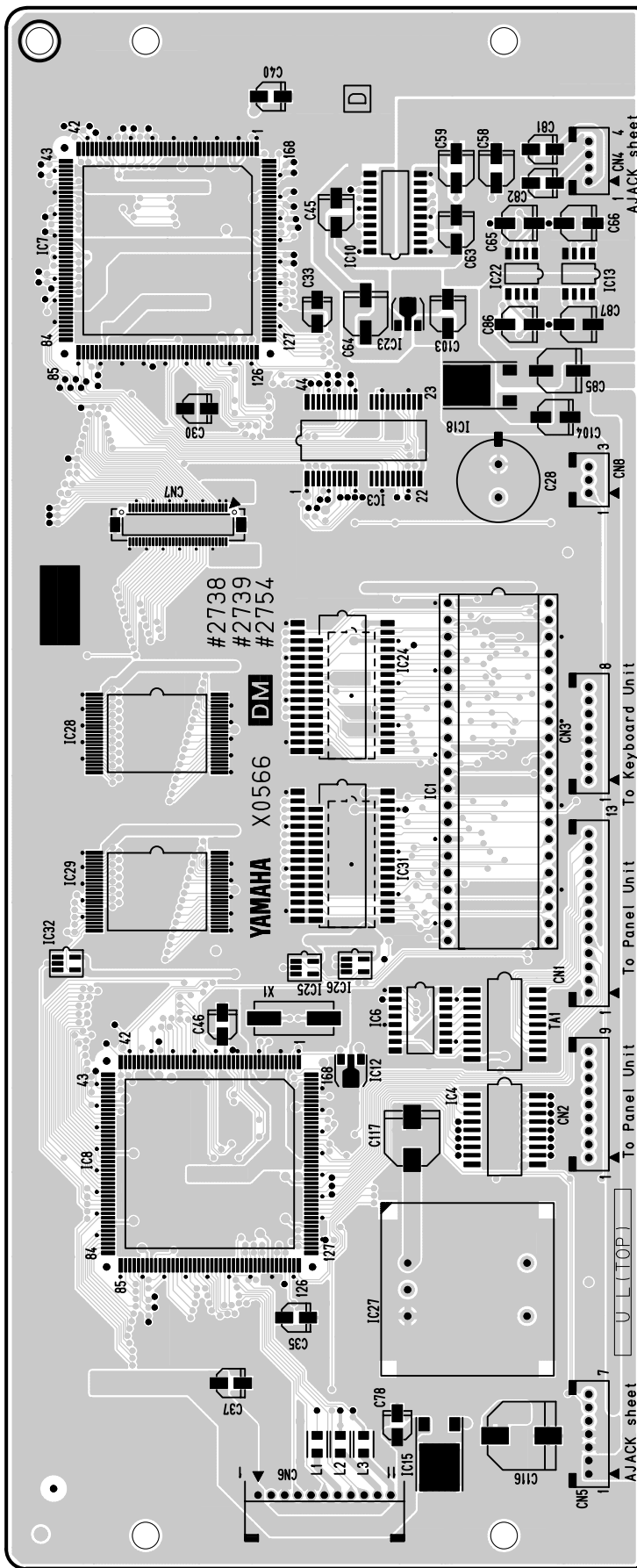


■ CIRCUIT BOARDS

CONTENTS

| | |
|---|----|
| • DM Circuit Board (2NA-V849550) | 24 |
| • MAJ Circuit Board (2NA-V855420) | 26 |
| • DJK Circuit Board (2NA-V849600) | 28 |
| • PS Circuit Board (2NA-V001070) | 29 |
| • PNR Circuit Board (2NA-V849690) | 30 |
| • PNL Circuit Board (2NA-V849680) | 31 |
| • PEDAL Circuit Board (2NA-V233730) | 32 |
| • HP Circuit Board (2NA-V858650) | 32 |
| • PL Circuit Board (2NA-VN63760) | 32 |

• DM Circuit Board



to MAJ-CN6
Component Side

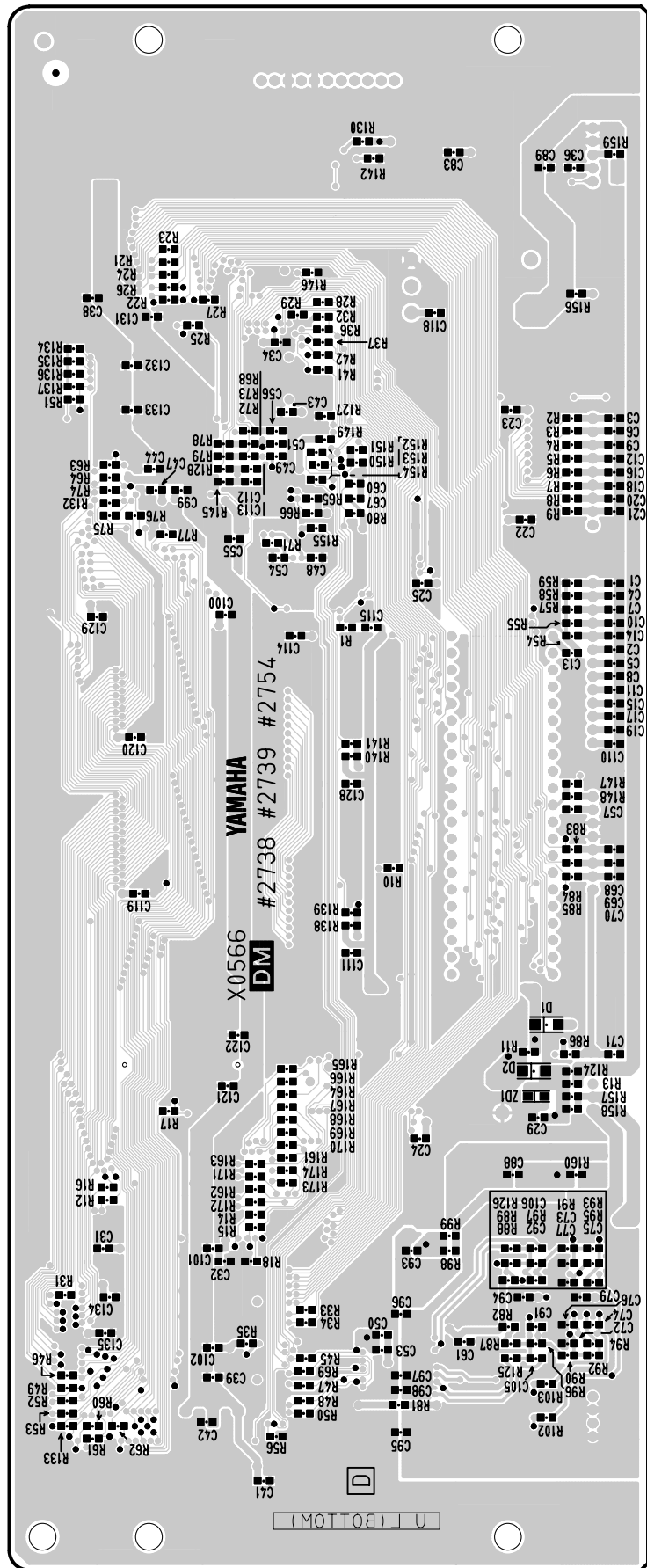
to PNL-CN102 to PNL-CN101 to GHDCI SW L-CN1
to PNR-CN202 to PNR-CN201

to MAJ-CN2
(CN5 PIN7: not installed)

to DJK-CN4

2NA-V849550

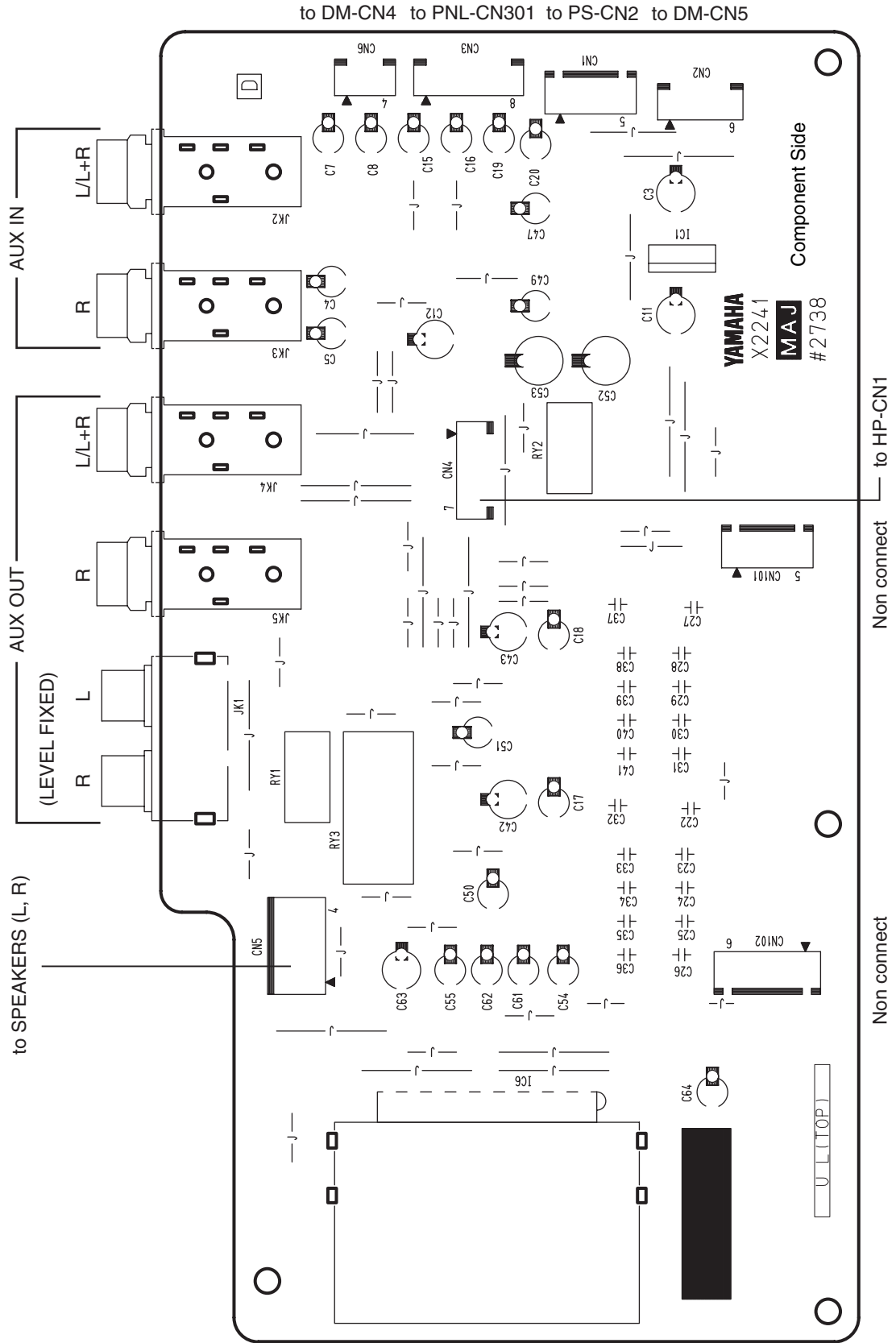
• DM Circuit Board



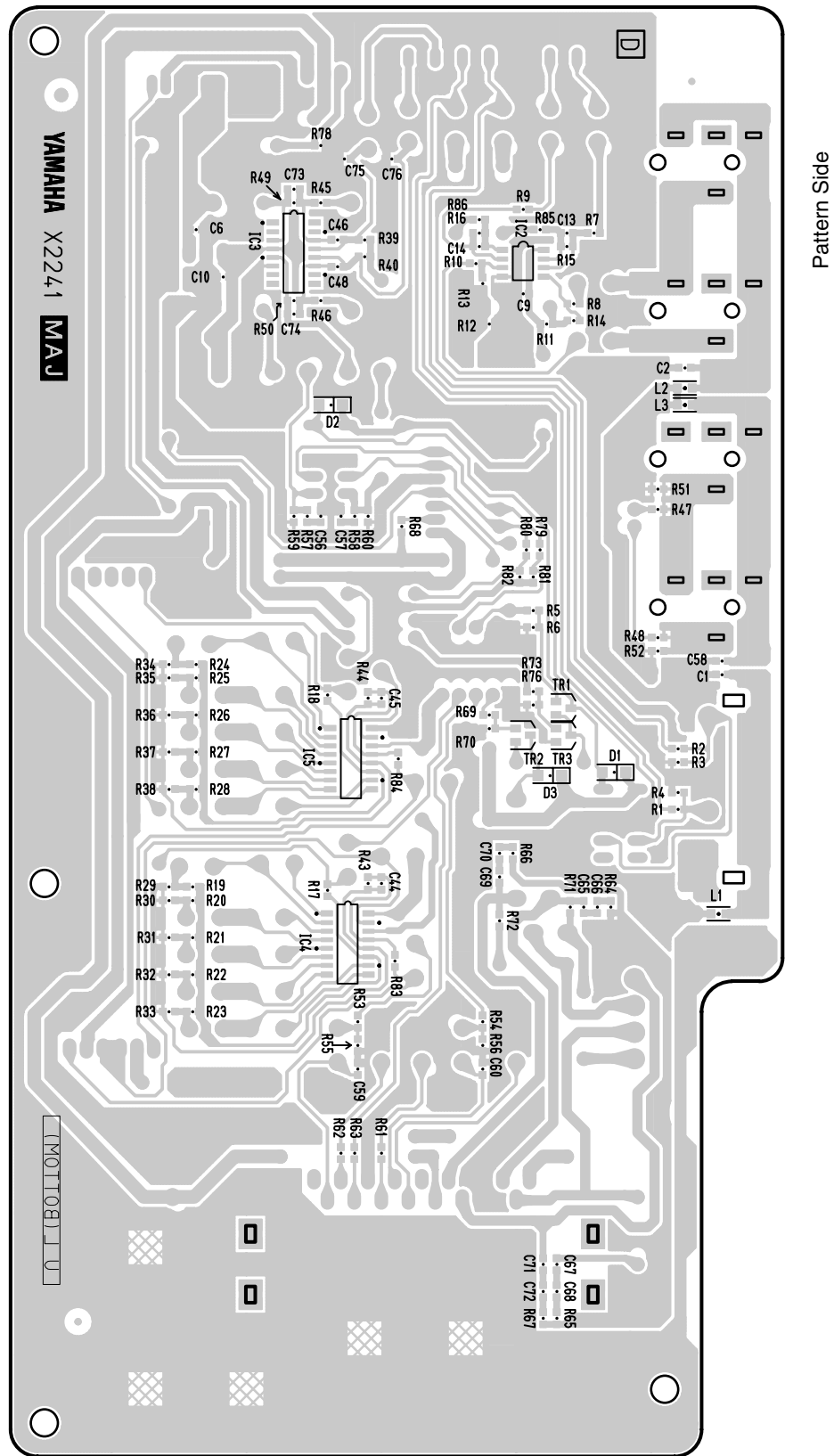
Pattern Side

Note: See parts list for details of circuit board component parts.

• MAJ Circuit Board

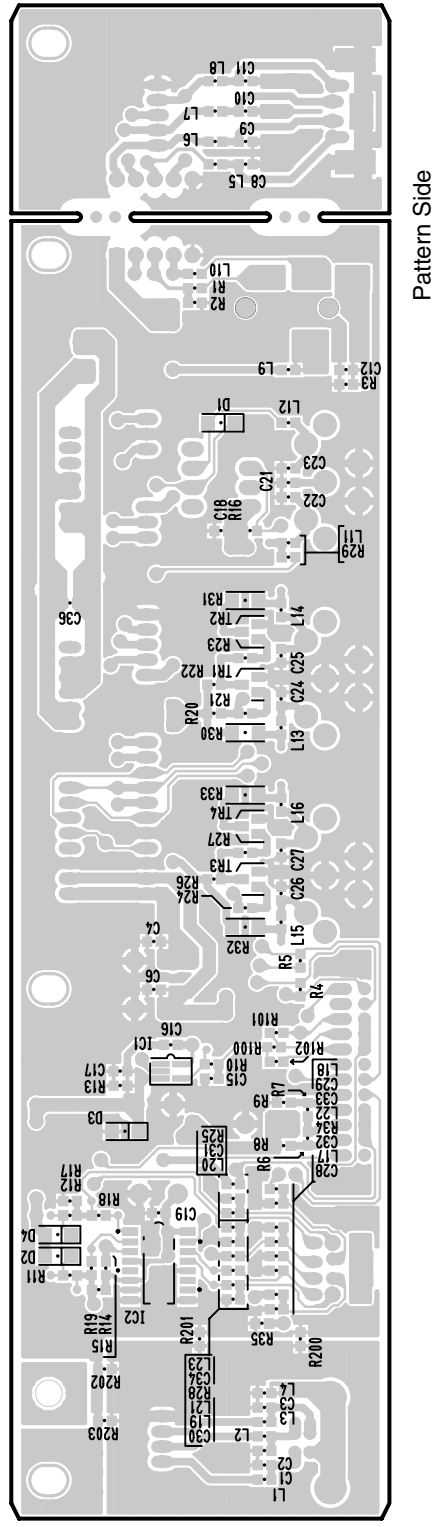
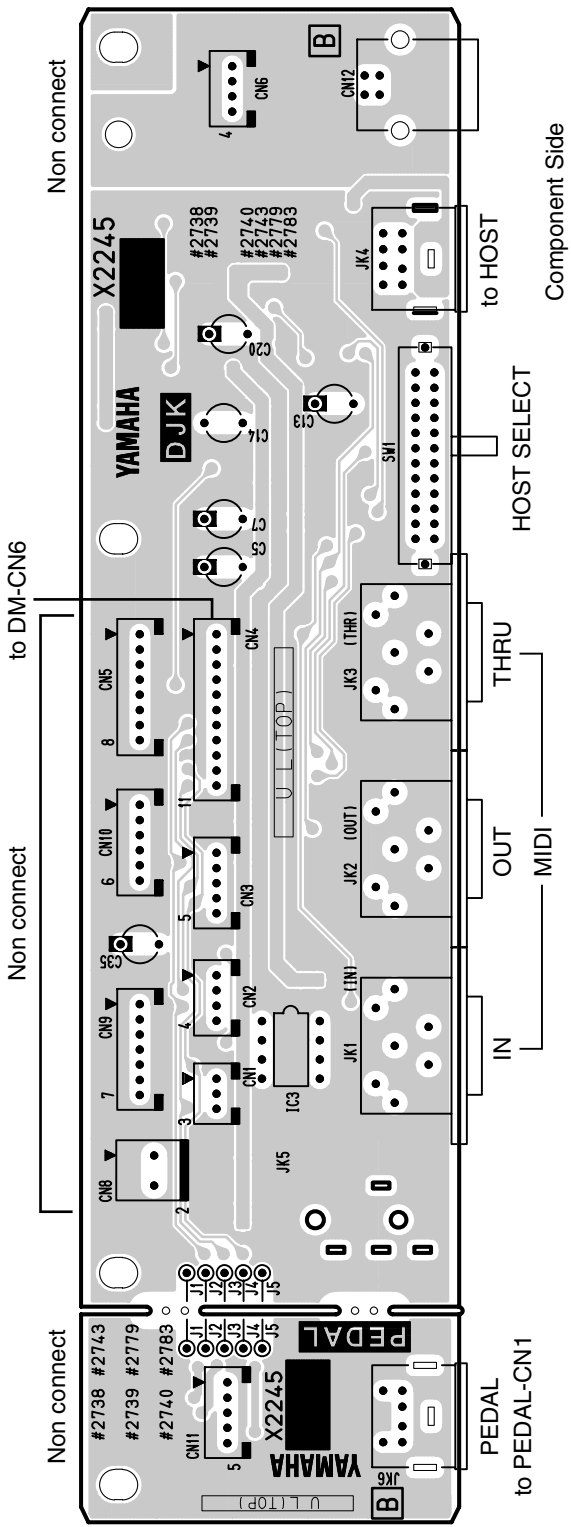


• MAJ Circuit Board



Note: See parts list for details of circuit board component parts.

• DJK Circuit Board

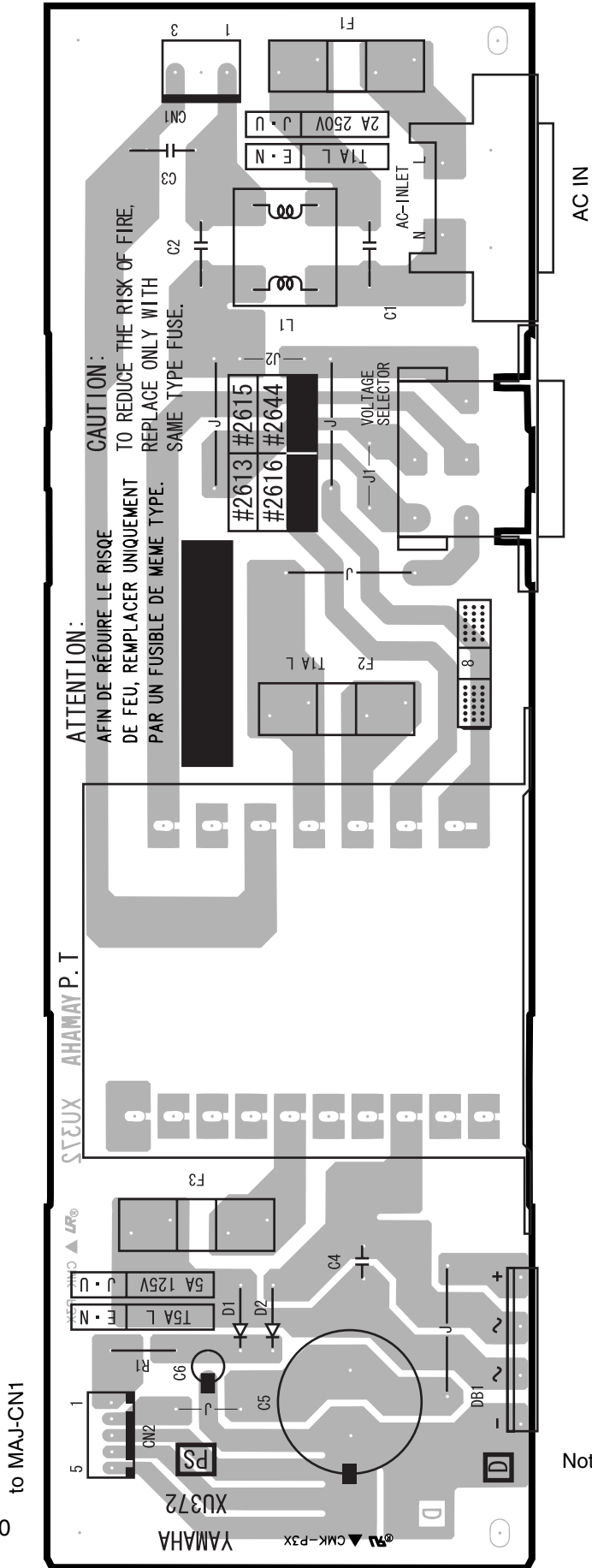


Note: See parts list for details of circuit board component parts.

2NA-V849600

• PS Circuit Board

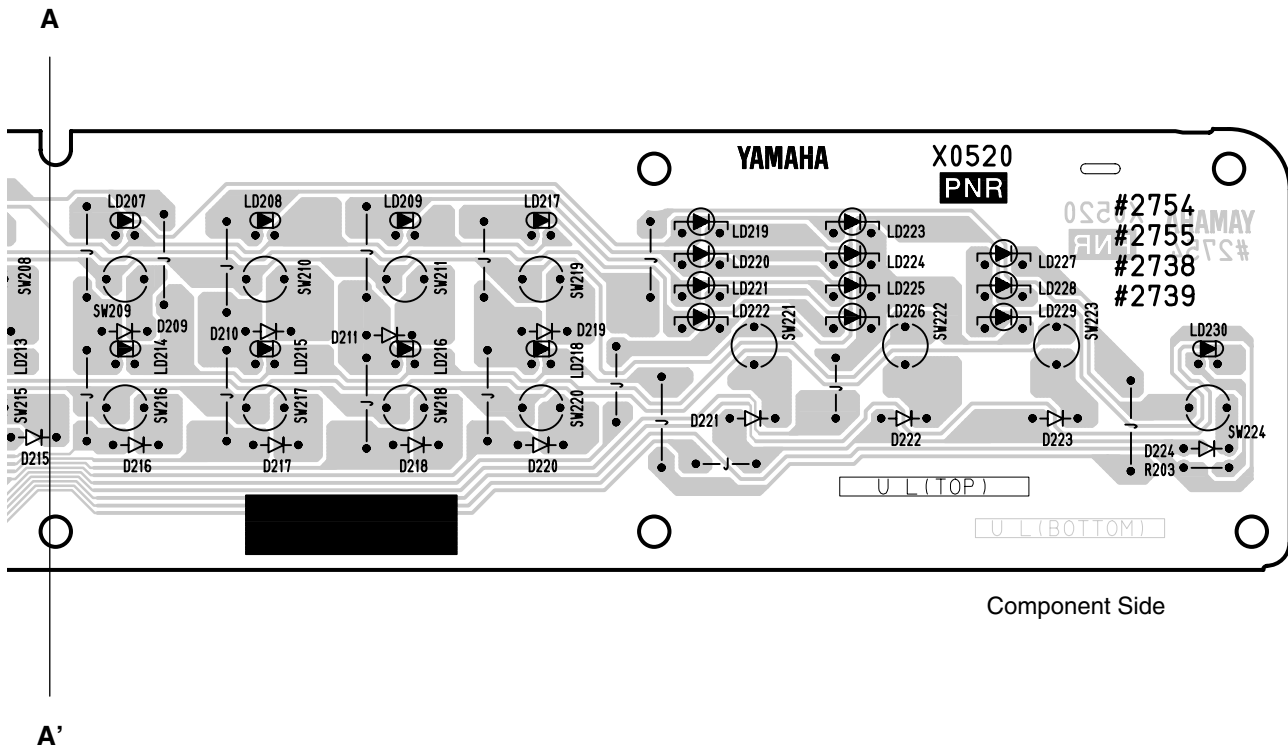
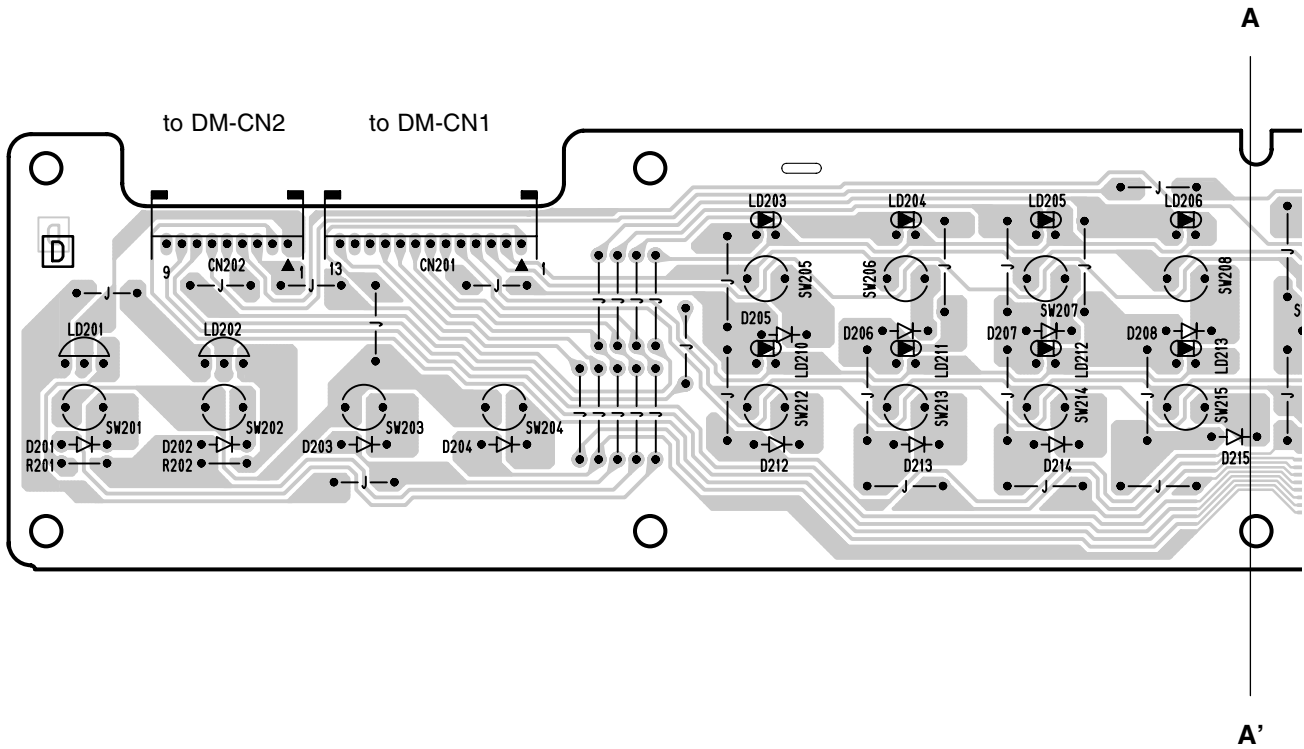
to Power SW



2NA-V001070

Note: See parts list for details of circuit board component parts.

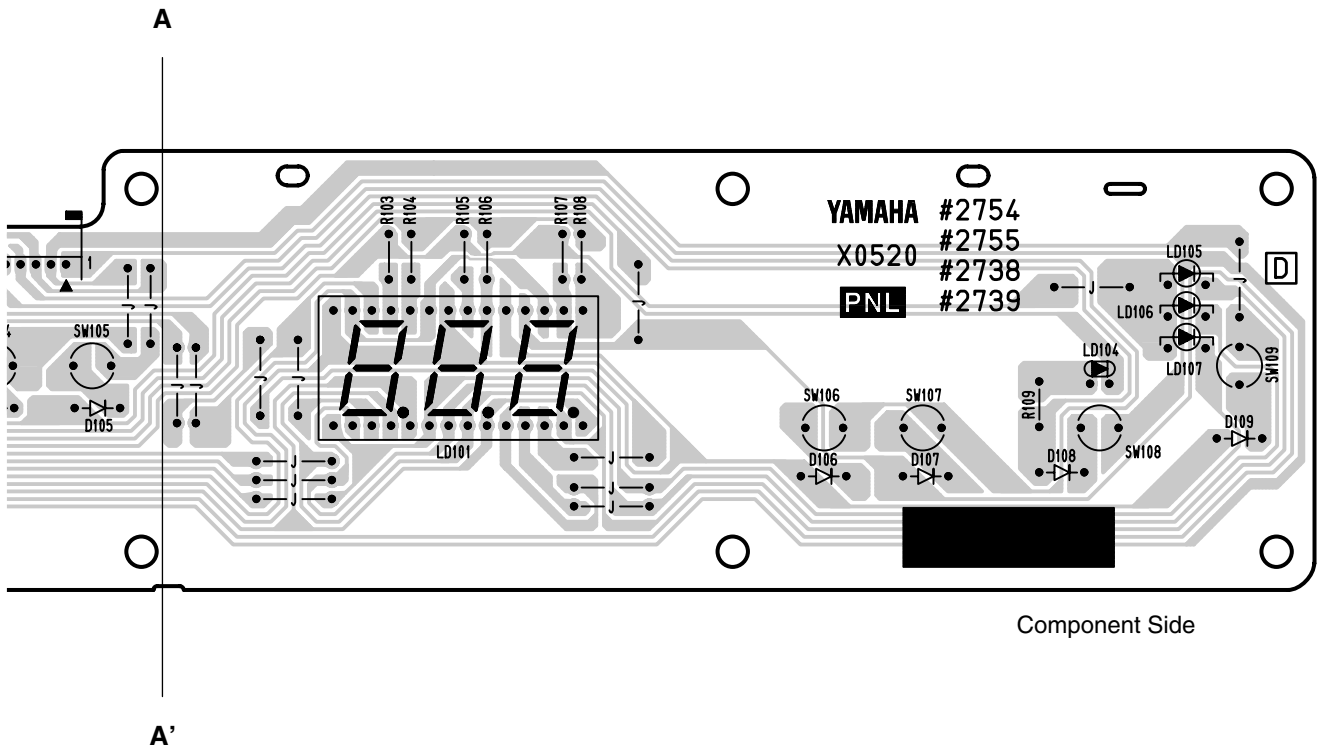
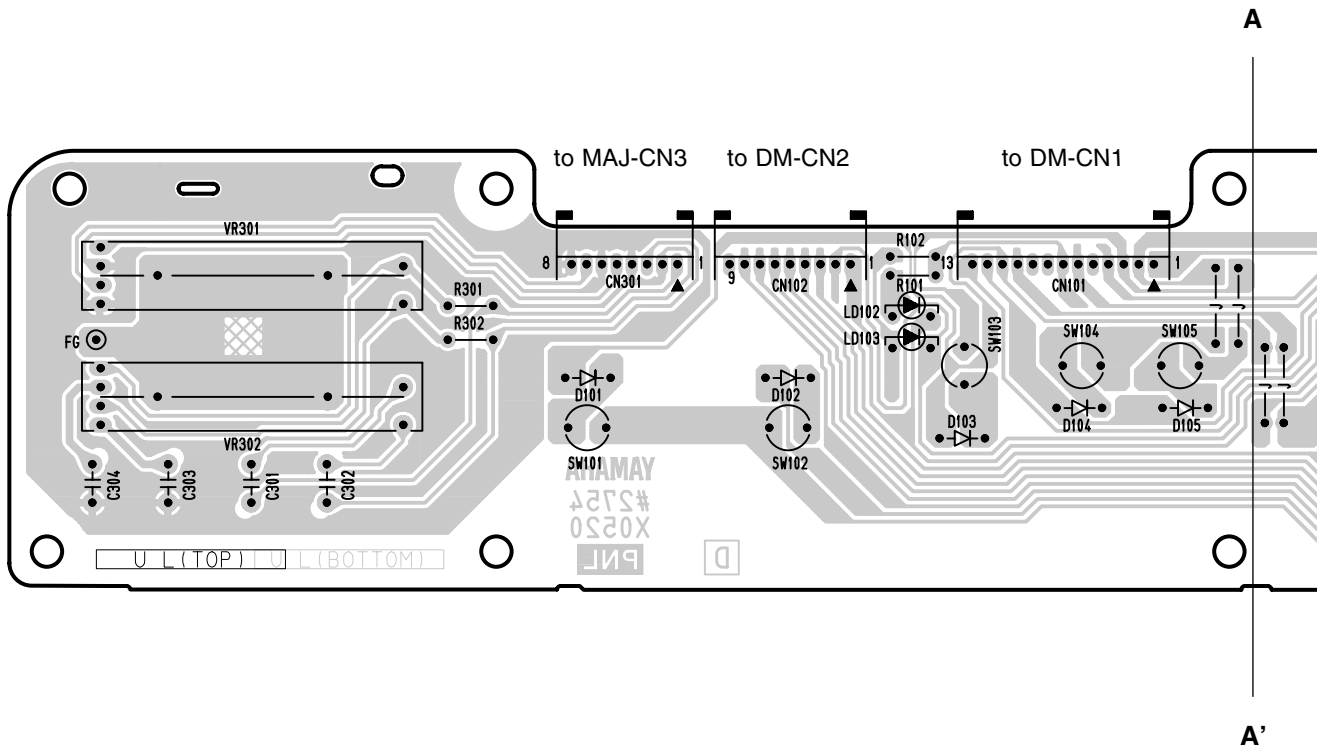
• PNR Circuit Board



Note: See parts list for details of circuit board component parts.

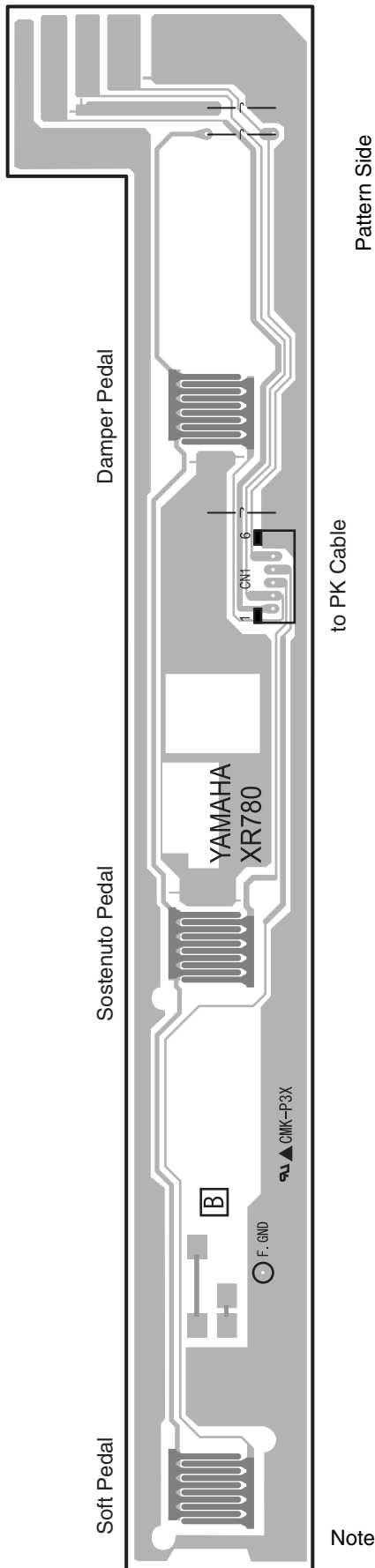
2NA-V849690

• PNL Circuit Board

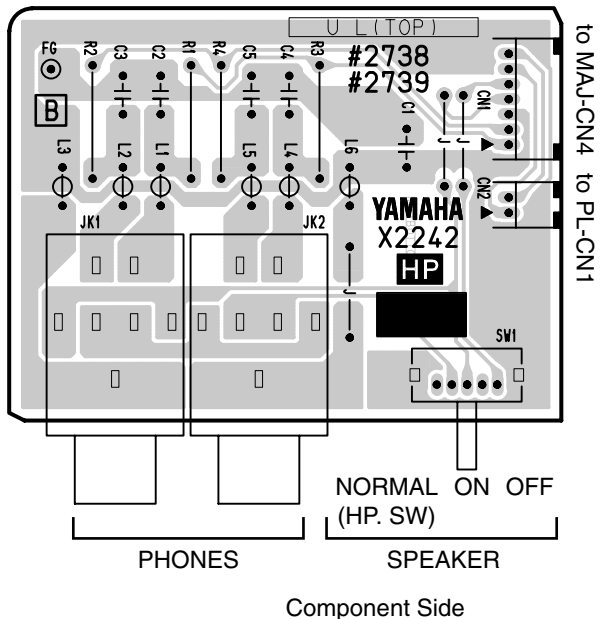


Note: See parts list for details of circuit board component parts.

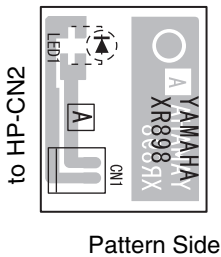
• PEDAL Circuit Board



• HP Circuit Board



• PL Circuit Board



Note: See parts list for details of circuit board component parts.

PEDAL: 2NA-V233730
 HP: 2NA-V858650
 PL: 2NA-VN63760

■ INSPECTION

1. Preparation

- To check the unit, following measuring instruments are required.

Level meter (JIS-C filter)

Frequency counter

- Set each control as follows.

MASTER VOLUME: MAX

BRILLIANCE: CENTER

Voice: GRAND PIANO 1

PEDAL: OFF

REVERB: OFF

SPEAKER ON/OFF switch: NORMAL

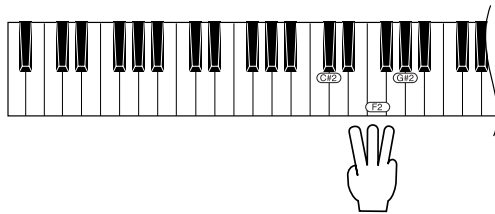
AUX IN, AUX OUT: Connect a load resistance to all terminals. (Load resistance for AUX OUT is 10k Ω)

HEADPHONE: Connect a load resistance (33 Ω) to either terminal.

2. Entering the Test Program

Turn on the power with (C2#), (F2), (G2#) keys pressed and held. (Fig.1)

The test program will run and the 7segment LED will indicate "TST". (Fig.2)



(Fig.1)



(Fig.2)

3. Proceeding the Test

See the Table 1 for the test items.

- Press TEMPO/FUNCTION# [▼] or [▲] button to select a test item.
- Press SONG [START/STOP] button to execute the current test.
- After executing the current test, press SONG [START/STOP] button to return to the wait state.
- If the test result is NG, press [DEMO] button to return to the wait state.

Table 1 Test Items

| No. | 7 segment. LED | Test Function and Judgment criteria | | | | | | | | | | | | |
|-----------------|--|--|-----------------|------------------|-----------------|------------------|-----------|------------------|-----------|------------------|----------|------------------|----------|------------------|
| 1 | <i>F01</i> : Version <i>'P x.x' 'U x.x'</i> | Checks ROM version. Make sure that the 7-seg.LED alternately indicates <i>'P x.x'</i> (version of the program) and <i>'U x.x'</i> (version of the wave). | | | | | | | | | | | | |
| 2 | <i>F02</i> : ROM Check 1 <i>PAS</i> | ROM Check All ROMs on the CPU bus are checked. If the result is OK, 7segment LED indicates <i>'PAS'</i> | | | | | | | | | | | | |
| 3 | <i>F03</i> : RAM Check 1 <i>PAS</i> | RAM Check All RAMs on the CPU bus are checked. If the result is OK, 7segment LED indicates <i>'PAS'</i> | | | | | | | | | | | | |
| 4 | <i>F04</i> : Wave ROM Check1 <i>PAS</i> | Wave ROM Check If the result is OK, 7segment LED indicates <i>'PAS'</i> | | | | | | | | | | | | |
| 11 | <i>F11</i> : TG1 Check <i>F01</i> | Tone Generator 1 Check The sine waves automatically sounds from F3 to C6 in sequence. | | | | | | | | | | | | |
| 12 | <i>F12</i> : TG2 Check <i>F02</i> | Tone Generator 2 Check The sine waves automatically sounds from F3 to C6 in sequence. | | | | | | | | | | | | |
| 13 | <i>F13</i> : Pitch Check <i>P 1F</i> | Pitch Check Confirm that the sine wave of 440.0 ± 0.2 Hz is output. | | | | | | | | | | | | |
| 14 | <i>F14</i> : OUTPUT R <i>OPR</i> | OUTPUT R Check (1kHz) Confirm that the output level of each terminal is as follows. (Unit dBm) <table style="margin-left: 40px; border: none;"> <tr> <td>FIXED AUX OUT/L</td> <td>less than R - 50</td> </tr> <tr> <td>FIXED AUX OUT/R</td> <td>+5.2</td> </tr> <tr> <td>AUX OUT L</td> <td>less than R - 50</td> </tr> <tr> <td>AUX OUT R</td> <td>+5.2</td> </tr> <tr> <td>PHONES L</td> <td>less than R - 40</td> </tr> <tr> <td>PHONES R</td> <td>-3.0</td> </tr> </table> | FIXED AUX OUT/L | less than R - 50 | FIXED AUX OUT/R | +5.2 | AUX OUT L | less than R - 50 | AUX OUT R | +5.2 | PHONES L | less than R - 40 | PHONES R | -3.0 |
| FIXED AUX OUT/L | less than R - 50 | | | | | | | | | | | | | |
| FIXED AUX OUT/R | +5.2 | | | | | | | | | | | | | |
| AUX OUT L | less than R - 50 | | | | | | | | | | | | | |
| AUX OUT R | +5.2 | | | | | | | | | | | | | |
| PHONES L | less than R - 40 | | | | | | | | | | | | | |
| PHONES R | -3.0 | | | | | | | | | | | | | |
| 15 | <i>F15</i> : OUTPUT L <i>OPL</i> | OUTPUT L Check (1kHz) Confirm that the output level of each terminal is as follows. (Unit dBm) <table style="margin-left: 40px; border: none;"> <tr> <td>FIXED AUX OUT/L</td> <td>+5.2</td> </tr> <tr> <td>FIXED AUX OUT/R</td> <td>less than L - 50</td> </tr> <tr> <td>AUX OUT L</td> <td>+5.2</td> </tr> <tr> <td>AUX OUT R</td> <td>less than L - 50</td> </tr> <tr> <td>PHONES L</td> <td>-3.0</td> </tr> <tr> <td>PHONES R</td> <td>less than L - 40</td> </tr> </table> | FIXED AUX OUT/L | +5.2 | FIXED AUX OUT/R | less than L - 50 | AUX OUT L | +5.2 | AUX OUT R | less than L - 50 | PHONES L | -3.0 | PHONES R | less than L - 40 |
| FIXED AUX OUT/L | +5.2 | | | | | | | | | | | | | |
| FIXED AUX OUT/R | less than L - 50 | | | | | | | | | | | | | |
| AUX OUT L | +5.2 | | | | | | | | | | | | | |
| AUX OUT R | less than L - 50 | | | | | | | | | | | | | |
| PHONES L | -3.0 | | | | | | | | | | | | | |
| PHONES R | less than L - 40 | | | | | | | | | | | | | |
| 16 | <i>F16</i> : EQ Low <i>E9L</i> | EQ Low Check (for factory test only) | | | | | | | | | | | | |
| 17 | <i>F17</i> : EQ Mid <i>E9M</i> | EQ Mid Check (for factory test only) | | | | | | | | | | | | |
| 18 | <i>F18</i> : EQ High <i>E9H</i> | EQ High Check (for factory test only) | | | | | | | | | | | | |
| 19 | <i>F19</i> : D/A Noise <i>dA</i> | D/A Noise Check Play any key with the damper pedal pressed and held, and confirm that no D/A noise is generated. | | | | | | | | | | | | |
| 20 | <i>F20</i> : SW, LED Check <i>PAS</i> | Switch, LED Check Making reference to the Table 2 (see p. 39), press the switch corresponding to the number indicated on the 7segment LED. | | | | | | | | | | | | |

| | | |
|----|--|--|
| | | <p>If the correct switch is pressed, the sine wave sounds on the pitch shown in the Table 2 and the 7segment LED indicates the next number.</p> <p>In addition, the LED lights up as for the LED-attached switch.</p> <p>If the wrong switch is pressed, the 7segment LED indicates 'nU'.</p> <p>After the last switch is checked, the 7segment LED indicates 'PAS'.</p> |
| 21 | <i>F21</i> : All LED ON <i>888</i> | <p>All LED ON Check</p> <p>Confirm that all LEDs on the panel light up.</p> |
| 31 | <i>F31</i> : Soft Pedal Check <i>PE1</i> <i>5tr</i> <i>PAS</i> | <p>Soft Pedal Check</p> <p>When the soft pedal is depressed, the sine wave of C3 sounds and 7segment LED indicates '5tr'.</p> <p>When the pedal is released, the sine wave of C4 sounds and 7segment LED indicates 'PAS'.</p> |
| 32 | <i>F32</i> : Sostenuto Pedal Check <i>PE2</i> <i>5tr</i> <i>PAS</i> | <p>Sostenuto Pedal Check</p> <p>When the sostenuto pedal is depressed, the sine wave of C3 sounds and 7segment LED indicates '5tr'.</p> <p>When the pedal is released, the sine wave of C4 sounds and 7segment LED indicates 'PAS'.</p> |
| 33 | <i>F33</i> : Damper Pedal Check <i>PE3</i> <i>5tr</i> <i>PAS</i> | <p>Damper Pedal Check</p> <p>When the damper pedal is depressed, the sine wave of C3 sounds and 7segment LED indicates '5tr'.</p> <p>When the pedal is released, the sine wave of C4 sounds and 7segment LED indicates 'PAS'.</p> |
| 37 | <i>F37</i> : MIDI Check <i>PAS</i> | <p>MIDI Check</p> <p>Connect MIDI IN and MIDI OUT terminal by a MIDI cable and execute the test.</p> <p>Confirm that the 7segment LED indicates 'PAS'.</p> |
| 38 | <i>F38</i> : To Host Check <i>PAS</i> | <p>TO HOST Check</p> <p>Short-circuit pin3 and pin5, pin6 and pin8 of TO HOST terminal respectively and execute the test.</p> <p>Select the position of HOST SELECT switch according to the 7segment LED display, and confirm that the following note sounds and 7segment LED indicates 'PAS'.</p> <p>PC-1 position: C3, PC-2 position: C4, MAC position: C5</p> |
| 41 | <i>F41</i> : ROM Check2 | ROM Check 2 (for factory test only) |
| 42 | <i>F42</i> : RAM Check2 | RAM Check 2 (for factory test only) |
| 43 | <i>F43</i> : Wave ROM Check2 | Wave ROM Check 2 (for factory test only) |
| 46 | <i>F46</i> : Backup Check2 | Backup Check 2 (for factory test only) |
| 47 | <i>F47</i> : Factory Set <i>FAC</i> | <p>Factory</p> <p>Initializes all RAMs to the factory preset data.</p> |
| 48 | <i>F48</i> : Test Exit | Exit the test program and return to the play mode. |

Note: 0dBm = 0.775V

• Table 2

| SW No. | SWITCH | NOTE | LED |
|--------|----------------|------|-----|
| S01 | DEMO | C3 | |
| S02 | METRONOME | C#3 | |
| S03 | TEMPO/FUNCTION | D3 | ○ |
| S04 | TEMPO ▼ | D#3 | |
| S05 | TEMPO ▲ | E3 | |
| S06 | -/NO | F3 | |
| S07 | +/YES | F#3 | |
| S08 | PRESET | G3 | ○ |
| S09 | TRACK1 | G#3 | ○ |
| S10 | TRACK2 | A3 | ○ |
| S11 | START/STOP | A#3 | |
| S12 | REC | B3 | |
| S13 | GRAND PIANO1 | C4 | ○ |
| S14 | GRAND PIANO2 | C#4 | ○ |
| S15 | E.PIANO1 | D4 | ○ |
| S16 | E.PIANO2 | D#4 | ○ |
| S17 | HARPSICHORD1 | E4 | ○ |
| S18 | HARPSICHORD2 | F4 | ○ |
| S19 | VIBRAPHONE | F#4 | ○ |
| S20 | CHURCH ORGAN1 | G4 | ○ |
| S21 | CHURCH ORGAN2 | G#4 | ○ |
| S22 | JAZZ ORGAN | A4 | ○ |
| S23 | STRINGS1 | A#4 | ○ |
| S24 | STRINGS2 | B4 | ○ |
| S25 | CHOIR | C5 | ○ |
| S26 | GUITAR | C#5 | ○ |
| S27 | REVERB | D5 | ○ |
| S28 | EFFECT | D#5 | ○ |
| S29 | TOUCH | E5 | ○ |
| S30 | TRANSPOSE | F5 | ○ |

■ MIDI IMPLEMENTATION CHART

YAMAHA [Clavinova]
Model: CLP-130/120

MIDI Implementation Chart

Date: 24-OCT-2001
Version: 1.0

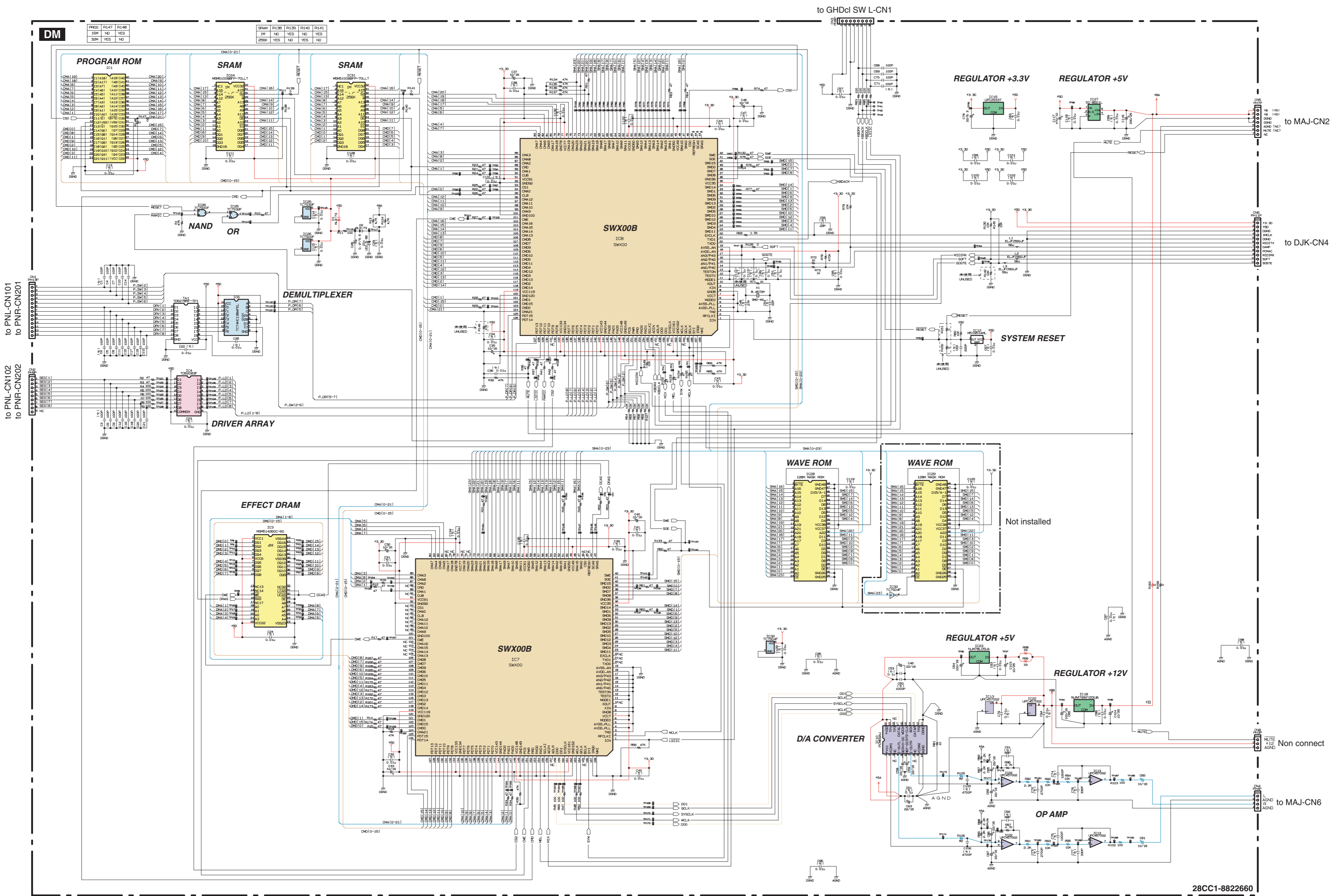
| Function | | Transmitted | Recognized | Remarks |
|---|---|--------------------------------------|--|--|
| Basic Channel | Default Changed | 1 1 - 16 | 1 1 - 16 | |
| Mode | Default Messages Altered | 3 X ***** | 1 X X | *1 Poly Mode only |
| Note Number | : True voice | 9 - 120 ***** | 0 - 127 0 - 127 | |
| Velocity | Note ON Note OFF | ○ 9nH, v=1 - 127 ○ 9nH, v=0 | ○ 9nH, v=1 - 127 ○ 9nH, v=0 or 8nH | |
| After Touch | Key s Ch s | X X | X X | |
| Pitch Bender | | X | X | |
| Control Change | 0, 32 7 11 64 66 67 91 94 | ○ ○ ○ ○ ○ ○ ○ ○ | ○ ○ ○ ○ ○ ○ ○ ○ | Bank Select Volume Expression Damper Sostenuto Soft pedal Reverb Depth Effect Depth |
| Program Change | : True # | ○ ***** | ○ | |
| System Exclusive | | ○ | ○ | |
| Common | : Song Position : Song Select : Tune | X X X | X X X | |
| System Real Time | : Clock : Commands | ○ ○ | ○ ○ | |
| Aux Messages | : All sounds off : Reset All Controllers : Local ON/OFF : All Notes OFF : Active Sense : Reset | ○ ○ X ○ ○ X | ○ (120, 126, 127) ○ (121) ○ (122) ○ (123 - 125) ○ X | |
| Notes : *1 = Recieve Mode is always multi timbre and Poly mode. | | | | |

Mode 1: OMNI ON, POLY
Mode 3: OMNI OFF, POLY

Mode 2: OMNI ON, MONO
Mode 4: OMNI OFF, MONO

○ : Yes
X : No

CLP-120 CIRCUIT DIAGRAM 1/3 (DM)



28CC1-8822660

- NJM78L05UA(XJ598A00)**
 REGULATOR +5V DM:IC023

 1: OUTPUT
 2: COMMON
 3: INPUT
- SI-850L (XS346A00)**
 REGULATOR +5V DM:IC027

 1: V out
 2: S. switch
 3: GND
 4: L in
 6: V in
- PC2912T-E1(X2091A00)**
 REGULATOR +12V DM:IC018

 1: INPUT
 2: COMMON
 3: OUTPUT
- µPC2933T(XS516A00)**
 REGULATOR +3.3V DM:IC015

 1: V in
 2: GND
 3: V out
- µPC78L05T (XS721A00)**
 REGULATOR +5V DM:IC023

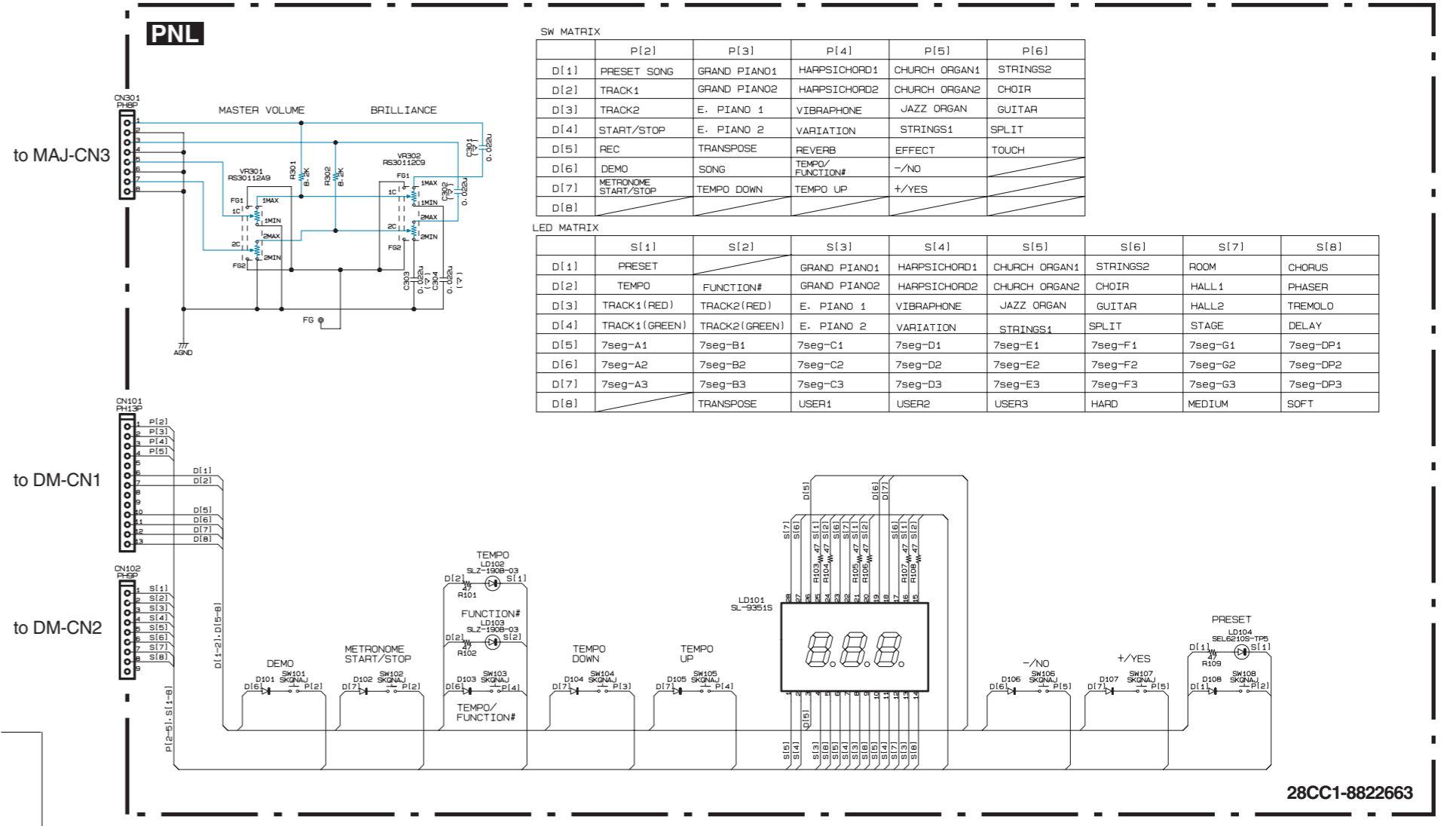
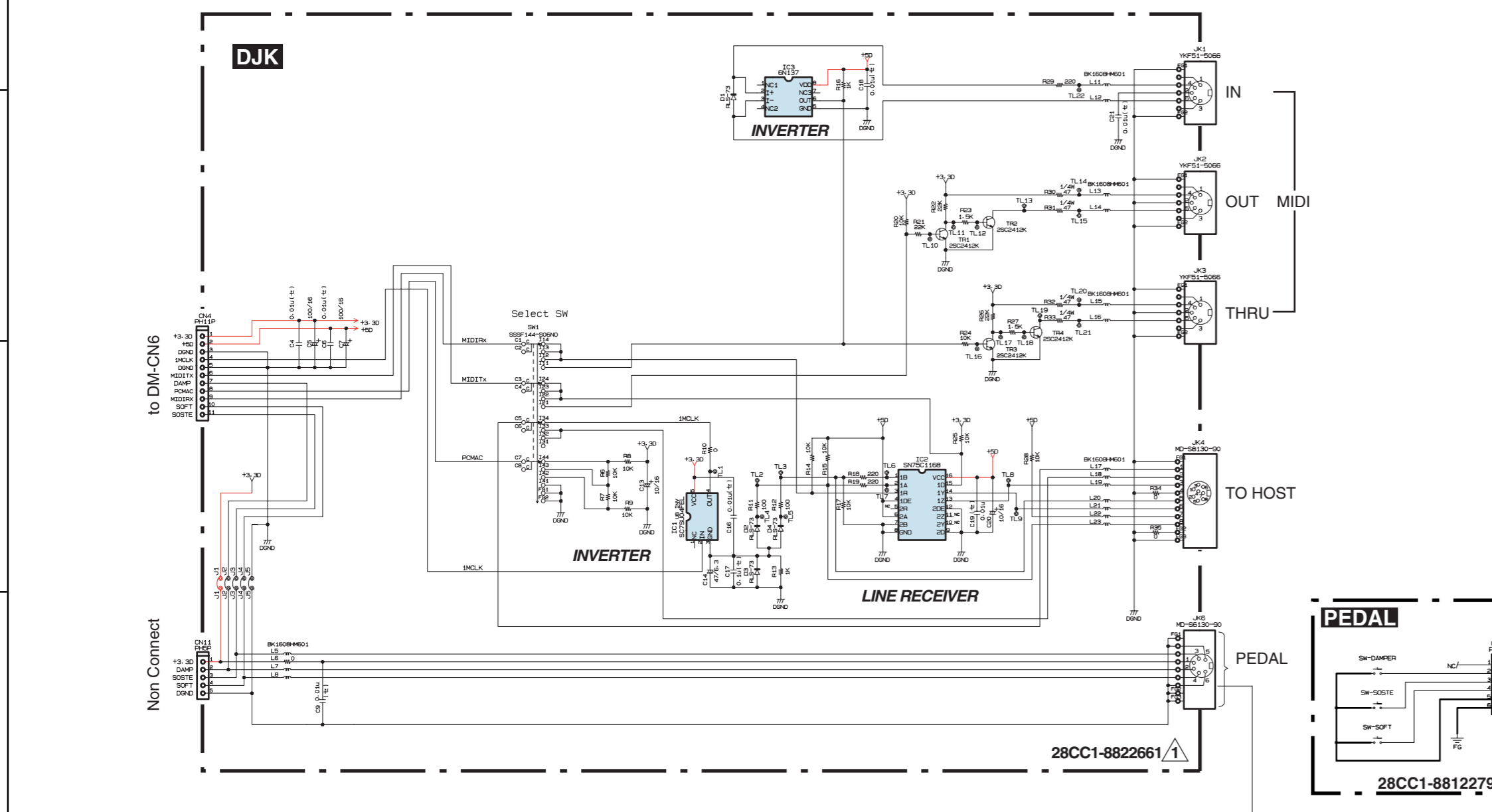
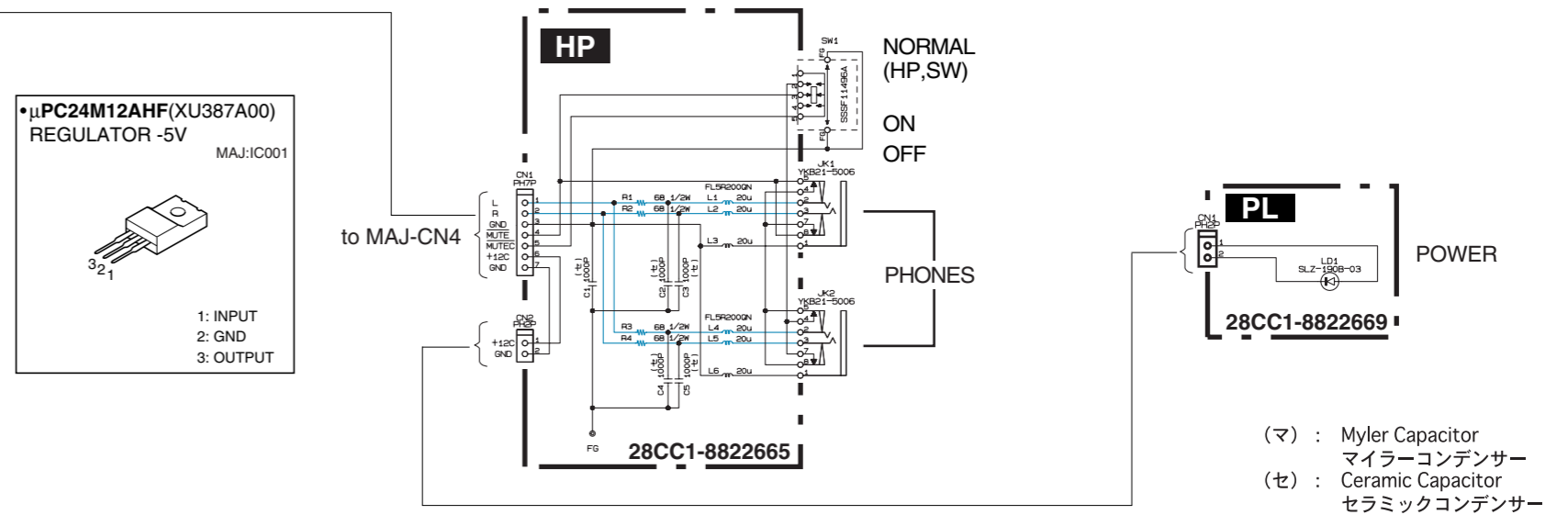
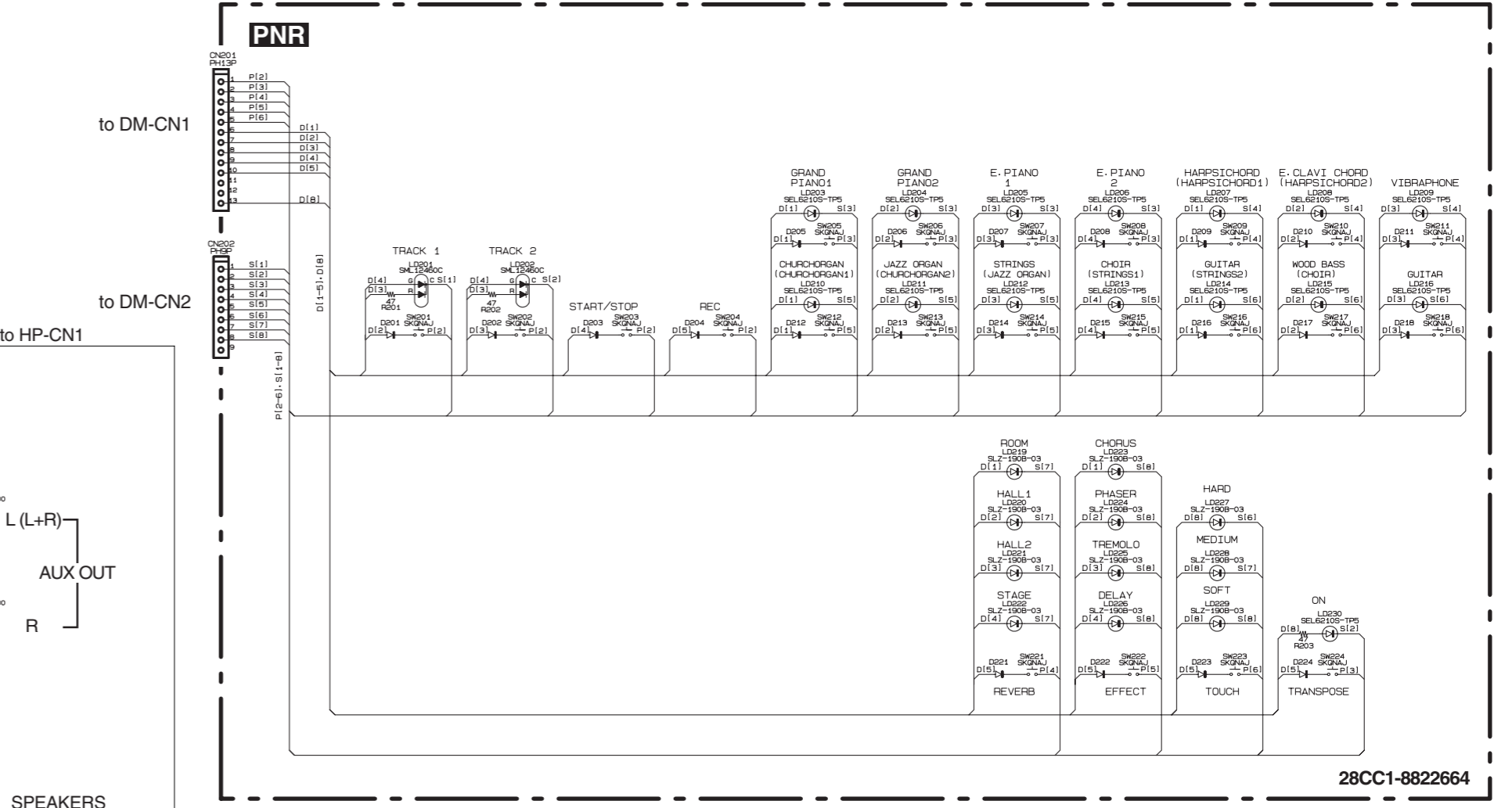
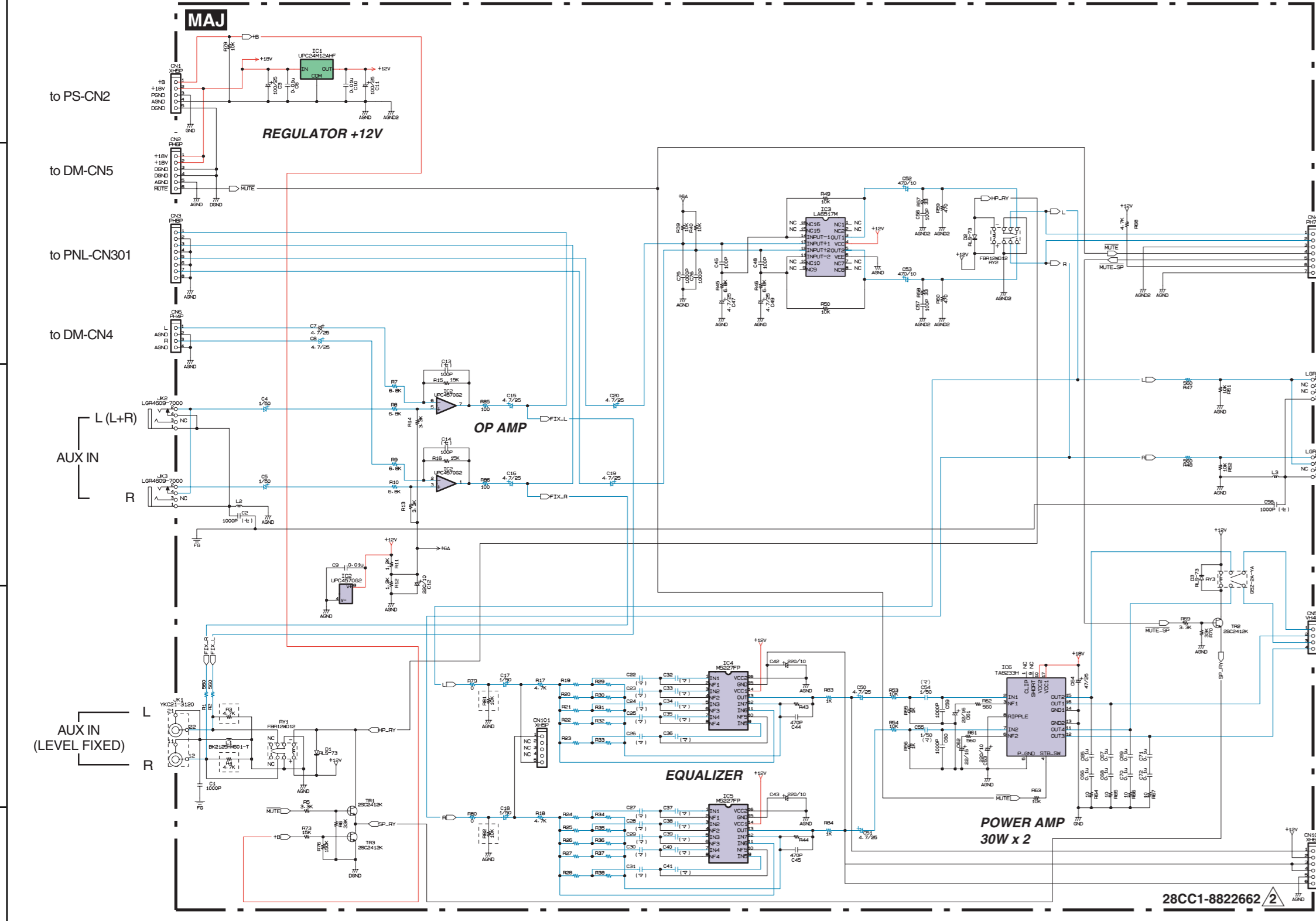
 1: INPUT
 2: GND
 3: OUTPUT
- M51951AML(XR063A00)**
 SYSTEM RESET DM:IC012

 1: SUPPLY VOLTAGE
 2: GND
 3: OUTPUT

(セ) : Ceramic Capacitor
セラミックコンデンサ

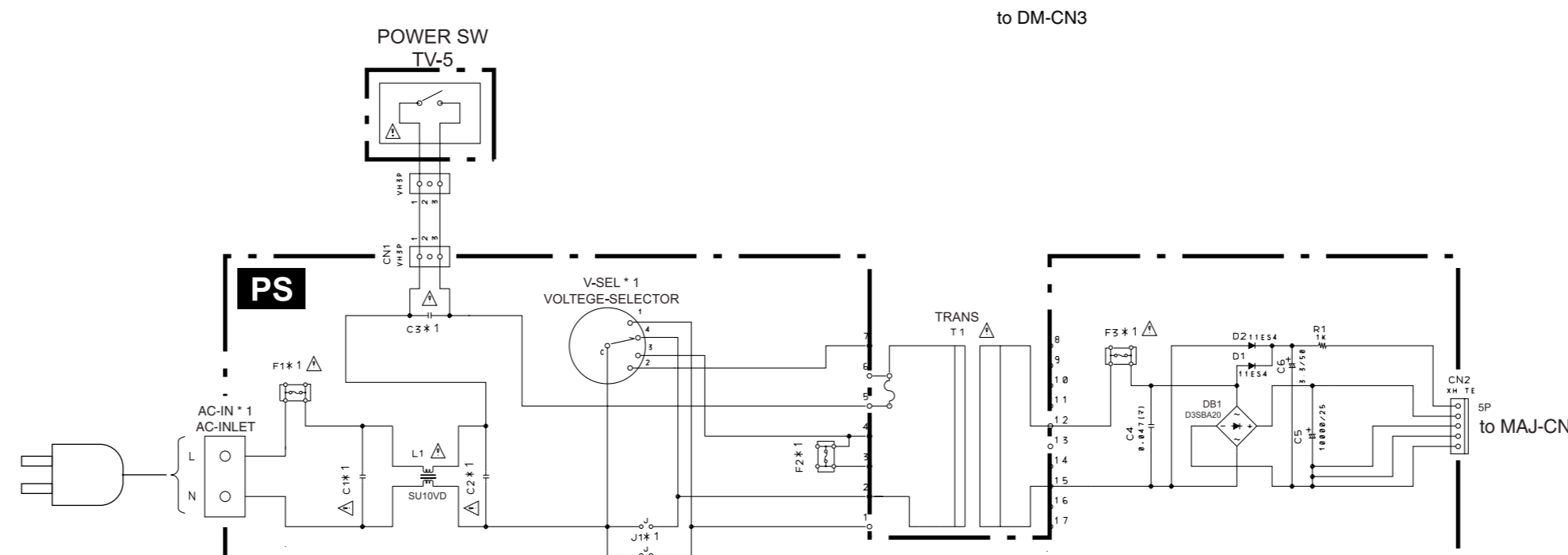
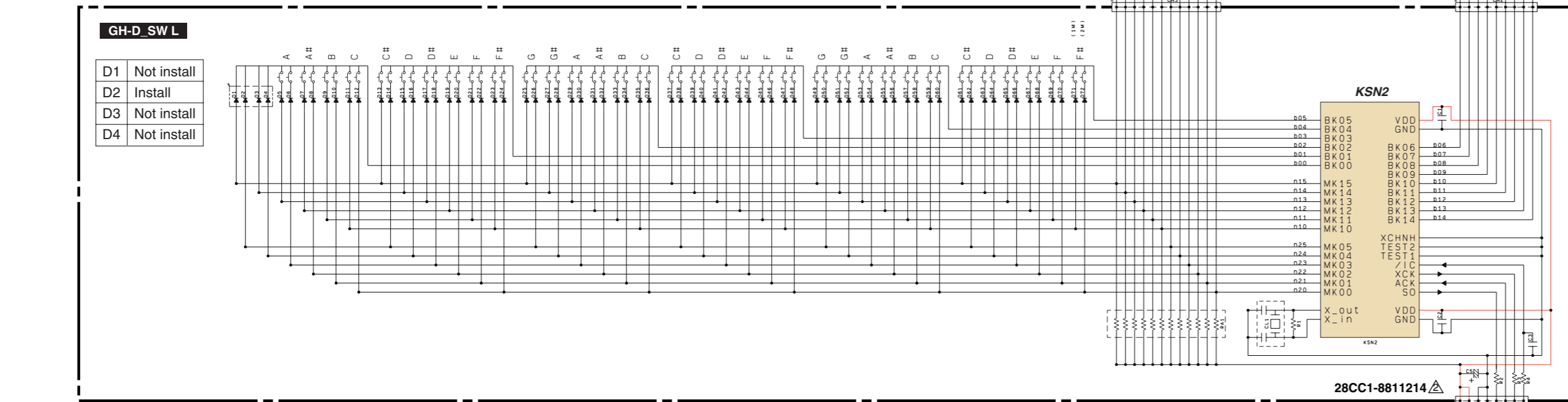
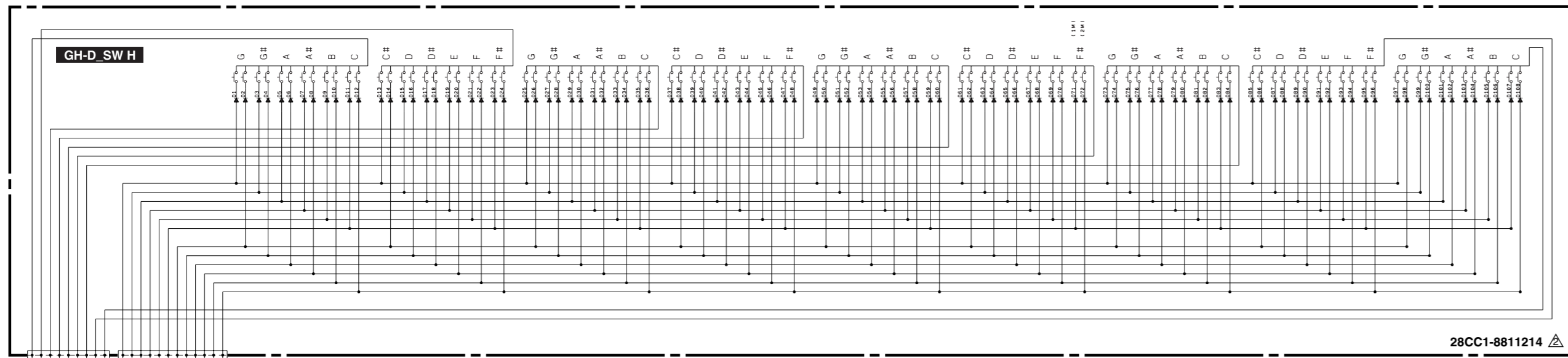
Note: See parts list for details of circuit board component parts.

CLP-120 CIRCUIT DIAGRAM (MAJ, DJK, PNR, PNL, HP, PL, PEDAL)



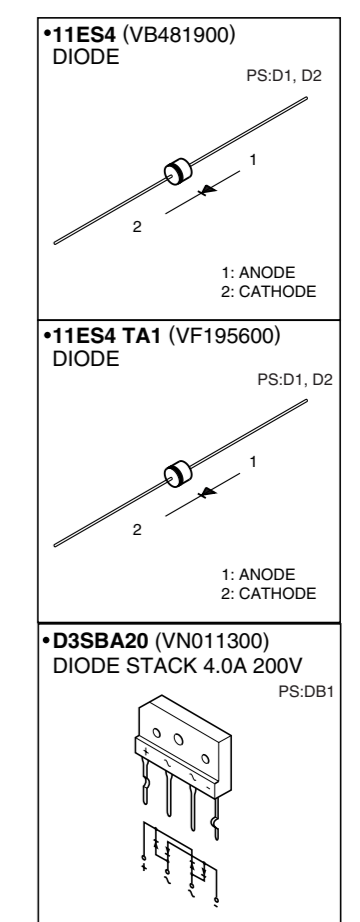
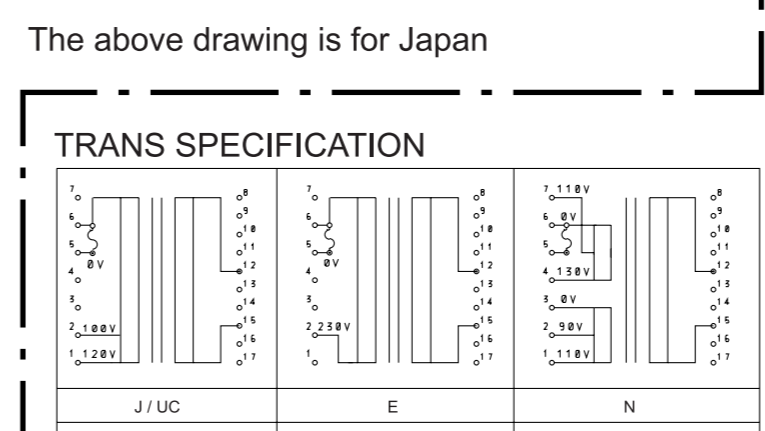
Note: See parts list for details of circuit board component parts.

CLP-120 CIRCUIT DIAGRAM (GH-D_SW H, GH-D_SW L, PS)



*** 1 MODEL SPECIFICATION**

| DESTINATION | J | U / C | E | N |
|-------------|---------------|----------------|----------------|----------------|
| AC-IN | NONPOLARIZED | POLARIZED | NONPOLARIZED | NONPOLARIZED |
| V-SEL | Not installed | Not installed | Not installed | Installed |
| C1,C2 | 0.0047UF | 0.0047UF /125V | 0.0047UF /250V | 0.0047UF /250V |
| C3 | 0.01UF | 0.01UF /125V | 0.01UF /250V | 0.01UF /250V |
| J1 | Installed | Not installed | Installed | — |
| J2 | Not installed | Installed | Not installed | — |
| F1 | 2A | 2A | T1AL | 2A |
| F2 | Not installed | Not installed | Not installed | T1AL |
| F3 | 5A | 5A | T5AL | T5AL |



(セ) : Ceramic Capacitor
セラミックコンデンサー
Note: See parts list for details of circuit board component parts.

WARNING
Components having special characteristics are marked Δ, and must be replaced with parts having specification equal to those originally installed.

Clavinova[®]

CLP-120

PARTS LIST

■ CONTENTS

| | | | |
|---------------------------|----|--------------------------|----|
| OVERALL ASSEMBLY | 2 | PANEL ASSEMBLY | 15 |
| MAIN UNIT | 4 | KEY COVER ASSEMBLY | 17 |
| SIDE BOARD ASSEMBLY | 8 | JACK UNIT | 18 |
| PEDAL BOX ASSEMBLY | 9 | HP JACK ASSEMBLY | 18 |
| PEDAL ASSEMBLY | 10 | POWER SUPPLY UNIT | 19 |
| TOP BOARD ASSEMBLY | 11 | KEYBOARD ASSEMBLY | 20 |
| MUSIC REST ASSEMBLY | 12 | BENCH | 22 |
| SIDE COVER ASSEMBLY | 13 | ELECTRICAL PARTS | 23 |
| END BLOCK ASSEMBLY | 14 | | |

Note) DESTINATION ABBREVIATIONS

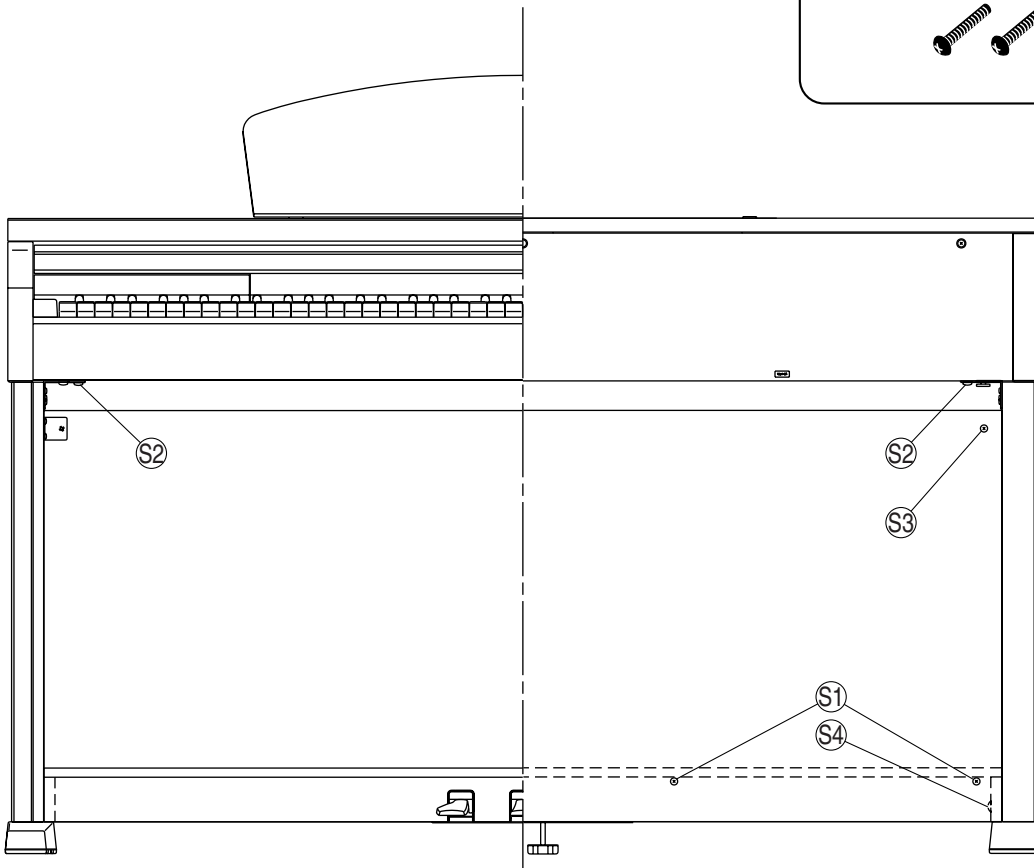
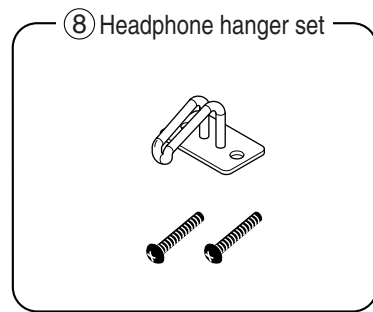
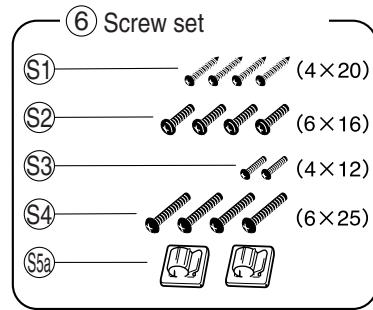
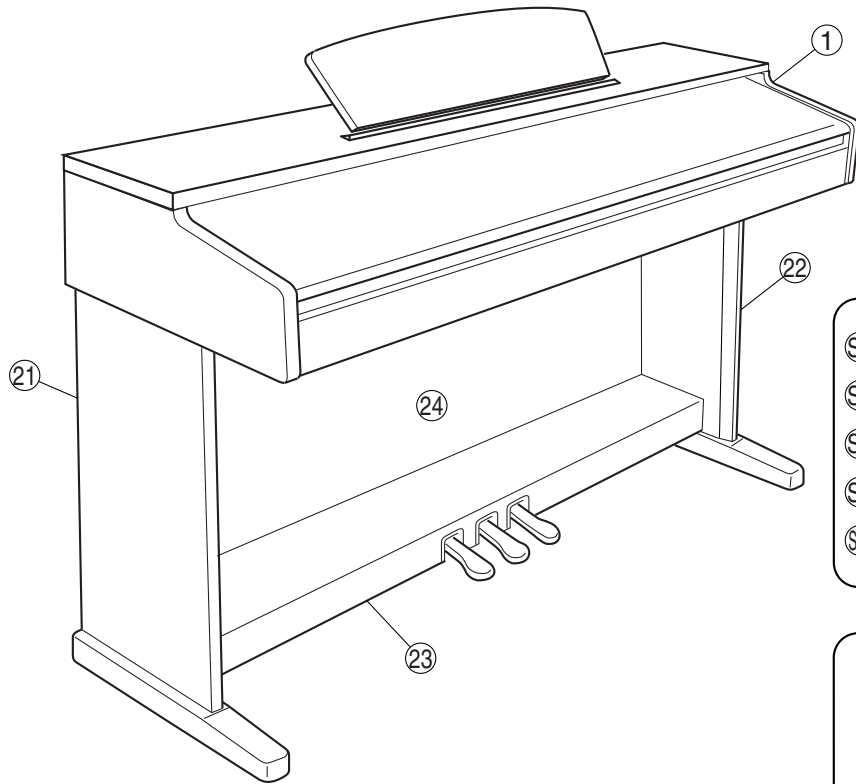
| | |
|-------------------------|--------------------------------|
| A: Australian model | M: South African model |
| B: British model | O: Chinese model |
| C: Canadian model | Q: South-east Asia model |
| D: German model | T: Taiwan model |
| E: European model | U: U.S.A. model |
| F: French model | V: General export model (110V) |
| H: North European model | W: General export model (220V) |
| I: Indonesian model | N,X: General export model |
| J: Japanese model | Y: Export model |
| K: Korean model | |

■ WARNING

Components having special characteristics are marked \triangle and must be replaced with parts having specifications equal to those originally installed.

- The numbers in "QTY" shows quantities for each unit.
- The parts with "--" in "Part No." are not available as spare parts.
- The second letter of the shaded () part number is I, not one.
- The second letter of the shaded () part number is O, not zero.

OVERALL ASSEMBLY



• Front view

• Rear view

| REF NO. | PART NO. | DESCRIPTION | | REMARKS | QTY | RANK |
|---------|-----------------|----------------------------|----------------|--------------------|-----|------|
| | | OVERALL ASSEMBLY | | CLP-120 | | |
| | | Overall Assembly | | J (V821590) | | |
| 1 | -- | Overall Assembly | | U (V821600) | | |
| 1 | -- | Overall Assembly | | B (V821610) | | |
| 1 | -- | Overall Assembly | | E (V821620) | | |
| 1 | -- | Overall Assembly | | N (V821630) | | |
| 1 | -- | Overall Assembly | | K (V938580) | | |
| 1 | -- | Main Unit | J | J (V821640) | | |
| 1 | -- | Main Unit | U | U (V821650) | | |
| 1 | -- | Main Unit | E | E,B (V821660) | | |
| 1 | -- | Main Unit | N | N (V821670) | | |
| 1 | -- | Main Unit | K | K (V938590) | | |
| 6 | V5283500 | Screw set | | | | 03 |
| 8 | V8740600 | Headphone Hanger Set | | | | |
| 13 | VK726100 | Connector | CCT5902 | N | | 03 |
| 21 | V8217800 | Side Board Assembly-L | LEFT | | | |
| 22 | V8217900 | Side Board Assembly-R | RIGHT | | | |
| 23 | -- | Pedal Box Assembly | | (V821800) | | |
| 24 | V9503300 | Back Board Set | | | | 14 |
| | | ACCESSORIES | | | | |
| | -- | Bench | BC-100DR | J,U,N, K (V553140) | | |
| | V2916900 | AC Cord Set | J 2P 7A 2.5m | J | | 05 |
| | V2917000 | AC Cord Set | UC 2P 7A 2.44m | U | | 06 |
| | V2917100 | AC Cord Set | E 2P 2.5A 2.5m | E,N | | 05 |
| | VT015700 | AC Cord Set | J 2P 7A 2.5m | J | | 05 |
| | VT015800 | AC Cord Set | U 2P 7A 2.44m | U | | 06 |
| | VT015900 | AC Cord Set | E 2P 2.5m | E,N | | 05 |
| | VT016000 | AC Cord Set | B 2P 2.5m | B | | 08 |
| | V8911300 | AC Cord Set | K 2P 2.5m | K | | |
| | V5771000 | Headphone | 059711 | J | | 07 |
| | V5283500 | Screw Set | | | | 03 |
| S1 | 03747290 | Truss Head Tapping Screw-1 | 4.0X20 MFZN2BL | | 4 | 01 |
| S2 | EG360020 | Bind Head Screw | 6.0X16 MFZN2BL | | 4 | 01 |
| S3 | VP367300 | Truss Head Screw | 4.0X12 MFZN2BL | | 2 | 01 |
| S4 | VQ448400 | Truss Head Screw | 6.0X25 MFZN2BL | | 4 | 01 |
| S5 | VR410300 | Cord Clamp Set | | | | 03 |
| S5a | VP592100 | Cord Clamper | DKN-5B (VHB) | | 2 | 03 |
| | | JIGS | | | | |
| | TX900761 | Hex Wrench | | | | 09 |
| | TX000670 | Rod | | | | 99 |

△

* △

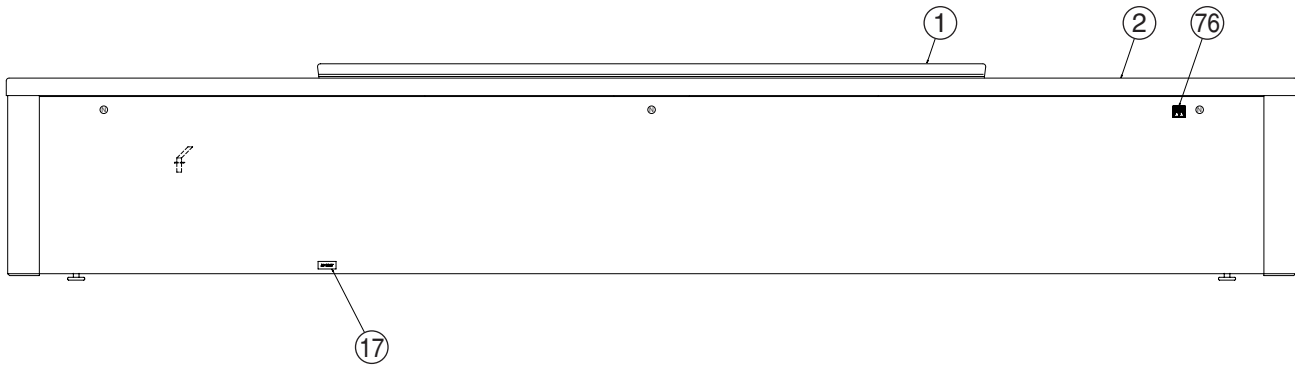
△
△
△
△
△
△
△
△
△

*: New Parts

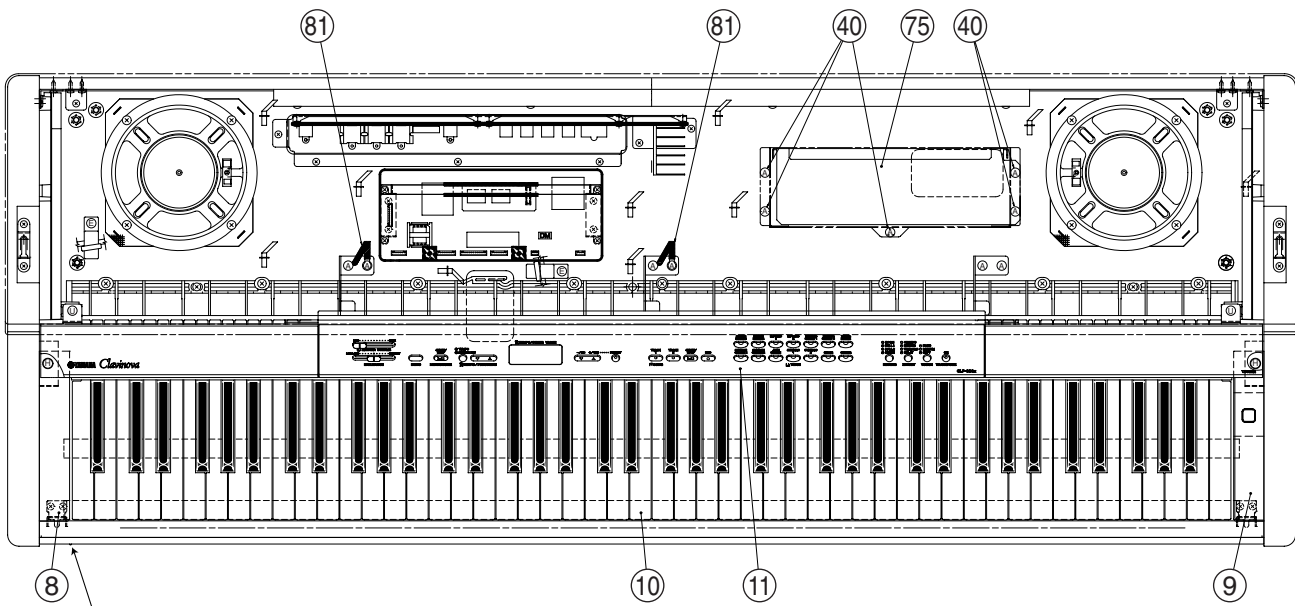
RANK: Japan only

■ MAIN UNIT

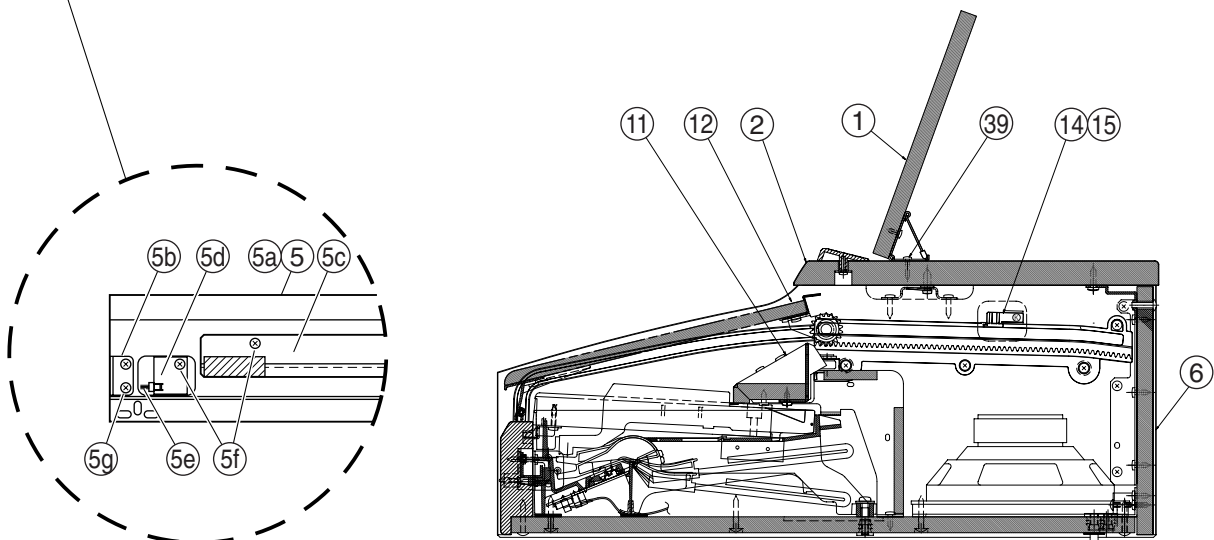
• Rear view



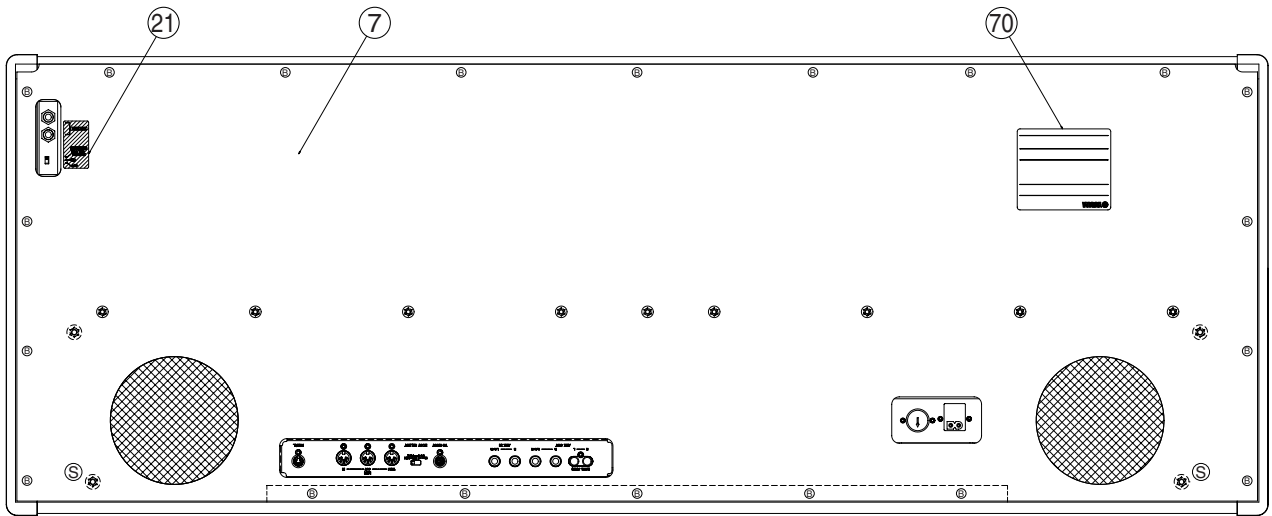
• Top view 1



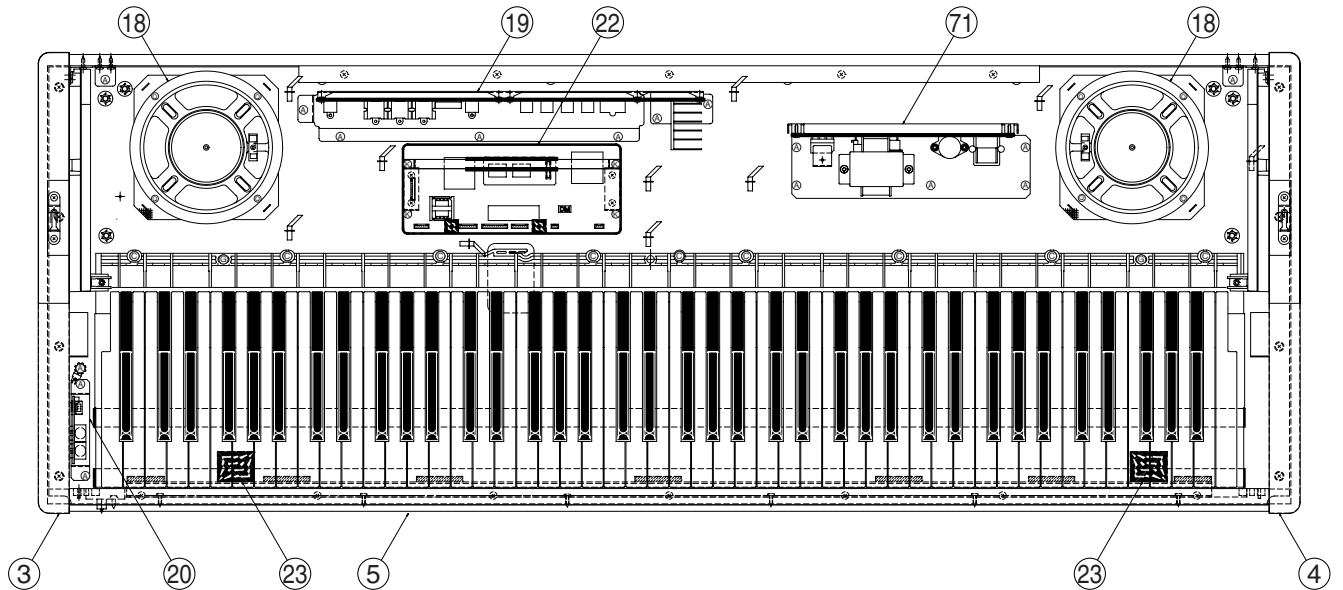
• Side view



• Bottom view



• Top view 2



Screw Set List

| Screw | Ref.No. | Parts No. | Qty |
|-------|---------|--------------------------------------|-----|
| (A) | 40 | Bind Head Tapping Screw-1 (EP030240) | 21 |
| (B) | 41 | Truss Head Tsping Screw-1 (VU952600) | 20 |
| (C) | 42 | Pan Head Screw (VV040700) | 9 |
| (E) | 43 | Truss Head Tsping Screw-1 (EN630230) | 3 |
| (G) | 44 | Bind Head Tapping Screw-1 (EP040230) | 2 |
| (H) | 45 | Truss Head Tsping Screw-1 (VA076400) | 2 |
| (N) | 48 | Truss Head Screw (V6207400) | 3 |
| (Q) | 49 | Truss Head Tsping Screw-1 (20338800) | 8 |
| (S) | 50 | Guide Screw (VN887900) | 2 |
| (U) | 51 | Bind Head Tapping Screw-B (EP640130) | 2 |
| (V) | 52 | Bind Head Tapping Screw-1 (EP030190) | 10 |

| REF NO. | PART NO. | DESCRIPTION | | REMARKS | QTY | RANK |
|---------|-----------------|----------------------------|--------------------|-----------------------|-----------|------|
| | -- | MAIN UNIT | | CLP-120 | | |
| | -- | Main Unit | J | (V821640) | | |
| | -- | Main Unit | U | (V821650) | | |
| | -- | Main Unit | E | (V821660) | | |
| | -- | Main Unit | N | (V821670) | | |
| | -- | Main Unit | K | (V938590) | | |
| | -- | Main Unit Sub Assembly | | (V821820) | | |
| 40 | EP030240 | Bind Head Tapping Screw-1 | 3.5X12 MFZN2Y | U | 3 | 01 |
| 70 | -- | Name Plate | J (YMMA) | J | | |
| 70 | -- | Name Plate | U | (V821840) | | |
| 70 | -- | Name Plate | N | (V821860) | | |
| 70 | -- | Name Plate | E | (V873410) | | |
| 70 | -- | Name Plate | K | (V938290) | | |
| 71 | V0010200 | Power Supply Unit | | J | | 14 |
| 71 | V0010300 | Power Supply Unit | | U | | 14 |
| 71 | V0010400 | Power Supply Unit | | E, B, K | | 14 |
| 71 | V0010500 | Power Supply Unit | | N | | 22 |
| 75 | V2035900 | Cover, Power Supply Unit | | U | | 07 |
| 76 | VB951400 | Graphic Mark | MKX-5 UL | U | | 03 |
| 76 | -- | Graphic Mark | YMMA | U | (V846210) | |
| | -- | Main Unit Sub Assembly | | (V821820) | | |
| * 1 | V8247800 | Music Rest Assembly | | | | |
| * 2 | V8218700 | Top Board Assembly | | | | |
| * 3 | V8218900 | Side Cover Assembly | LEFT | | | |
| * 4 | V8219000 | Side Cover Assembly | RIGHT | | | |
| 5 | -- | Front Rail Assembly | | (V821910) | | |
| 5 | -- | Front Rail Assembly | | DR WRAPPING (V900090) | | |
| * 5a | V8243700 | Front Rail | | | | |
| 5b | -- | Angle, K | 1.6 L | (V526350) | 2 | |
| 5c | -- | Holder Assembly, Keyboard | | (V760310) | | |
| 5d | VN637600 | Circuit Board | PL (YCY) | | | 03 |
| 5d | VU659100 | Circuit Board | PL (YMMA) | | | 03 |
| * 5e | VK099600 | Connector Assembly | 2P-150 KRD-KRD | | | 02 |
| 5f | EP030340 | Bind Head Tapping Screw-1 | 3.5X12 MFZN2BL | | 7 | 01 |
| 5g | EP030260 | Bind Head Tapping Screw-1 | 3.5X16 MFZN2BL | | 4 | 01 |
| * 6 | V8219200 | Back Top Panel Assembly | | | | |
| * 7 | V8219300 | Keybed Assembly | | | | |
| 7a | VA127400 | Nut | B 5.0X12 MFZN2BL | | | 01 |
| 7b | ET200050 | Nut | B 6.0X12.5 MFZN2Y | | | 02 |
| 7c | V9001100 | Nut | TYPE I M 4X L 12.5 | | | 01 |
| 8 | -- | End Block Assembly | LEFT | (V925890) | | |
| 9 | -- | End Block Assembly | RIGHT | (V850380) | | |
| 10 | VZ705400 | Keyboard Assembly | A88 K6 | | | 63 |
| 11 | -- | Panel Assembly | | (V821950) | | |
| * 12 | V8448100 | Key Cover Assembly | | | | |
| 14 | VS312100 | Rack Cover | LEFT | | | 03 |
| 15 | VS312200 | Rack Cover | RIGHT | | | 03 |
| 17 | VT501000 | Label | | | | 03 |
| * 18 | X2423A00 | Speaker | 16.0cm 4ohm 20W | | 2 | |
| 19 | -- | Jack Unit | | (V826580) | | |
| 20 | -- | HP Jack Assembly | | (V851220) | | |
| 21 | -- | Label, HP-PHONES | | (V861670) | | |
| * 22 | V8495500 | Circuit Board | DM | | | |
| 23 | -- | Electric Adhesive Tape | NO.7701 40X20m | (V604530) | | |
| * 25 | V9394600 | Connector Assembly | MK-LF | | | |
| * 26 | V8497800 | Connector Assembly | SP | | | |
| * 28 | V8498000 | Connector Assembly | POWER SUPPLY | | | |
| * 30 | V8497700 | Connector Assembly | SIG | | | |
| 33 | VJ981200 | Connector Assembly | 6P-300 KRD-KRD | | | 04 |
| 35 | VK101600 | Connector Assembly | 11P-150 KRD-KRD | | | 03 |
| * 36 | V9106900 | Connector Assembly | HP-LF | | | |
| 38 | VP834600 | Adhesive Tape | 12X50 | | 6 | 02 |
| 39 | EP030310 | Bind Head Tapping Screw-1 | 3.0X16 MFZN2BL | | 4 | 01 |
| 40 | EP030240 | Bind Head Tapping Screw-1 | 3.5X12 MFZN2Y | | 21 | 01 |
| 41 | VU952600 | Truss Head Tapping Screw-1 | 3.5X30 MFZN2BL | | 20 | 01 |
| 42 | VV040700 | Pan Head Screw | 5.0X25 MFZN2Y PW | | 9 | 01 |
| 43 | EN630230 | Truss Head Tapping Screw-1 | 3.5X14 MFZN2Y | | 3 | 01 |
| 44 | EP040230 | Bind Head Tapping Screw-1 | 4.0X14 MFZN2Y | | 2 | 01 |
| 45 | VA076400 | Truss Head Tapping Screw-1 | 3.5X30 MFZN2Y | | 2 | 01 |

*: New Parts

RANK: Japan only

| REF NO. | PART NO. | DESCRIPTION | | REMARKS | QTY | RANK |
|---------|----------|----------------------------|----------------|---------|-----|------|
| 47 | EP600250 | Bind Head Tapping Screw-B | 3.0X8 MFZN2Y | | 6 | 01 |
| 48 | V6207400 | Truss Head Screw | 4.0X16 MFZN2BL | | 3 | 01 |
| 49 | 20338800 | Truss Head Tapping Screw-1 | 4X20 MFZN2Y | | 8 | 01 |
| 50 | VN887900 | Guide Screw | + 6X14 | | 2 | 03 |
| 51 | EP640130 | Bind Head Tapping Screw-B | 4.0X10 MFZN2Y | | 2 | 01 |
| 52 | EP030190 | Bind Head Tapping Screw-1 | 3.5X16 MFZN2Y | | 10 | 01 |
| 81 | CB817510 | Cord Binder | S-14B | | 2 | 03 |
| 82 | VD947800 | Ferrite Core | ESD-R-25D-B | | | 05 |
| 82 | V3122900 | Ferrite Core | NFT-25 | | | 06 |
| | | | | | | |
| | | | | | | |
| | | | | | | |
| | | | | | | |
| | | | | | | |
| | | | | | | |
| | | | | | | |
| | | | | | | |
| | | | | | | |
| | | | | | | |
| | | | | | | |
| | | | | | | |
| | | | | | | |
| | | | | | | |
| | | | | | | |
| | | | | | | |
| | | | | | | |
| | | | | | | |
| | | | | | | |
| | | | | | | |
| | | | | | | |
| | | | | | | |
| | | | | | | |
| | | | | | | |
| | | | | | | |
| | | | | | | |
| | | | | | | |

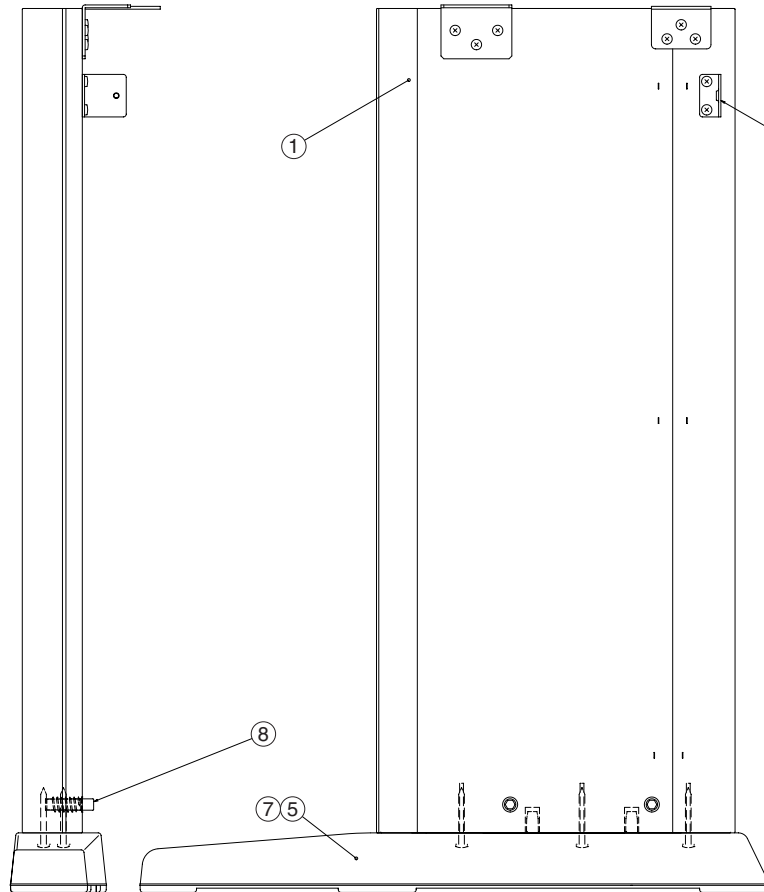
*: New Parts RANK: Japan only

■ SIDE BOARD ASSEMBLY (L, R)

*This figure shows a side cover assembly (L).

● Front view

● Side view



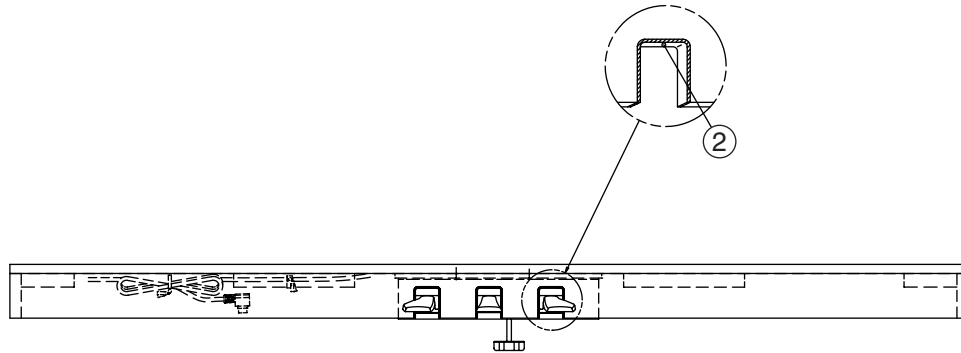
| REF NO. | PART NO. | DESCRIPTION | | REMARKS | QTY | RANK |
|---------|-----------------|---------------------------|----------------|-----------|-----|------|
| * | V8217800 | SIDE BOARD ASSEMBLY | | CLP-120 | | |
| 1 | -- | Side Board Assembly-L | LEFT | | | |
| 2 | VS295500 | Holder, Stand | LEFT | (V823630) | 05 | 04 |
| 3 | VZ885300 | Angle Bracket | 2.0 L MFZN2 | | | |
| 4 | VQ958300 | Holder, Back Board | | | 05 | |
| 5 | V4960400 | Stand Base | LEFT | | 06 | |
| 6 | EP030580 | Bind Head Tapping Screw-1 | 3.5X20 MFZN2BL | | 8 | 01 |
| 7 | V5344700 | Bind Head Tapping Screw-1 | 4.0X40 MFZN2Y | | 3 | 01 |
| 8 | V5251600 | Nut | TYPE M M6XL33 | | 2 | 01 |
| * | V8217900 | Side Board Assembly-R | RIGHT | | | |
| 1 | -- | Side Board | RIGHT | (V823640) | | |
| 2 | VS295600 | Holder, Stand | RIGHT | | 05 | |
| 3 | VZ885300 | Angle Bracket | 2.0 L MFZN2 | | 04 | |
| 4 | VQ958300 | Holder, Back Board | | | 05 | |
| 5 | V5097500 | Stand Base | RIGHT | | 06 | |
| 6 | EP030580 | Bind Head Tapping Screw-1 | 3.5X20 MFZN2BL | | 8 | 01 |
| 7 | V5344700 | Bind Head Tapping Screw-1 | 4.0X40 MFZN2Y | | 3 | 01 |
| 8 | V5251600 | Nut | TYPE M M6XL33 | | 2 | 01 |

*: New Parts

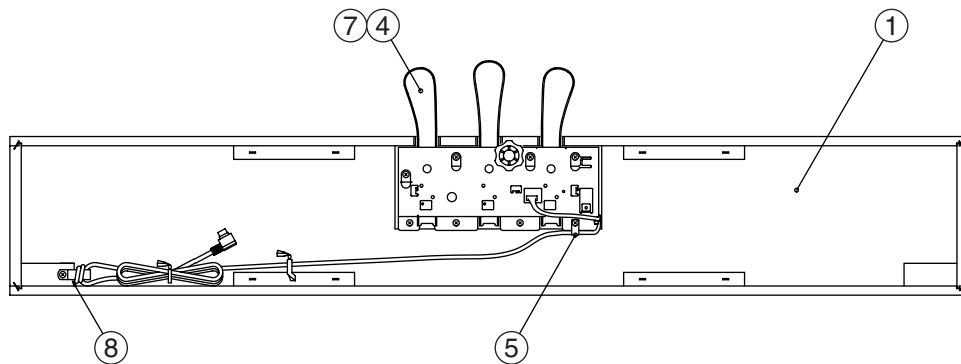
RANK: Japan only

■ PEDAL BOX ASSEMBLY

● Front view



● Bottom view



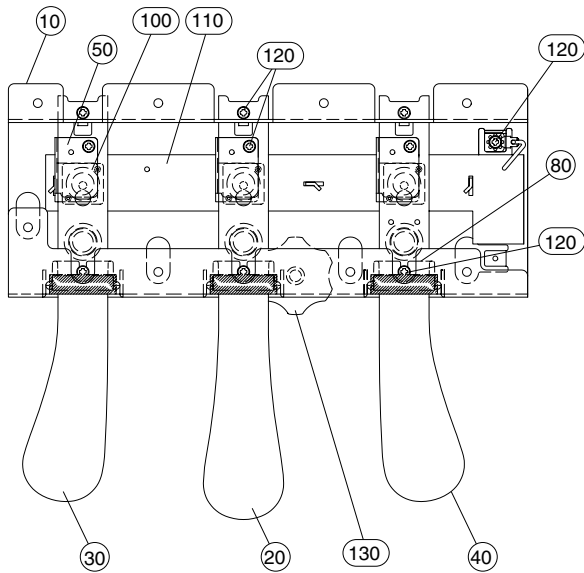
| REF NO. | PART NO. | DESCRIPTION | | REMARKS | QTY | RANK |
|---------|----------|-------------------------------------|---------------|-----------|-----|------|
| | -- | PEDAL BOX ASSEMBLY | | CLP-120 | | |
| | | Pedal Box Assembly | | (V821800) | | |
| * | 1 | V8559500 Pedal Box | | | | |
| | 2 | VU464300 Felt | 115X12X2 RE | | 3 | 03 |
| | 4 | V0053700 Pedal Assembly | 3SW PK-LF | | | 18 |
| | 5 | CB065520 Nylon Clamp | NK-3N | | | 01 |
| | 7 | EP040230 Bind Head Tapping Screw-1 | 4.0X14 MFZN2Y | | 8 | 01 |
| | 8 | EN630260 Truss Head Tapping Screw-1 | 3.5X20 MFZN2Y | | | 01 |
| | | | | | | |
| | | | | | | |
| | | | | | | |
| | | | | | | |

*: New Parts

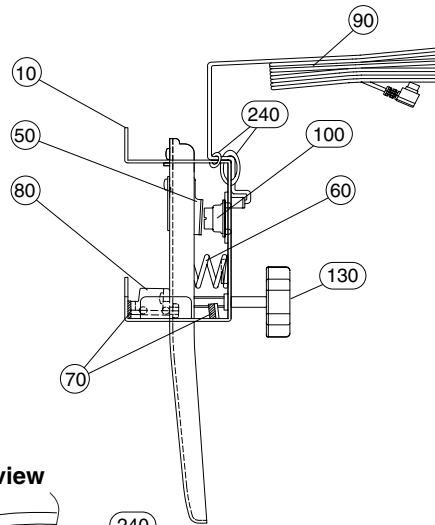
RANK: Japan only

■ PEDAL ASSEMBLY

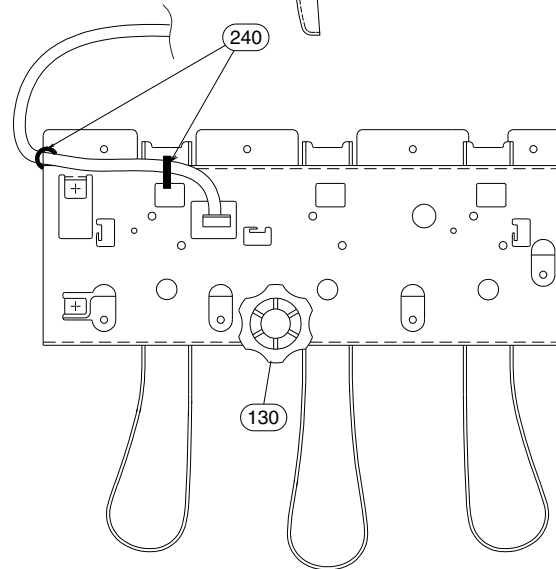
• Top view



• Side view



• Bottom view



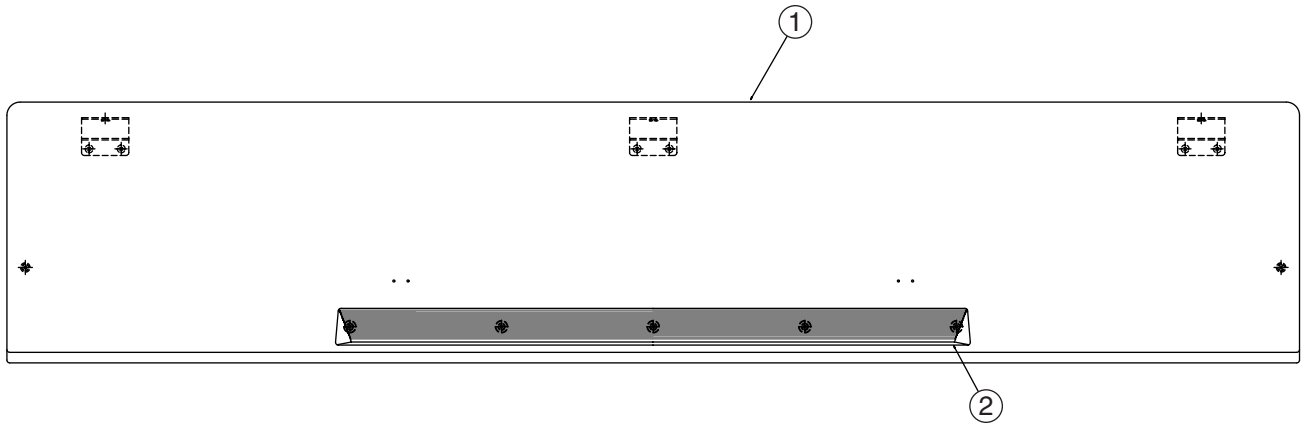
| REF NO. | PART NO. | DESCRIPTION | | REMARKS | QTY | RANK |
|---------|----------|---------------------------|---------------|-----------|-----|------|
| | | PEDAL ASSEMBLY | (I) | CLP-120 | | |
| | V0053700 | Pedal Assembly | 3SW PK-LF | | | 18 |
| 10 | VU339700 | Pedal Frame | | | | 09 |
| 20 | VU362000 | Pedal Piece C | CENTER | SOSTENUTO | | 08 |
| 30 | VU362100 | Pedal Piece L | LEFT | SOFT | | 08 |
| 40 | VU362200 | Pedal Piece R | RIGHT | DAMPER | | 08 |
| 50 | VV433500 | Actuator | PEDAL | | 3 | 03 |
| 60 | VP348100 | Pedal Spring | | | 3 | 03 |
| 70 | VU346500 | Felt | BL | | 6 | 03 |
| 80 | VU339800 | Shutter | PEDAL | | 3 | 03 |
| 90 | V0044700 | Connector Assembly | PK-LF | | | 08 |
| 100 | VU456000 | Rubber Contact | 1 PEDAL | | 3 | 03 |
| 110 | V2337300 | Circuit Board | | | | 07 |
| 120 | EP600190 | Bind Head Tapping Screw-B | 3.0X8 MFZN2BL | | 10 | 01 |
| 130 | VU379700 | Adjuster | | | | 02 |
| 140 | TX920280 | Grease | G-31KA 50g | | | 10 |
| 240 | CB069250 | Cord Holder | BK-1 | | 2 | 01 |

*: New Parts

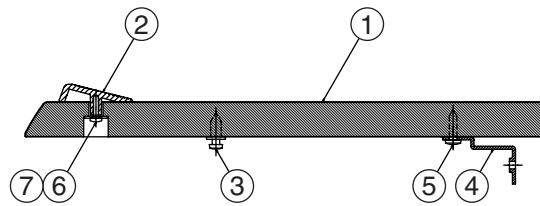
RANK: Japan only

TOP BOARD ASSEMBLY

• Top view



• Side view



| REF NO. | PART NO. | DESCRIPTION | REMARKS | QTY | RANK |
|---------|-----------------|---------------------------|-------------------|-----|------|
| | V8218700 | TOP BOARD ASSEMBLY | CLP-120 | | |
| | | Top Board Assembly | | | |
| 1 | -- | Top Board | (V823660) | | |
| 2 | VY891000 | Stopper Rail, Music Score | | 2 | 12 |
| 3 | VV444100 | Shoulder Screw | | 3 | 03 |
| 4 | VQ485800 | Holder, Top Board | | 3 | 05 |
| 5 | EP040170 | Bind Head Tapping Screw-1 | 4.0X16 MFZN2Y | 6 | 01 |
| 6 | EP600270 | Bind Head Tapping Screw-P | 3.0X10 MFZN2Y | 5 | 01 |
| 7 | VK287600 | Flat Washer | 4.0X12X1.0 MFZN2Y | 5 | 01 |

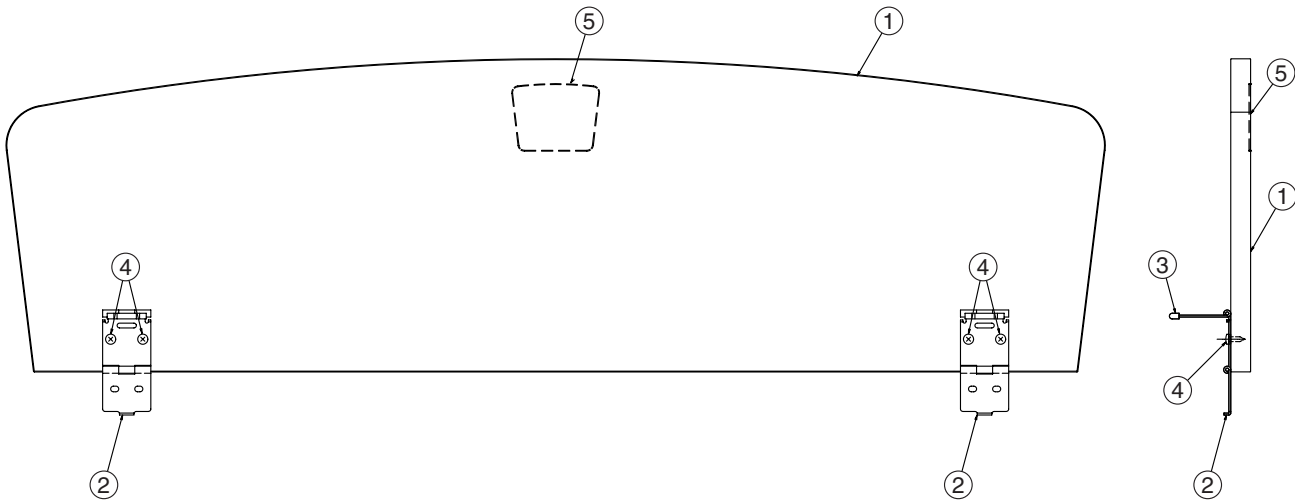
*: New Parts

RANK: Japan only

■ MUSIC REST ASSEMBLY

• Rear view

• Side view



| REF NO. | PART NO. | DESCRIPTION | | REMARKS | QTY | RANK |
|---------|-----------------|---------------------------|------------------|-----------|-----|------|
| * | V8247800 | MUSIC REST ASSEMBLY | | CLP-120 | | |
| 1 | -- | Music Rest Assembly | | (V824790) | | |
| 2 | V8437600 | Hinge | 1STEP 1.6mm YMMA | | 2 | |
| 3 | VV965900 | Hinge Cap | T=1.6mm | | 2 | 03 |
| 4 | 20404200 | Bind Head Tapping Screw-1 | 3.0X10 MFZN2BL | | 4 | |
| 5 | V5782300 | Badge | BRASS | | | 05 |
| | | | | | | |
| | | | | | | |
| | | | | | | |
| | | | | | | |

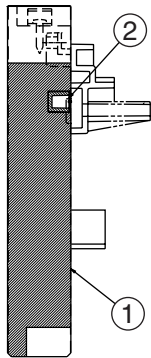
*: New Parts

RANK: Japan only

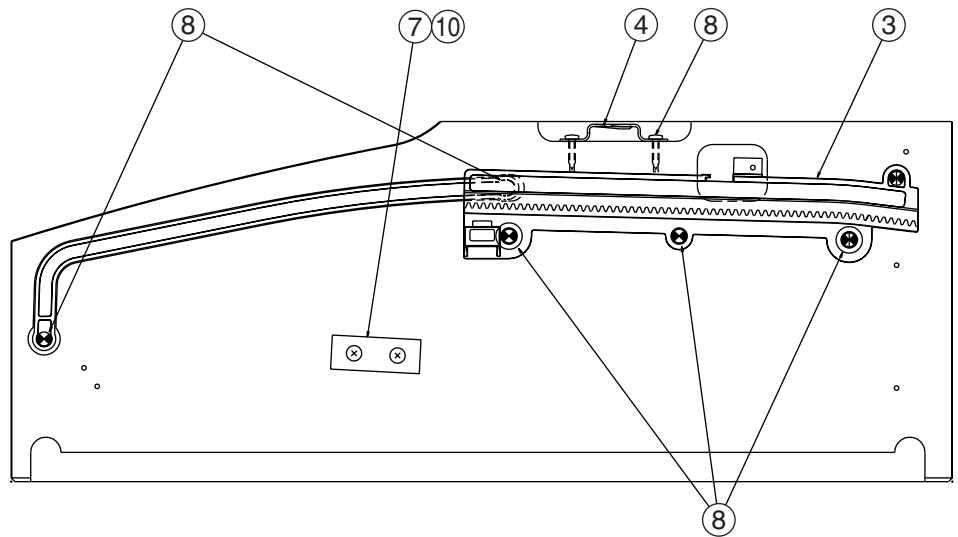
■ SIDE COVER ASSEMBLY (L, R)

*This figure shows a side cover assembly (L).

● Front view



● Side view



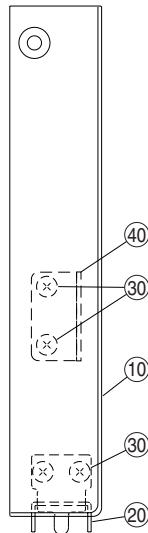
| REF NO. | PART NO. | DESCRIPTION | | REMARKS | QTY | RANK |
|---------|-----------------|----------------------------|---------------|-----------|-----|------|
| * | V8218900 | SIDE COVER ASSEMBLY | | CLP-120 | | |
| 1 | -- | Side Cover Assembly | LEFT | | | |
| 2 | V4949100 | Side Cover | LEFT | (V823730) | | |
| 3 | V8553000 | Guide Rail | LEFT | | | 03 |
| * | V8553000 | Rack Assembly | LEFT | | | |
| 4 | VV444200 | Holder, Top Board | 1.20 BL | | | 03 |
| 7 | -- | Crosspiece | | (V861370) | | |
| 8 | EP030190 | Bind Head Tapping Screw-1 | 3.5X16 MFZN2Y | | 8 | 01 |
| 10 | VA076400 | Truss Head Tapping Screw-1 | 3.5X30 MFZN2Y | | 2 | 01 |
| * | V8219000 | SIDE COVER ASSEMBLY | | | | |
| 1 | -- | Side Cover Assembly | RIGHT | | | |
| 2 | V4949300 | Side Cover | RIGHT | (V823760) | | |
| 3 | V8553100 | Guide Rail | RIGHT | | | 03 |
| * | V8553100 | Rack Assembly | RIGHT | | | |
| 4 | VV444200 | Holder, Top Board | 1.20 BL | | | 03 |
| 7 | -- | Crosspiece | | (V861370) | | |
| 8 | EP030190 | Bind Head Tapping Screw-1 | 3.5X16 MFZN2Y | | 8 | 01 |
| 10 | VA076400 | Truss Head Tapping Screw-1 | 3.5X30 MFZN2Y | | 2 | 01 |

*: New Parts

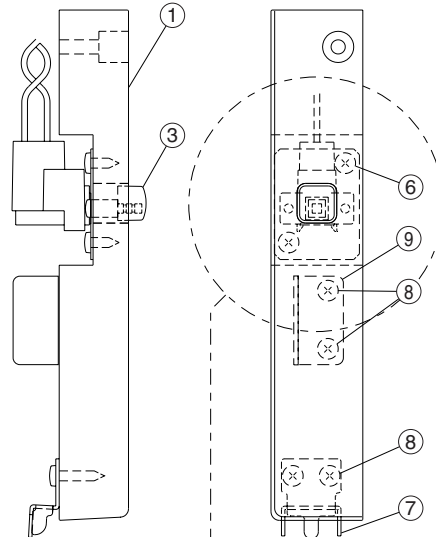
RANK: Japan only

■ END BLOCK ASSEMBLY (L, R)

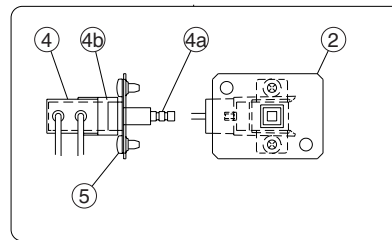
• Top view (L)



• Side view (R)



• Top view (R)



• Power switch assembly

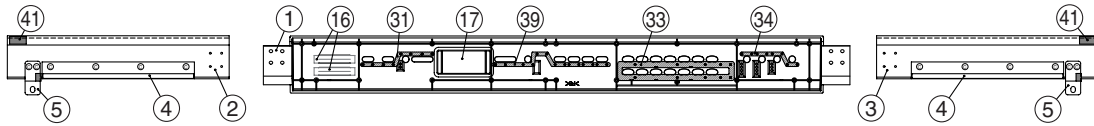
| REF NO. | PART NO. | DESCRIPTION | | REMARKS | QTY | RANK |
|---------|----------|---------------------------|-------------------|-----------|-----|------|
| | | END BLOCK ASSEMBLY | | CLP-120 | | |
| * | 10 | -- | LEFT | (V925890) | | |
| | | End Block Assembly | LEFT,NO BORE | | | |
| | 20 | -- | 1.2 L | (V533550) | | |
| | | Angle, H | | | | |
| | 30 | EP030260 | 3.5X16 MFZN2BL | | 4 | 01 |
| | | Bind Head Tapping Screw-1 | | | | |
| | 40 | -- | 1.6 L | (V526350) | | |
| | | Angle, K | | | | |
| * | 1 | -- | RIGHT | (V850380) | | 11 |
| | | End Block Assembly | RIGHT,NO BORE | | | |
| | 2 | -- | 0.8 | (V522000) | | |
| | | Power Switch Angle | | | | |
| | 3 | VF663400 | BL | POWER | | 02 |
| | | Knob | | | | |
| | 4 | V8528200 | PSW | POWER | | 03 |
| | | Power Switch Assembly | | | | |
| | 4a | VC843500 | SDDL1216A J.U.C.S | | | 01 |
| | | Push Switch | | | | |
| | 4b | V5800800 | IV,BL | | | 01 |
| | | Switch Cover | | | | |
| | 5 | EP600230 | 3.0X6 MFZN2BL | | 2 | 01 |
| | | Bind Head Tapping Screw-B | | | | |
| | 6 | EP030320 | 3.5X10 MFZN2BL | | 2 | 01 |
| | | Bind Head Tapping Screw-1 | | | | |
| | 7 | -- | 1.2 L | (V533550) | | |
| | | Angle, H | | | | |
| | 8 | EP030190 | 3.5X16 MFZN2Y | | 4 | 01 |
| | | Bind Head Tapping Screw-1 | | | | |
| | 9 | -- | 1.6L | (V526350) | | |
| | | Angle, K | | | | |

*: New Parts

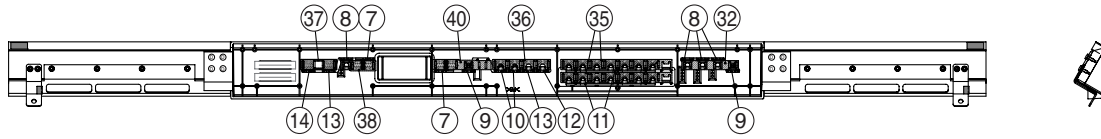
RANK: Japan only

■ PANEL ASSEMBLY

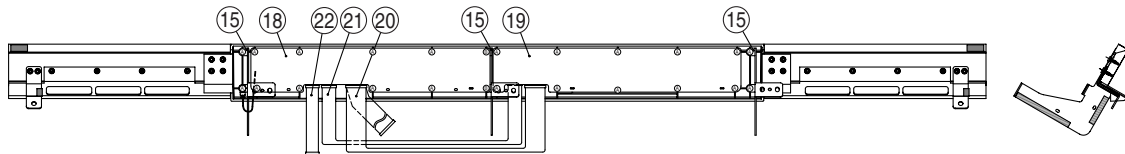
• Top view 1



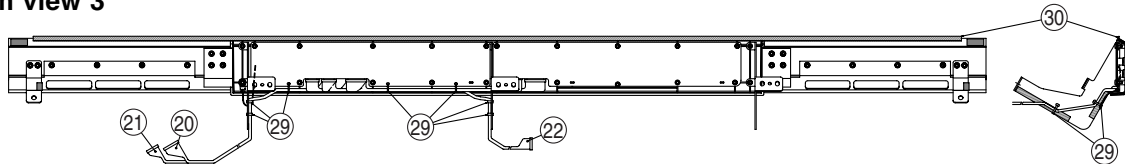
• Bottom view 1



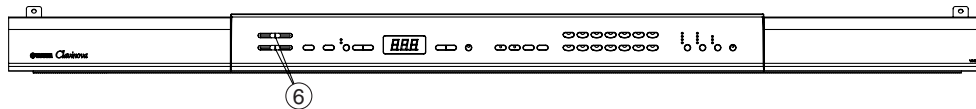
• Bottom view 2



• Bottom view 3



• Top view 2



Screw Set List

| Screw | Ref.No. | Parts No. | Qty |
|-------|---------|--------------------------------------|-----|
| (A) | 24 | Bind Head Tapping Screw-B (EP600250) | 22 |
| (B) | 27 | Bind Head Tapping Screw-B (EP600140) | 2 |
| (C) | 25 | Bind Head Tapping Screw-1 (EP030230) | 12 |
| (D) | 26 | Bind Head Tapping Screw-1 (EP030340) | 8 |

| REF NO. | PART NO. | DESCRIPTION | REMARKS | QTY | RANK |
|---------|----------|-------------------------|---------------------------|-----|------|
| | -- | PANEL ASSEMBLY | CLP-120 | | |
| | -- | Panel Assembly | (V821950) | | |
| * 1 | V8284700 | Control Panel | | | |
| * 2 | V8285100 | Panel | LEFT | | |
| * 3 | V8801000 | Panel | RIGHT | | |
| * 4 | V8576600 | SP Grille Assembly | | 2 | |
| 5 | -- | Control Panel Holder A | | 2 | |
| 6 | V8085100 | Slide Knob | MASTER VOLUME,BRILLIANCE | 2 | 01 |
| 7 | V8064900 | Button | DOWN,UP,-/NO,+/YES | 2 | 05 |
| 8 | V8066000 | Button | TEMPO FUNCTION#,REVERB, | 4 | 04 |
| 9 | V8066100 | Button | EFFECT,TOUCH | 2 | 05 |
| 10 | V8065500 | Button | PRESET,TRANSPOSE | 2 | 05 |
| 11 | V8065800 | Button | TRACK1,TRACK2 | 2 | 06 |
| | | | GRAND PIANO1,GRAND PIANO2 | | |
| | | | E.PIANO1,E.PIANO2, | | |
| | | | HARPSICHORD1,HARPSICHORD2 | | |
| | | | VIBRAPHONE,CHURCH ORGAN1, | | |
| | | | CHURCH ORGAN2,JAZZ ORGAN, | | |
| | | | STRINGS1,STRINGS2,CHOIR, | | |
| | | | GUITAR | | |
| * 12 | V8669800 | Button | REC | | |
| * 13 | V8669900 | Button | B RE B GR | 2 | |
| | | | METRONOME START/STOP, | | |
| | | | SONG START/STOP | | |
| * 14 | V8670000 | Button | B BR | | |
| | | | DEMO | | |
| 15 | -- | Panel Holder B Assembly | (V866200) | 3 | |

*: New Parts

RANK: Japan only

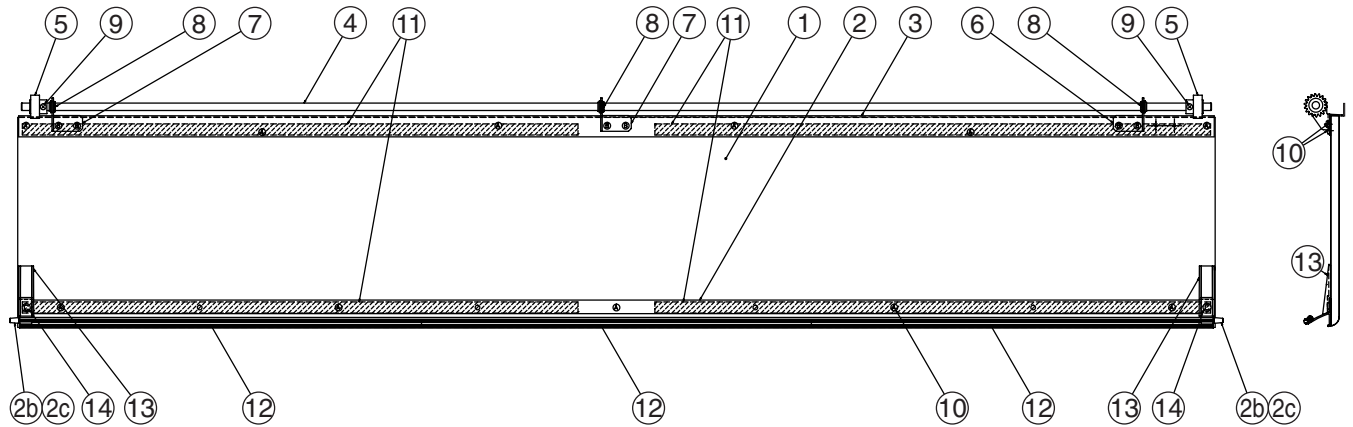
| REF NO. | PART NO. | DESCRIPTION | REMARKS | QTY | RANK |
|---------|-----------------|---------------------------|----------------|-----|-----------|
| 15a | -- | Control Panel Holder B | (V857710) | | |
| 15b | -- | Felt | (VU85070) | | |
| 15c | -- | Adhesive Tape | (ZL35000) | | |
| * 16 | V5911300 | Dust Proof Cloth | 54X10X0.25 | 2 | 01 |
| 17 | VU332300 | Window, LED | | | 03 |
| * 18 | V8496800 | Circuit Board | PNL | | |
| * 19 | V8496900 | Circuit Board | PNR | | |
| * 20 | V8498300 | Connector Assembly | 13P PN1 | | |
| * 21 | V8498400 | Connector Assembly | 9P PN2 | | |
| * 22 | V8497600 | Connector Assembly | VOL | | |
| 24 | EP600250 | Bind Head Tapping Screw-B | 3.0X8 MFZN2Y | 22 | 01 |
| 25 | EP030230 | Bind Head Tapping Screw-1 | 3.5X10 MFZN2Y | 12 | 01 |
| 26 | EP030340 | Bind Head Tapping Screw-1 | 3.5X12 MFZN2BL | 8 | 01 |
| 27 | EP600140 | Bind Head Tapping Screw-B | 3.0X10 MFZN2BL | 2 | 01 |
| 29 | CB069250 | Cord Holder | BK-1 | 7 | 01 |
| 30 | VU638700 | Felt | MK | | 05 |
| 31 | -- | Dust Proof Cloth | A1 | | (V923670) |
| 32 | -- | Dust Proof Cloth | B6 | | (V923760) |
| 33 | -- | Dust Proof Cloth | A3 | | (V923690) |
| 34 | -- | Dust Proof Cloth | A4 | | (V923700) |
| 35 | -- | Dust Proof Cloth | B5 | | (V923750) |
| 36 | -- | Dust Proof Cloth | B4 | 2 | (V923740) |
| 37 | -- | Dust Proof Cloth | B1 | | (V923710) |
| 38 | -- | Dust Proof Cloth | B2 | | (V923720) |
| 39 | -- | Dust Proof Cloth | A2 | | (V923680) |
| 40 | -- | Dust Proof Cloth | B3 | | (V923730) |
| 41 | -- | Dust Proof Cloth | | 2 | (V257670) |

*: New Parts

RANK: Japan only

KEY COVER ASSEMBLY

• Bottom view



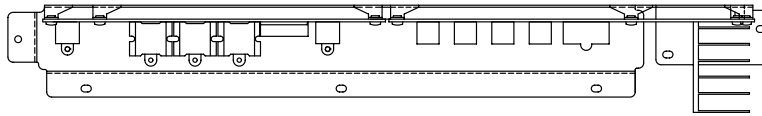
| REF NO. | PART NO. | DESCRIPTION | REMARKS | QTY | RANK |
|---------|-----------------|---------------------------|-----------------|-----------|------|
| | V8448100 | KEY COVER ASSEMBLY | CLP-120 | | |
| * | | Key Cover Assembly | (YMMA) | | |
| 1 | -- | Slide Cover | (V844670) | | |
| 2 | V4961900 | Sash Assembly | FRONT | | 10 |
| 2a | -- | Sash | FRONT | (V496430) | |
| 2b | V4964400 | Guide Pin | | | 2 |
| 2c | -- | Spacer | | (V549580) | 2 |
| 3 | -- | Sash | REAR | (V664750) | |
| 4 | -- | Rod | | (V496240) | |
| 5 | VT190400 | Gear | | | 2 03 |
| 6 | VV285600 | Holder, Rod | LEFT | | 03 |
| 7 | VV285700 | Holder, Rod | RIGHT | | 03 |
| 8 | VS368500 | Bushing | | | 2 03 |
| 9 | EG330060 | Bind Head Screw | 3.0X10 MFZN2Y | | 3 03 |
| 10 | VN920900 | Bind Head Tapping Screw-1 | 3.5X8 MFZN2BL | | 2 01 |
| 11 | -- | Adhesive Tape | 600X12 | (VO02370) | 4 |
| 12 | VU457600 | Cushion | H-32 421X2.5XT4 | | 3 03 |
| 12 | -- | Cushion | 426X2.5XT4 | (V946540) | 3 |
| 13 | V5902900 | Block | | | 2 02 |
| 14 | EP030230 | Bind Head Tapping Screw-1 | 3.5X10 MFZN2Y | | 2 01 |

*: New Parts

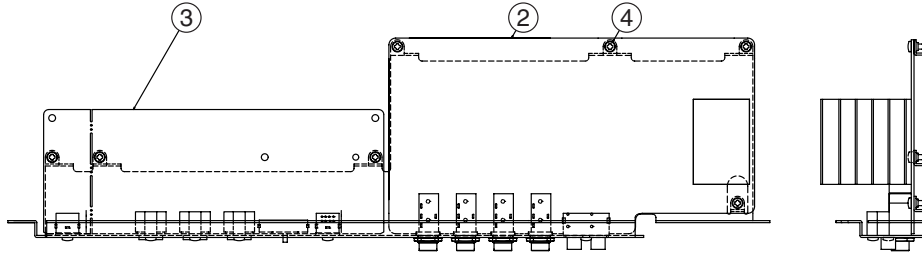
RANK: Japan only

■ JACK UNIT

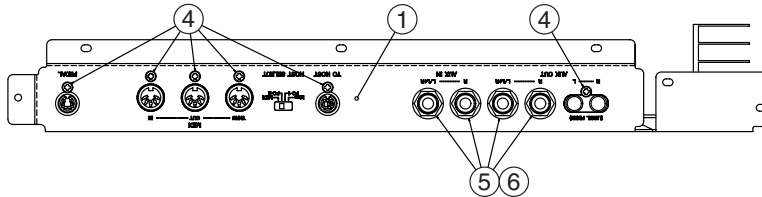
• Top view



• Side view



• Bottom view



| REF NO. | PART NO. | DESCRIPTION | | REMARKS | QTY | RANK |
|---------|----------|---------------------------|-------------------|-----------|-----|------|
| | -- | JACK UNIT | | CLP-120 | | |
| | -- | Jack Unit | | (V826580) | | |
| 1 | -- | Jack Plate | | (V826590) | | |
| 2 | V8554200 | Circuit Board | MAJ | | | |
| 3 | V8496000 | Circuit Board | DJK | | | |
| 4 | EP600190 | Bind Head Tapping Screw-B | 3.0X8 MFZN2BL | | 13 | 01 |
| 5 | VB508600 | Hexagonal Nut | 12.0 14X2 MFZN2BL | | 4 | 01 |
| 6 | VJ869400 | Washer | | | 4 | 02 |

*: New Parts

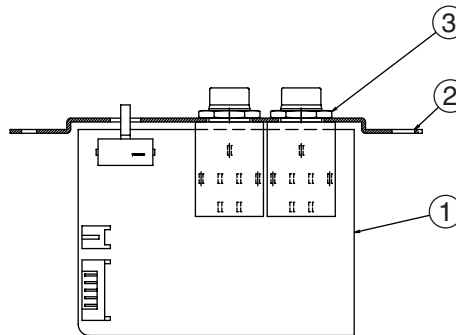
RANK: Japan only

■ HP JACK ASSEMBLY

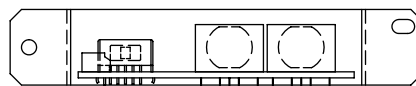
• Bottom view



• Side view



• Top view



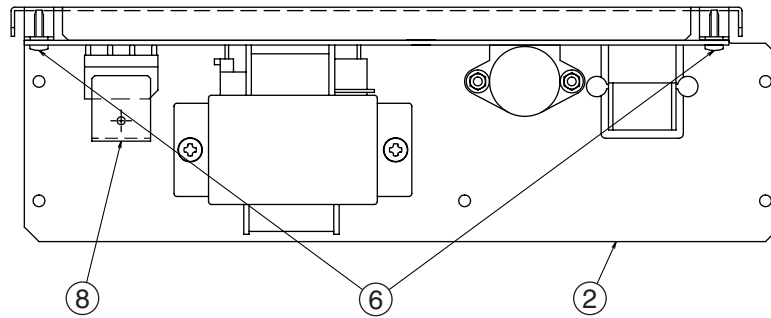
| REF NO. | PART NO. | DESCRIPTION | | REMARKS | QTY | RANK |
|---------|----------|--------------------|-------------------|-----------|-----|------|
| | -- | HP JACK ASSEMBLY | | CLP-120 | | |
| 1 | V8586500 | HP Jack Assembly | HP | (V851220) | | |
| 2 | -- | Holder, Phone Jack | | (V854930) | | |
| 3 | VB508600 | Hexagonal Nut | 12.0 14X2 MFZN2BL | | 2 | 01 |

*: New Parts

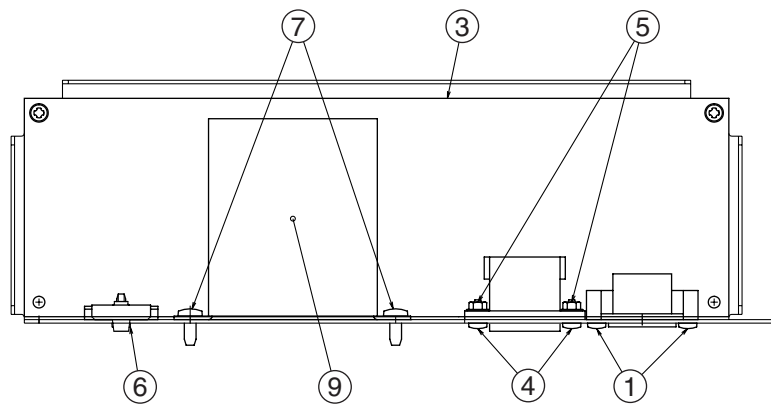
RANK: Japan only

■ POWER SUPPLY UNIT

● Top view



● Front view



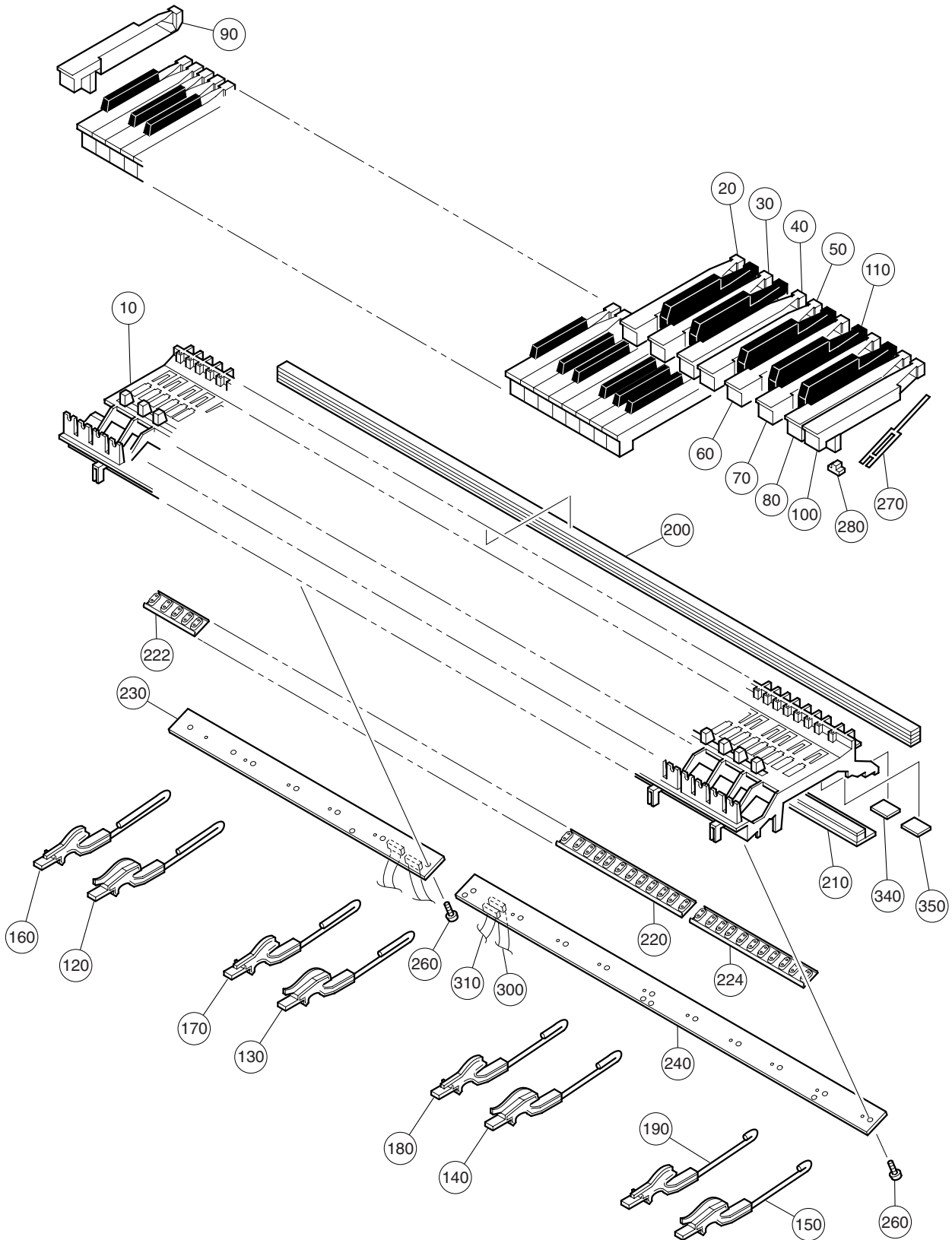
| REF NO. | PART NO. | DESCRIPTION | | REMARKS | QTY | RANK |
|---------|----------|---------------------------|----------------|-----------|-----|------|
| | | POWER SUPPLY UNIT | | CLP-120 | | |
| | V0010200 | Power Supply Unit | | J | | 14 |
| | V0010300 | Power Supply Unit | | U | | 14 |
| | V0010400 | Power Supply Unit | | E,B,K | | 14 |
| | V0010500 | Power Supply Unit | | N | | 22 |
| 1 | EP600140 | Bind Head Tapping Screw-B | 3.0X10 MFZN2BL | | 2 | 01 |
| 2 | VZ958800 | Plate, AC Inlet | | J,U,E,B,K | | 07 |
| 2 | VZ958900 | Panel, AC Inlet | | N | | 08 |
| 3 | V0010700 | Circuit Board | PS | J | | 11 |
| 3 | V0010800 | Circuit Board | PS | U | | 11 |
| 3 | V0011000 | Circuit Board | PS | E,B,K | | 11 |
| 3 | V0011100 | Circuit Board | PS | N | | 12 |
| 4 | EG330320 | Bind Head Screw | 3.0X12 MFZN2BL | N | 2 | 01 |
| 5 | VA211900 | Hexagonal Nut | 3.0 MFZN2Y | N | 2 | 01 |
| 6 | VE683000 | Bind Head Tapping Screw-B | 3.0X12 MFZN2Y | | 3 | 01 |
| 7 | EP600240 | Bind Head Tapping Screw-B | 4.0X10 MFZN2BL | | 2 | 01 |
| 8 | VT461100 | Transistor Holder | A | | | 03 |
| 9 | XU445A00 | Power Transformer | J/UL/CSA A | J,U | | 09 |
| 9 | XU446A00 | Power Transformer | IEC65 E | E,B,K | | 09 |
| 9 | XU447A00 | Power Transformer | N IEC65 E | N | | 09 |



*: New Parts

RANK: Japan only

KEYBOARD ASSEMBLY

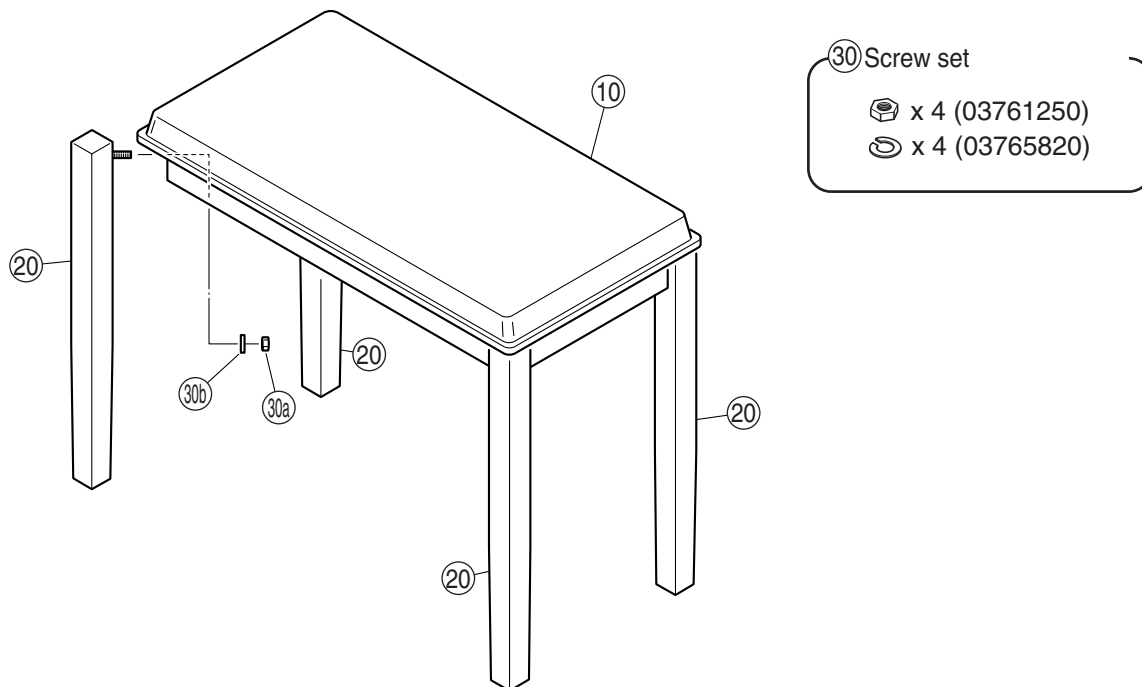


| REF NO. | PART NO. | DESCRIPTION | | REMARKS | QTY | RANK |
|---------|-----------------|----------------------------|-----------------|---|-----------|-------|
| | VZ705400 | KEYBOARD ASSEMBLY | | CLP-120 | | |
| 10 | -- | Keyboard Assembly | A88 K6 | | | 63 |
| 20 | VU101000 | White Key | C | | | 7 05 |
| 30 | VU101100 | White Key | D | | | 7 05 |
| 40 | VU101200 | White Key | E | | (VU42210) | 7 05 |
| 50 | VU101300 | White Key | F | | | 7 05 |
| 60 | VU101400 | White Key | G | | | 7 05 |
| 70 | VU101500 | White Key | A | | | 7 05 |
| 80 | VU101600 | White Key | B | | | 8 05 |
| 90 | VU101700 | White Key | A' | | | 05 |
| 100 | VU101800 | White Key | C' | | | 05 |
| 110 | VU102100 | Black Key | BL | | | 36 05 |
| 120 | VY828500 | Hammer Assembly, White Key | | | | 13 05 |
| 130 | VY828600 | Hammer Assembly, White Key | | | | 13 05 |
| 140 | VY828700 | Hammer Assembly, White Key | | | | 13 05 |
| 150 | VY828800 | Hammer Assembly, White Key | | | | 13 05 |
| 160 | VY828900 | Hammer Assembly, Black Key | | | | 9 05 |
| 170 | VY829000 | Hammer Assembly, Black Key | | | | 9 05 |
| 180 | VY829100 | Hammer Assembly, Black Key | | | | 9 05 |
| 190 | VY829200 | Hammer Assembly, Black Key | | | | 9 05 |
| 200 | VU342100 | Stopper | 1229X12X14.8T | | | 09 |
| 210 | V7640100 | Stopper Felt | 1239.5X28X10.1T | | | 07 |
| 220 | VY846700 | Rubber Contact | GH 2M OCT | | | 6 08 |
| 222 | VY846800 | Rubber Contact | GH 2M OCT | D0-C#1,D1~C#2,D2-C#3, D3-C#4,D4~C#5,D5-C#6 | | 08 |
| 224 | VY846900 | Rubber Contact | GH 2M OCT | A-1-C#0 D6-C7 | | 08 |
| 230 | VZ705200 | Circuit Board | GH-D_SW L | | | 10 |
| 240 | VZ705300 | Circuit Board | GH-D_SW H | | | 13 |
| 260 | VT413400 | Bind Head Tapping Screw-P | 3.0X10 MFZN2 | | | 17 01 |
| 270 | V2798500 | Spring R | GH WH/BL | | | 88 |
| 270 | VZ417900 | Spring R | GH WH/BL | | | 88 03 |
| 280 | V2211300 | Rubber 2 | GH,GHD,HE | | | 88 03 |
| 280 | VU237500 | Rubber | | | | 88 03 |
| 300 | VU341800 | Connector Assembly | 9P BLOCK | | | 06 |
| 310 | VU341900 | Connector Assembly | 12P NOTE | | | 07 |
| 340 | VV467900 | Stopper Support A | 35.5 20+ | | | 7 03 |
| 350 | VV468100 | Stopper Support B | 24 20- | | | 12 03 |

*: New Parts

RANK: Japan only

■ BENCH



| REF NO. | PART NO. | DESCRIPTION | | REMARKS | QTY | RANK |
|---------|----------|----------------------|-----------------|-----------|-----|------|
| 10 | -- | BENCH | | CLP-120 | | |
| | V5532900 | Bench Board Assembly | BC-100DR | (V553140) | | 16 |
| 20 | V8176300 | Leg | BC-100DR | | 4 | |
| 30 | VS530500 | Screw Set | BC-XX | | | 03 |
| 30a | 03761250 | Hexagonal Nut | 10.0X1.25 MFZN2 | | 4 | 01 |
| 30b | 03765820 | Spring Washer | 10.0 MFZN2Y | | 4 | 01 |
| * 10a | -- | ACCESSORY Wrench | | (V688680) | | |

*: New Parts

RANK: Japan only

■ ELECTRICAL PARTS

| REF NO. | PART NO. | DESCRIPTION | | REMARKS | QTY | RANK |
|---------|----------|----------------------------|-----------------|--------------------------|-----|------|
| | | ELECTRICAL PARTS | | CLP-120 | | |
| * | V8496000 | Circuit Board | DJK | (V849590)(X2245C0) | | |
| * | V8495500 | Circuit Board | DM | (X0566D0) | | |
| | VZ705200 | Circuit Board | GH-D_SW L | (XT240A0) | | 10 |
| | VZ705300 | Circuit Board | GH-D_SW H | (XT241A0) | | 13 |
| * | V8586500 | Circuit Board | HP | (V858640)(X2242B0) | | |
| * | V8554200 | Circuit Board | MAJ | (X2241D0) | | |
| | VN637600 | Circuit Board | PL (YCJ) | (VN63740)(XL151B0) | | 03 |
| | VU659100 | Circuit Board | PL (YMMA) | (VU65900)(XR898A0) | | 03 |
| * | V8496800 | Circuit Board | PNL | (V849670)(X0520D0) | | |
| * | V8496900 | Circuit Board | PNR | (V849670)(X0520D0) | | |
| | V0010700 | Circuit Board | PS | J (V001130)(XU372D0) | | 11 |
| | V0010800 | Circuit Board | PS | U (V001140)(XU372D0) | | 11 |
| | V0011000 | Circuit Board | PS | E,B,K (V001150)(XU372D0) | | 11 |
| | V0011100 | Circuit Board | PS | N (V001160)(XU372D0) | | 12 |
| | V2337300 | Circuit Board | PEDAL | (V233740)(XR780B0) | | 07 |
| * | V8496000 | Circuit Board | DJK | (V849590)(X2245C0) | | |
| C0004 | US064100 | Ceramic Capacitor-B (chip) | 0.0100 50V K | | | 01 |
| C0005 | UR838100 | Electrolytic Cap. | 100.00 16.0V | | | 01 |
| C0006 | US064100 | Ceramic Capacitor-B (chip) | 0.0100 50V K | | | 01 |
| C0007 | UR838100 | Electrolytic Cap. | 100.00 16.0V | | | 01 |
| C0009 | US064100 | Ceramic Capacitor-B (chip) | 0.0100 50V K | | | 01 |
| C0013 | UR837100 | Electrolytic Cap. | 10.00 16.0V | | | 01 |
| C0014 | UN817470 | Electrolytic Cap.-BP | 47.00 6.3V | | | 01 |
| C0016 | US064100 | Ceramic Capacitor-B (chip) | 0.0100 50V K | | | 01 |
| C0017 | US135100 | Ceramic Capacitor-F (chip) | 0.1000 16V Z | | | 01 |
| C0018 | US064100 | Ceramic Capacitor-B (chip) | 0.0100 50V K | | | 01 |
| C0019 | US064100 | Ceramic Capacitor-B (chip) | 0.0100 50V K | | | 01 |
| C0020 | UR837100 | Electrolytic Cap. | 10.00 16.0V | | | 01 |
| C0021 | US064100 | Ceramic Capacitor-B (chip) | 0.0100 50V K | | | 01 |
| CN004 | VB390700 | Connector Base Post | PH-11P TE | | | 01 |
| D0001 | VB493900 | Diode | MA221 | | | 01 |
| D0001 | VV925900 | Diode | RLS-73 TE-11 | | | 01 |
| D0002 | VB493900 | Diode | MA221 | | | 01 |
| D0002 | VV925900 | Diode | RLS-73 TE-11 | | | 01 |
| D0003 | VB493900 | Diode | MA221 | | | 01 |
| D0003 | VV925900 | Diode | RLS-73 TE-11 | | | 01 |
| D0004 | VB493900 | Diode | MA221 | | | 01 |
| D0004 | VV925900 | Diode | RLS-73 TE-11 | | | 01 |
| IC001 | XI348A00 | IC | SC7SU04FEL | INVERTER | | 01 |
| IC001 | XY447A00 | IC | TC7SU04F | INVERTER | | |
| IC002 | XU073A00 | IC | SN75C1168NSR | LINE TRANCEIVER | | 05 |
| IC003 | VD473200 | Photo Coupler | 6N137 | | | 05 |
| J0001 | -- | Jumper Wire | 0.55 | (VA07890) | | |
| -0005 | -- | Jumper Wire | 0.55 | (VA07890) | | |
| JK001 | VT202500 | DIN Connector | 5P YKF51-50 | MIDI IN | | 01 |
| JK002 | VT202500 | DIN Connector | 5P YKF51-50 | MIDI OUT | | 01 |
| JK003 | VT202500 | DIN Connector | 5P YKF51-50 | MIDI THRU | | 01 |
| JK004 | VV269500 | DIN Connector | DIN 8P MD-S813 | TO HOST | | 03 |
| JK006 | V4874800 | DIN Connector | DIN 6P MD-S613 | PEDAL | | 02 |
| L0005 | VY657200 | Chip Inductance | 600 BK1608HM601 | | | 01 |
| L0006 | RD350000 | Carbon Resistor (chip) | 0 63M J | | | 01 |
| L0007 | VY657200 | Chip Inductance | 600 BK1608HM601 | | | 01 |
| L0008 | VY657200 | Chip Inductance | 600 BK1608HM601 | | | 01 |
| L0011 | VY657200 | Chip Inductance | 600 BK1608HM601 | | | 01 |
| -0023 | VY657200 | Chip Inductance | 600 BK1608HM601 | | | 01 |
| R0006 | RD357100 | Carbon Resistor (chip) | 10K 63M J | | | 01 |
| -0009 | RD357100 | Carbon Resistor (chip) | 10K 63M J | | | 01 |
| R0010 | RD350000 | Carbon Resistor (chip) | 0 63M J | | | 01 |
| R0011 | RD355100 | Carbon Resistor (chip) | 100 63M J | | | 01 |
| R0012 | RD355100 | Carbon Resistor (chip) | 100 63M J | | | 01 |
| R0013 | RD356100 | Carbon Resistor (chip) | 1.0K 63M J | | | 01 |
| R0014 | RD357100 | Carbon Resistor (chip) | 10K 63M J | | | 01 |
| R0015 | RD357100 | Carbon Resistor (chip) | 10K 63M J | | | 01 |
| R0016 | RD356100 | Carbon Resistor (chip) | 1.0K 63M J | | | 01 |
| R0017 | RD357100 | Carbon Resistor (chip) | 10K 63M J | | | 01 |
| R0018 | RD355220 | Carbon Resistor (chip) | 220 63M J | | | 01 |
| R0019 | RD355220 | Carbon Resistor (chip) | 220 63M J | | | 01 |
| R0020 | RD357100 | Carbon Resistor (chip) | 10K 63M J | | | 01 |

*: New Parts

RANK: Japan only

| REF NO. | PART NO. | DESCRIPTION | | REMARKS | QTY | RANK |
|------------|----------|----------------------------|--------------------|-------------|-----|------|
| R0021 | RD357220 | Carbon Resistor (chip) | 22K 63M J | | | 01 |
| R0022 | RD357220 | Carbon Resistor (chip) | 22K 63M J | | | 01 |
| R0023 | RD356150 | Carbon Resistor (chip) | 1.5K 63M J | | | 01 |
| R0024 | RD357100 | Carbon Resistor (chip) | 10K 63M J | | | 01 |
| R0025 | RD357100 | Carbon Resistor (chip) | 10K 63M J | | | 01 |
| R0026 | RD357220 | Carbon Resistor (chip) | 22K 63M J | | | 01 |
| R0027 | RD356150 | Carbon Resistor (chip) | 1.5K 63M J | | | 01 |
| R0028 | RD357100 | Carbon Resistor (chip) | 10K 63M J | | | 01 |
| R0029 | RD355220 | Carbon Resistor (chip) | 220 63M J | | | 01 |
| R0030 | RD154470 | Carbon Resistor (chip) | 47.0 1/4 J | | | 01 |
| -0033 | RD154470 | Carbon Resistor (chip) | 47.0 1/4 J | | | 01 |
| R0034 | RD350000 | Carbon Resistor (chip) | 0 63M J | | | 01 |
| R0035 | RD350000 | Carbon Resistor (chip) | 0 63M J | | | 01 |
| R101 | RD350000 | Carbon Resistor (chip) | 0 63M J | | | 01 |
| R102 | RD350000 | Carbon Resistor (chip) | 0 63M J | | | 01 |
| SW001 | VQ665200 | Slide Switch | SSSF144-S06N-0 | HOST SELECT | | 03 |
| TR001 | VV556400 | Transistor | 2SC2412K Q,R,S | | | 01 |
| -004 | VV556400 | Transistor | 2SC2412K Q,R,S | | | 01 |
| * TR001 | V4767500 | Transistor | 2SC2SD601A-(TX) Q, | | | |
| * -004 | V4767500 | Transistor | 2SC2SD601A-(TX) Q, | | | |
| * V8495500 | | Circuit Board | DM | (X0566D0) | | |
| VK863100 | | IC Socket | DICF-42CS-E | | | 03 |
| C0001 | US062100 | Ceramic Capacitor-SL(chip) | 100P 50V J | | | 01 |
| -0012 | US062100 | Ceramic Capacitor-SL(chip) | 100P 50V J | | | 01 |
| C0013 | US064100 | Ceramic Capacitor-B (chip) | 0.0100 50V K | | | 01 |
| C0014 | US062100 | Ceramic Capacitor-SL(chip) | 100P 50V J | | | 01 |
| -0021 | US062100 | Ceramic Capacitor-SL(chip) | 100P 50V J | | | 01 |
| C0022 | US064100 | Ceramic Capacitor-B (chip) | 0.0100 50V K | | | 01 |
| -0025 | US064100 | Ceramic Capacitor-B (chip) | 0.0100 50V K | | | 01 |
| C0028 | VI055000 | Super Capacitor | 0.100F 5.5V FYDOH | | | 04 |
| C0029 | US064100 | Ceramic Capacitor-B (chip) | 0.0100 50V K | | | 01 |
| C0030 | UF037100 | Electrolytic Cap. (chip) | 10 16V | | | 01 |
| C0031 | US064100 | Ceramic Capacitor-B (chip) | 0.0100 50V K | | | 01 |
| C0032 | US064100 | Ceramic Capacitor-B (chip) | 0.0100 50V K | | | 01 |
| C0033 | UF037100 | Electrolytic Cap. (chip) | 10 16V | | | 01 |
| C0034 | US064100 | Ceramic Capacitor-B (chip) | 0.0100 50V K | | | 01 |
| C0035 | UF037100 | Electrolytic Cap. (chip) | 10 16V | | | 01 |
| C0036 | US064100 | Ceramic Capacitor-B (chip) | 0.0100 50V K | | | 01 |
| C0037 | UF037100 | Electrolytic Cap. (chip) | 10 16V | | | 01 |
| C0038 | US064100 | Ceramic Capacitor-B (chip) | 0.0100 50V K | | | 01 |
| C0039 | US064100 | Ceramic Capacitor-B (chip) | 0.0100 50V K | | | 01 |
| C0040 | UF037100 | Electrolytic Cap. (chip) | 10 16V | | | 01 |
| C0041 | US064100 | Ceramic Capacitor-B (chip) | 0.0100 50V K | | | 01 |
| -0044 | US064100 | Ceramic Capacitor-B (chip) | 0.0100 50V K | | | 01 |
| C0045 | UF037220 | Electrolytic Cap. (chip) | 22 16V | | | 01 |
| C0046 | UF037100 | Electrolytic Cap. (chip) | 10 16V | | | 01 |
| C0047 | US064100 | Ceramic Capacitor-B (chip) | 0.0100 50V K | | | 01 |
| C0048 | US061270 | Ceramic Capacitor-CH(chip) | 27P 50V J | | | 01 |
| C0049 | US135100 | Ceramic Capacitor-F (chip) | 0.1000 16V Z | | | 01 |
| C0050 | US063100 | Ceramic Capacitor-B (chip) | 1000P 50V K | | | 01 |
| C0051 | US135100 | Ceramic Capacitor-F (chip) | 0.1000 16V Z | | | 01 |
| C0053 | US135100 | Ceramic Capacitor-F (chip) | 0.1000 16V Z | | | 01 |
| C0054 | US061220 | Ceramic Capacitor-CH(chip) | 22P 50V J | | | 01 |
| C0055 | US064100 | Ceramic Capacitor-B (chip) | 0.0100 50V K | | | 01 |
| C0056 | US061220 | Ceramic Capacitor-CH(chip) | 22P 50V J | | | 01 |
| C0057 | US064100 | Ceramic Capacitor-B (chip) | 0.0100 50V K | | | 01 |
| C0058 | UF037220 | Electrolytic Cap. (chip) | 22 16V | | | 01 |
| C0059 | UF037220 | Electrolytic Cap. (chip) | 22 16V | | | 01 |
| C0060 | US062220 | Ceramic Capacitor-SL(chip) | 220P 50V J | | | 01 |
| C0061 | US135100 | Ceramic Capacitor-F (chip) | 0.1000 16V Z | | | 01 |
| C0063 | UF037220 | Electrolytic Cap. (chip) | 22 16V | | | 01 |
| C0064 | UF038100 | Electrolytic Cap. (chip) | 100 16V | | | 01 |
| C0065 | UF037220 | Electrolytic Cap. (chip) | 22 16V | | | 01 |
| C0066 | UF037220 | Electrolytic Cap. (chip) | 22 16V | | | 01 |
| C0067 | US064100 | Ceramic Capacitor-B (chip) | 0.0100 50V K | | | 01 |
| C0068 | US062100 | Ceramic Capacitor-SL(chip) | 100P 50V J | | | 01 |
| -0071 | US062100 | Ceramic Capacitor-SL(chip) | 100P 50V J | | | 01 |
| C0072 | US063270 | Ceramic Capacitor-B (chip) | 2700P 50V K | | | 01 |
| C0073 | US063270 | Ceramic Capacitor-B (chip) | 2700P 50V K | | | 01 |

*: New Parts

RANK: Japan only

| REF NO. | PART NO. | DESCRIPTION | | REMARKS | QTY | RANK |
|---------|----------|----------------------------|-------------------|--------------------|-----|------|
| C0074 | US063120 | Ceramic Capacitor-B (chip) | 1200P 50V K | | | 01 |
| C0075 | US063120 | Ceramic Capacitor-B (chip) | 1200P 50V K | | | 01 |
| C0076 | US062330 | Ceramic Capacitor-SL(chip) | 330P 50V J | | | 01 |
| C0077 | US062330 | Ceramic Capacitor-SL(chip) | 330P 50V J | | | 01 |
| C0078 | UF017220 | Electrolytic Cap. (chip) | 22 6.3V | | | 01 |
| C0079 | US064100 | Ceramic Capacitor-B (chip) | 0.0100 50V K | | | 01 |
| C0081 | UF037100 | Electrolytic Cap. (chip) | 10 16V | | | 01 |
| C0082 | UF037100 | Electrolytic Cap. (chip) | 10 16V | | | 01 |
| C0083 | US064100 | Ceramic Capacitor-B (chip) | 0.0100 50V K | | | 01 |
| C0085 | UF038100 | Electrolytic Cap. (chip) | 100 16V | | | 01 |
| C0086 | UF037220 | Electrolytic Cap. (chip) | 22 16V | | | 01 |
| C0087 | UF037220 | Electrolytic Cap. (chip) | 22 16V | | | 01 |
| C0088 | US064100 | Ceramic Capacitor-B (chip) | 0.0100 50V K | | | 01 |
| C0089 | US064100 | Ceramic Capacitor-B (chip) | 0.0100 50V K | | | 01 |
| C0091 | US061680 | Ceramic Capacitor-SL(chip) | 68P 50V J | | | 01 |
| C0092 | US061680 | Ceramic Capacitor-SL(chip) | 68P 50V J | | | 01 |
| C0093 | US064100 | Ceramic Capacitor-B (chip) | 0.0100 50V K | | | 01 |
| -0102 | US064100 | Ceramic Capacitor-B (chip) | 0.0100 50V K | | | 01 |
| C0103 | UF047100 | Electrolytic Cap. (chip) | 10 25V | | | 01 |
| C0104 | UF047100 | Electrolytic Cap. (chip) | 10 25V | | | 01 |
| C0105 | US063470 | Ceramic Capacitor-B (chip) | 4700P 50V K | | | 01 |
| C0106 | US063470 | Ceramic Capacitor-B (chip) | 4700P 50V K | | | 01 |
| C0110 | US062100 | Ceramic Capacitor-SL(chip) | 100P 50V J | | | 01 |
| C0111 | US064100 | Ceramic Capacitor-B (chip) | 0.0100 50V K | | | 01 |
| C0114 | US064100 | Ceramic Capacitor-B (chip) | 0.0100 50V K | | | 01 |
| C0115 | US064100 | Ceramic Capacitor-B (chip) | 0.0100 50V K | | | 01 |
| C0116 | UF148330 | Electrolytic Cap. (chip) | 330 25V UUR1E3 | | | 02 |
| C0117 | UF128470 | Electrolytic Cap. (chip) | 470 10V UUR1A4 | | | 02 |
| C0118 | US064100 | Ceramic Capacitor-B (chip) | 0.0100 50V K | | | 01 |
| -0122 | US064100 | Ceramic Capacitor-B (chip) | 0.0100 50V K | | | 01 |
| C0128 | US064100 | Ceramic Capacitor-B (chip) | 0.0100 50V K | | | 01 |
| C0129 | US064100 | Ceramic Capacitor-B (chip) | 0.0100 50V K | | | 01 |
| C0131 | US064100 | Ceramic Capacitor-B (chip) | 0.0100 50V K | | | 01 |
| -0135 | US064100 | Ceramic Capacitor-B (chip) | 0.0100 50V K | | | 01 |
| CN001 | VF283100 | Connector Base Post | PH-13P TE | | | 01 |
| CN002 | VB390500 | Connector Base Post | PH- 9P TE | | | 03 |
| CN003 | VB390400 | Connector Base Post | PH- 8P TE | | | 01 |
| CN004 | VB390000 | Connector Base Post | PH- 4P TE | | | 01 |
| CN005 | VB390200 | Connector Base Post | PH- 6P TE | | | 01 |
| CN006 | VB390700 | Connector Base Post | PH-11P TE | | | 01 |
| D0001 | VB493900 | Diode | MA221 | | | 01 |
| D0001 | VV925900 | Diode | RLS-73 TE-11 | | | 01 |
| D0002 | VB493900 | Diode | MA221 | | | 01 |
| D0002 | VV925900 | Diode | RLS-73 TE-11 | | | 01 |
| * IC001 | X2439100 | IC | PROGRAM | MASK ROM | | |
| IC003 | X2691A00 | IC | GLT44116-60TC | DRAM 4M | | 08 |
| IC003 | XU462A00 | IC | MSM514260C-60TS-K | DRAM 4M | | 08 |
| IC003 | XU462B00 | IC | MSM514260E-60TS-K | DRAM 4M | | 07 |
| IC004 | XN153A00 | IC | TD62083F-TP1 | DRIVER ARRAY | | 04 |
| * IC004 | X2550A00 | IC | TD62083F-EL | DRIVER ARRAY | | |
| IC006 | XW762A00 | IC | TC74HC138AFEL | DEMULTIPLEXER | | 02 |
| IC007 | XU947C00 | IC | HG73C205AFD | SWX00B | | 09 |
| IC008 | XU947C00 | IC | HG73C205AFD | SWX00B | | 09 |
| IC010 | XV297A00 | IC | PCM69AU-3/TE2 | D/A CONVERTER | | 06 |
| IC010 | X2900A00 | IC | PCM69BU/TE2 | D/A CONVERTER | | 06 |
| IC012 | XR063A00 | IC | M51951AML | SYSTEM RESET | | 02 |
| IC013 | XF291A00 | IC | UPC4570G2 | OP AMP | | 03 |
| IC015 | XS516A00 | IC | UPC2933T-E1 | REGULATOR 3.3V | | 03 |
| IC018 | X2600A00 | IC | NJM78M12DL1A | REGULATOR 12V | | 03 |
| IC022 | XF291A00 | IC | UPC4570G2 | OP AMP | | 03 |
| IC023 | XJ598A00 | IC | NJM78L05UA | REGULATOR 5V | | 02 |
| IC023 | XS721A00 | IC | UPC78L05T | REGULATOR 5V | | 02 |
| IC024 | XR115A00 | IC | UPD43256BGU-70L | SRAM 256K | | 08 |
| IC024 | XZ388A00 | IC | W24257S-70LL-EL | SRAM 256K | | 08 |
| IC025 | XM588A00 | IC | TC7S32F | OR | | 01 |
| IC026 | XG150A00 | IC | TC7S00F | NAND | | 03 |
| IC027 | XS346A00 | IC | SI-8501L | REGULATOR +5V 1.0A | | 07 |
| * IC028 | X2436100 | IC | WAVE | MASK ROM 128M | | |
| IC031 | XR115A00 | IC | UPD43256BGU-70L | SRAM 256K | | 08 |
| IC031 | XZ388A00 | IC | | SRAM 256K | | 08 |

*: New Parts

RANK: Japan only

| REF NO. | PART NO. | DESCRIPTION | REMARKS | QTY | RANK |
|---------|-----------------|------------------------|----------------|------|------|
| IC032 | XM182A00 | IC | TC7S04F | | 01 |
| L0001 | V5848100 | Chip Inductance | 56U ELJFC560JF | CMOS | 01 |
| -0003 | V5848100 | Chip Inductance | 56U ELJFC560JF | | 01 |
| R0001 | RD357470 | Carbon Resistor (chip) | 47K 63M J | | 01 |
| R0002 | RD354470 | Carbon Resistor (chip) | 47 63M J | | 01 |
| R0003 | RD354470 | Carbon Resistor (chip) | 47 63M J | | 01 |
| R0004 | RD355100 | Carbon Resistor (chip) | 100 63M J | | 01 |
| -0009 | RD355100 | Carbon Resistor (chip) | 100 63M J | | 01 |
| R0010 | RD354470 | Carbon Resistor (chip) | 47 63M J | | 01 |
| R0011 | RD355100 | Carbon Resistor (chip) | 100 63M J | | 01 |
| R0012 | RD354470 | Carbon Resistor (chip) | 47 63M J | | 01 |
| R0013 | RD356470 | Carbon Resistor (chip) | 4.7K 63M J | | 01 |
| R0014 | RD354470 | Carbon Resistor (chip) | 47 63M J | | 01 |
| -0017 | RD354470 | Carbon Resistor (chip) | 47 63M J | | 01 |
| R0018 | RD357470 | Carbon Resistor (chip) | 47K 63M J | | 01 |
| R0021 | RD354470 | Carbon Resistor (chip) | 47 63M J | | 01 |
| -0029 | RD354470 | Carbon Resistor (chip) | 47 63M J | | 01 |
| R0031 | RD354470 | Carbon Resistor (chip) | 47 63M J | | 01 |
| R0032 | RD357470 | Carbon Resistor (chip) | 47K 63M J | | 01 |
| R0033 | RD354470 | Carbon Resistor (chip) | 47 63M J | | 01 |
| R0034 | RD354470 | Carbon Resistor (chip) | 47 63M J | | 01 |
| R0035 | RD357470 | Carbon Resistor (chip) | 47K 63M J | | 01 |
| R0036 | RD354470 | Carbon Resistor (chip) | 47 63M J | | 01 |
| R0037 | RD354470 | Carbon Resistor (chip) | 47 63M J | | 01 |
| R0041 | RD354470 | Carbon Resistor (chip) | 47 63M J | | 01 |
| R0042 | RD354470 | Carbon Resistor (chip) | 47 63M J | | 01 |
| R0045 | RD355100 | Carbon Resistor (chip) | 100 63M J | | 01 |
| R0046 | RD354470 | Carbon Resistor (chip) | 47 63M J | | 01 |
| R0047 | RD355100 | Carbon Resistor (chip) | 100 63M J | | 01 |
| R0048 | RD355100 | Carbon Resistor (chip) | 100 63M J | | 01 |
| R0049 | RD354470 | Carbon Resistor (chip) | 47 63M J | | 01 |
| R0050 | RD355100 | Carbon Resistor (chip) | 100 63M J | | 01 |
| R0051 | RD354470 | Carbon Resistor (chip) | 47 63M J | | 01 |
| -0053 | RD354470 | Carbon Resistor (chip) | 47 63M J | | 01 |
| R0054 | RD357100 | Carbon Resistor (chip) | 10K 63M J | | 01 |
| R0055 | RD357100 | Carbon Resistor (chip) | 10K 63M J | | 01 |
| R0056 | RD357470 | Carbon Resistor (chip) | 47K 63M J | | 01 |
| R0057 | RD357100 | Carbon Resistor (chip) | 10K 63M J | | 01 |
| -0059 | RD357100 | Carbon Resistor (chip) | 10K 63M J | | 01 |
| R0060 | RD354470 | Carbon Resistor (chip) | 47 63M J | | 01 |
| -0064 | RD354470 | Carbon Resistor (chip) | 47 63M J | | 01 |
| R0065 | RD357470 | Carbon Resistor (chip) | 47K 63M J | | 01 |
| R0066 | RD357470 | Carbon Resistor (chip) | 47K 63M J | | 01 |
| R0068 | RD356150 | Carbon Resistor (chip) | 1.5K 63M J | | 01 |
| R0069 | RD355100 | Carbon Resistor (chip) | 100 63M J | | 01 |
| R0071 | RD356100 | Carbon Resistor (chip) | 1.0K 63M J | | 01 |
| -0073 | RD356100 | Carbon Resistor (chip) | 1.0K 63M J | | 01 |
| R0074 | RD354470 | Carbon Resistor (chip) | 47 63M J | | 01 |
| -0077 | RD354470 | Carbon Resistor (chip) | 47 63M J | | 01 |
| R0078 | RD358470 | Carbon Resistor (chip) | 470K 63M J | | 01 |
| R0079 | RD357100 | Carbon Resistor (chip) | 10K 63M J | | 01 |
| R0080 | RD357100 | Carbon Resistor (chip) | 10K 63M J | | 01 |
| R0081 | RD354100 | Carbon Resistor (chip) | 10 63M J | | 01 |
| R0082 | RD356220 | Carbon Resistor (chip) | 2.2K 63M J | | 01 |
| R0083 | RD355100 | Carbon Resistor (chip) | 100 63M J | | 01 |
| -0086 | RD355100 | Carbon Resistor (chip) | 100 63M J | | 01 |
| R0087 | RD356220 | Carbon Resistor (chip) | 2.2K 63M J | | 01 |
| -0091 | RD356220 | Carbon Resistor (chip) | 2.2K 63M J | | 01 |
| R0092 | RD357100 | Carbon Resistor (chip) | 10K 63M J | | 01 |
| -0095 | RD357100 | Carbon Resistor (chip) | 10K 63M J | | 01 |
| R0096 | RD356470 | Carbon Resistor (chip) | 4.7K 63M J | | 01 |
| R0097 | RD356470 | Carbon Resistor (chip) | 4.7K 63M J | | 01 |
| R0098 | RD354330 | Carbon Resistor (chip) | 33 63M J | | 01 |
| R0099 | RD354330 | Carbon Resistor (chip) | 33 63M J | | 01 |
| R0102 | RD355100 | Carbon Resistor (chip) | 100 63M J | | 01 |
| R0103 | RD355100 | Carbon Resistor (chip) | 100 63M J | | 01 |
| R0124 | RD356470 | Carbon Resistor (chip) | 4.7K 63M J | | 01 |
| R0125 | RD354820 | Carbon Resistor (chip) | 82 63M J | | 01 |
| R0126 | RD354820 | Carbon Resistor (chip) | 82 63M J | | 01 |
| R0127 | RD357100 | Carbon Resistor (chip) | 10K 63M J | | 01 |

*: New Parts

RANK: Japan only

| REF NO. | PART NO. | DESCRIPTION | | REMARKS | QTY | RANK |
|---------|----------|----------------------------|--------------------|--------------------|-----|------|
| R0128 | RD350000 | Carbon Resistor (chip) | 0 63M J | | | 01 |
| R0130 | RD357100 | Carbon Resistor (chip) | 10K 63M J | | | 01 |
| R0132 | RD354470 | Carbon Resistor (chip) | 47 63M J | | | 01 |
| R0133 | RD354470 | Carbon Resistor (chip) | 47 63M J | | | 01 |
| R0134 | RD357470 | Carbon Resistor (chip) | 47K 63M J | | | 01 |
| -0137 | RD357470 | Carbon Resistor (chip) | 47K 63M J | | | 01 |
| R0138 | RD350000 | Carbon Resistor (chip) | 0 63M J | | | 01 |
| R0140 | RD350000 | Carbon Resistor (chip) | 0 63M J | | | 01 |
| R0145 | RD357100 | Carbon Resistor (chip) | 10K 63M J | | | 01 |
| R0148 | RD350000 | Carbon Resistor (chip) | 0 63M J | | | 01 |
| R0149 | RD357100 | Carbon Resistor (chip) | 10K 63M J | | | 01 |
| R0152 | RD354470 | Carbon Resistor (chip) | 47 63M J | | | 01 |
| -0155 | RD354470 | Carbon Resistor (chip) | 47 63M J | | | 01 |
| R0159 | RD350000 | Carbon Resistor (chip) | 0 63M J | | | 01 |
| R0160 | RD350000 | Carbon Resistor (chip) | 0 63M J | | | 01 |
| R0161 | RD354470 | Carbon Resistor (chip) | 47 63M J | | | 01 |
| -0174 | RD354470 | Carbon Resistor (chip) | 47 63M J | | | 01 |
| TA001 | VT943400 | Transistor Array | TD62785F(TP1) | | | 04 |
| TA001 | V8566600 | Transistor Array | TD62785F(EL) | | | 04 |
| X0001 | VZ703600 | Quartz Crystal Unit | 8.4672M SMD-49 | | | 03 |
| ZD001 | VU172000 | Zener Diode | UDZS5.6BTE-17 5.6V | | | 01 |
| | VZ705200 | Circuit Board | GH-D_SW L | (XT240A0) | | 10 |
| | VB390400 | Connector Base Post | PH- 8P TE | | | 01 |
| | VB390500 | Connector Base Post | PH- 9P TE | | | 03 |
| | VB390800 | Connector Base Post | PH-12P TE | | | 01 |
| | VB941200 | Diode | 1SS133,1SS176 | | | 01 |
| | XR632A00 | IC | YMZ702-D | KSN2 | | 09 |
| | -- | Dust Proof Cloth | | (VU45960) | | |
| C1 | FG644100 | Electrolytic Cap. | 0.0100 50V Z | | | 01 |
| -3 | FG644100 | Electrolytic Cap. | 0.0100 50V Z | | | 01 |
| C5 | VF760000 | Electrolytic Cap.-KS | 100.00 10.0V | | | 01 |
| J1 | -- | Jumper Wire | 0.55 | (VD04170) | | |
| J2 | -- | Jumper Wire | 0.55 | (VD04170) | | |
| R1 | HF759100 | Carbon Resistor | 1.0M 1/4 J | | | 01 |
| R2 | HF755100 | Carbon Resistor | 100.0 1/4 J | | | 01 |
| R3 | HF755100 | Carbon Resistor | 100.0 1/4 J | | | 01 |
| R4 | HF756100 | Carbon Resistor | 1.0K 1/4 J | | | 01 |
| CL1 | VI653000 | Ceramic Resonator | CST4.00MGW040 | | | 01 |
| RA1 | VU483500 | Resistor Array | RGLD12X103J | | | 01 |
| | VZ705300 | Circuit Board | GH-D_SW H | (XT241A0) | | 13 |
| | VB390500 | Connector Base Post | PH- 9P TE | | | 03 |
| | VB390800 | Connector Base Post | PH-12P TE | | | 01 |
| | VB941200 | Diode | 1SS133,1SS176 | | | 01 |
| | -- | Dust Proof Cloth | | (VU45980) | | |
| | V8586500 | Circuit Board | HP | (V858640)(X2242B0) | | |
| | VA078900 | Jumper Wire | 0.55 | | | |
| WH1 | VT890700 | Earth Wire | 150mm | | | 01 |
| C0001 | FG413100 | Ceramic Capacitor-B | 1000P 50V K | | | 01 |
| -0005 | FG413100 | Ceramic Capacitor-B | 1000P 50V K | | | 01 |
| CN001 | VB858600 | Connector Base Post | PH- 7P SE | | | 01 |
| CN002 | VB858100 | Connector Base Post | PH- 2P SE | | | 01 |
| JK001 | LB101870 | Phone Jack | YKB21-5006 | PHONES | | 03 |
| JK002 | LB101870 | Phone Jack | YKB21-5006 | PHONES | | 03 |
| L0001 | VB971100 | Coil | FL5R200QN | | | 01 |
| -0006 | VB971100 | Coil | FL5R200QN | | | 01 |
| R0001 | V3609100 | Carbon Resistor | 68.0 1/2 J | | | |
| -0004 | V3609100 | Carbon Resistor | 68.0 1/2 J | | | |
| R0001 | VK992200 | Carbon Resistor | 68.0 1/2 J | | | 01 |
| -0004 | VK992200 | Carbon Resistor | 68.0 1/2 J | | | 01 |
| SW001 | VS053400 | Slide Switch | SSSF11496A | SPEAKER | | 02 |
| | V8554200 | Circuit Board | MAJ | (X2241D0) | | |
| | VE683000 | Bind Head Tapping Screw-B | 3.0X12 MFZN2Y | | | 01 |
| | -- | Jumper Wire | 0.55 | (VD04170) | | |
| HS | -- | Heatsink | | (V506910) | | |
| MFA | -- | Holder, A | | (V518410) | | |
| C0001 | US063100 | Ceramic Capacitor-B (chip) | 1000P 50V K | | | 01 |

*: New Parts

RANK: Japan only

| REF NO. | PART NO. | DESCRIPTION | | REMARKS | QTY | RANK |
|---------|----------|----------------------------|---------------|---------|-----|------|
| C0002 | US063100 | Ceramic Capacitor-B (chip) | 1000P 50V K | | | 01 |
| C0003 | UR848100 | Electrolytic Cap. | 100.00 25.0V | | | 01 |
| C0004 | UR866100 | Electrolytic Cap. | 1.00 50.0V | | | 01 |
| C0005 | UR866100 | Electrolytic Cap. | 1.00 50.0V | | | 01 |
| C0006 | US064100 | Ceramic Capacitor-B (chip) | 0.0100 50V K | | | 01 |
| C0007 | UR846470 | Electrolytic Cap. | 4.70 25.0V | | | 01 |
| C0008 | UR846470 | Electrolytic Cap. | 4.70 25.0V | | | 01 |
| C0009 | US064100 | Ceramic Capacitor-B (chip) | 0.0100 50V K | | | 01 |
| C0010 | US064100 | Ceramic Capacitor-B (chip) | 0.0100 50V K | | | 01 |
| C0011 | UR848100 | Electrolytic Cap. | 100.00 25.0V | | | 01 |
| C0012 | UR828220 | Electrolytic Cap. | 220.00 10.0V | | | 01 |
| C0013 | US062100 | Ceramic Capacitor-SL(chip) | 100P 50V J | | | 01 |
| C0014 | US062100 | Ceramic Capacitor-SL(chip) | 100P 50V J | | | 01 |
| C0015 | UR846470 | Electrolytic Cap. | 4.70 25.0V | | | 01 |
| C0016 | UR846470 | Electrolytic Cap. | 4.70 25.0V | | | 01 |
| C0017 | UR866100 | Electrolytic Cap. | 1.00 50.0V | | | 01 |
| C0018 | UR866100 | Electrolytic Cap. | 1.00 50.0V | | | 01 |
| C0019 | UR846470 | Electrolytic Cap. | 4.70 25.0V | | | 01 |
| C0020 | UR846470 | Electrolytic Cap. | 4.70 25.0V | | | 01 |
| C0022 | VR168700 | Monolithic Mylar Capacitor | ECQ-V1H224JL3 | | | 01 |
| C0023 | VR168500 | Monolithic Mylar Capacitor | ECQ-V1H154JL3 | | | 01 |
| C0024 | UA354820 | Mylar Capacitor | 0.082 50V | | | 01 |
| C0025 | UA354180 | Mylar Capacitor | 0.018 50V | | | 01 |
| C0026 | UA353100 | Mylar Capacitor | 1000P 50V | | | 01 |
| C0027 | VR168700 | Monolithic Mylar Capacitor | ECQ-V1H224JL3 | | | 01 |
| C0028 | VR168500 | Monolithic Mylar Capacitor | ECQ-V1H154JL3 | | | 01 |
| C0029 | UA354820 | Mylar Capacitor | 0.082 50V | | | 01 |
| C0030 | UA354180 | Mylar Capacitor | 0.018 50V | | | 01 |
| C0031 | UA353100 | Mylar Capacitor | 1000P 50V | | | 01 |
| C0032 | VR168300 | Monolithic Mylar Capacitor | ECQ-V1H104JL3 | | | 01 |
| C0033 | UA354560 | Mylar Capacitor | 0.056 50V | | | 01 |
| C0034 | UA354220 | Mylar Capacitor | 0.0220 50V J | | | 01 |
| C0035 | UA354470 | Mylar Capacitor | 0.0470 50V J | | | 01 |
| C0036 | UA353680 | Mylar Capacitor | 6800P 50V J | | | 01 |
| C0037 | VR168300 | Monolithic Mylar Capacitor | ECQ-V1H104JL3 | | | 01 |
| C0038 | UA354560 | Mylar Capacitor | 0.056 50V | | | 01 |
| C0039 | UA354220 | Mylar Capacitor | 0.0220 50V J | | | 01 |
| C0040 | UA354470 | Mylar Capacitor | 0.0470 50V J | | | 01 |
| C0041 | UA353680 | Mylar Capacitor | 6800P 50V J | | | 01 |
| C0042 | UR828220 | Electrolytic Cap. | 220.00 10.0V | | | 01 |
| C0043 | UR828220 | Electrolytic Cap. | 220.00 10.0V | | | 01 |
| C0044 | US062470 | Ceramic Capacitor-SL(chip) | 470P 50V J | | | 01 |
| C0045 | US062470 | Ceramic Capacitor-SL(chip) | 470P 50V J | | | 01 |
| C0046 | US062100 | Ceramic Capacitor-SL(chip) | 100P 50V J | | | 01 |
| C0047 | UR846470 | Electrolytic Cap. | 4.70 25.0V | | | 01 |
| C0048 | US062100 | Ceramic Capacitor-SL(chip) | 100P 50V J | | | 01 |
| C0049 | UR846470 | Electrolytic Cap. | 4.70 25.0V | | | 01 |
| -0051 | UR846470 | Electrolytic Cap. | 4.70 25.0V | | | 01 |
| C0052 | UR828470 | Electrolytic Cap. | 470.00 10.0V | | | 01 |
| C0053 | UR828470 | Electrolytic Cap. | 470.00 10.0V | | | 01 |
| C0054 | VE327200 | Electrolytic Cap. | 1.00 50.0V | | | 01 |
| C0055 | VE327200 | Electrolytic Cap. | 1.00 50.0V | | | 01 |
| C0056 | US062100 | Ceramic Capacitor-SL(chip) | 100P 50V J | | | 01 |
| C0057 | US062100 | Ceramic Capacitor-SL(chip) | 100P 50V J | | | 01 |
| C0058 | US063100 | Ceramic Capacitor-B (chip) | 1000P 50V K | | | 01 |
| -0060 | US063100 | Ceramic Capacitor-B (chip) | 1000P 50V K | | | 01 |
| C0061 | UR837220 | Electrolytic Cap. | 22.00 16.0V | | | 01 |
| C0062 | UR837220 | Electrolytic Cap. | 22.00 16.0V | | | 01 |
| C0063 | UR828220 | Electrolytic Cap. | 220.00 10.0V | | | 01 |
| C0064 | UR847470 | Electrolytic Cap. | 47.00 25.0V | | | 01 |
| C0065 | US035100 | Ceramic Capacitor-B (chip) | 0.1000 16V K | | | 01 |
| -0072 | US035100 | Ceramic Capacitor-B (chip) | 0.1000 16V K | | | 01 |
| C0075 | US063100 | Ceramic Capacitor-B (chip) | 1000P 50V K | | | 01 |
| C0076 | US063100 | Ceramic Capacitor-B (chip) | 1000P 50V K | | | 01 |
| CN001 | LB918050 | Base Post Connector | XH 5P TE | | | 01 |
| CN002 | VB390200 | Connector Base Post | PH- 6P TE | | | 01 |
| CN003 | VB390400 | Connector Base Post | PH- 8P TE | | | 01 |
| CN004 | VB390300 | Connector Base Post | PH- 7P TE | | | 01 |
| CN005 | LB932040 | Base Post Connector | VH- 4P TE | | | 01 |
| CN006 | VB390000 | Connector Base Post | PH- 4P TE | | | 01 |

*: New Parts

RANK: Japan only

| REF NO. | PART NO. | DESCRIPTION | | REMARKS | QTY | RANK |
|---------|----------|------------------------|------------------|-------------------------|-----|------|
| D0001 | VV925900 | Diode | RLS-73 TE-11 | | | 01 |
| D0001 | VB493900 | Diode | MA221 | | | 01 |
| D0002 | VV925900 | Diode | RLS-73 TE-11 | | | 01 |
| D0002 | VB493900 | Diode | MA221 | | | 01 |
| D0003 | VV925900 | Diode | RLS-73 TE-11 | | | 01 |
| D0003 | VB493900 | Diode | MA221 | | | 01 |
| IC001 | XU387A00 | IC | UPC24M12AHF | REGULATOR +12V | | 03 |
| IC002 | XF291A00 | IC | UPC4570G2 | OP AMP | | 03 |
| IC003 | XT131A00 | IC | LA6517M-TE-R | OP AMP | | 04 |
| IC004 | XT773A00 | IC | M5227FP | EQUALIZER 5BAND | | 03 |
| IC005 | XT773A00 | IC | M5227FP | EQUALIZER 5BAND | | 03 |
| IC006 | XU131A00 | IC | TA8233H | POWER AMP 30W*2 BTL | | 06 |
| JK001 | VP599300 | Pin Jack | WH/RE YKC21-3120 | AUX OUT LEVEL FIXED L,R | | 02 |
| JK002 | VS115400 | Phone Jack | LGR4609-7000 BL | AUX IN L/L+R | | 01 |
| JK003 | VS115400 | Phone Jack | LGR4609-7000 BL | AUX IN R | | 01 |
| JK004 | VS115400 | Phone Jack | LGR4609-7000 BL | AUX OUT L/L+R | | 01 |
| JK005 | VS115400 | Phone Jack | LGR4609-7000 BL | AUX OUT R | | 01 |
| L0001 | VQ724900 | Chip Inductance | BK2125HM601-T | | | 01 |
| -0003 | VQ724900 | Chip Inductance | BK2125HM601-T | | | 01 |
| L0001 | VY944700 | Chip Inductance | BLM21B601 | | | 01 |
| -0003 | VY944700 | Chip Inductance | BLM21B601 | | | 01 |
| R0001 | RD355560 | Carbon Resistor (chip) | 560 63M J | | | 01 |
| R0002 | RD355560 | Carbon Resistor (chip) | 560 63M J | | | 01 |
| R0005 | RD356330 | Carbon Resistor (chip) | 3.3K 63M J | | | 01 |
| R0006 | RD357330 | Carbon Resistor (chip) | 33K 63M J | | | 01 |
| R0007 | RD356680 | Carbon Resistor (chip) | 6.8K 63M J | | | 01 |
| -0010 | RD356680 | Carbon Resistor (chip) | 6.8K 63M J | | | 01 |
| R0011 | RD356120 | Carbon Resistor (chip) | 1.2K 63M J | | | 01 |
| R0012 | RD356120 | Carbon Resistor (chip) | 1.2K 63M J | | | 01 |
| R0013 | RD356330 | Carbon Resistor (chip) | 3.3K 63M J | | | 01 |
| R0014 | RD356330 | Carbon Resistor (chip) | 3.3K 63M J | | | 01 |
| R0015 | RD357150 | Carbon Resistor (chip) | 15K 63M J | | | 01 |
| R0016 | RD357150 | Carbon Resistor (chip) | 15K 63M J | | | 01 |
| R0017 | RD356470 | Carbon Resistor (chip) | 4.7K 63M J | | | 01 |
| R0018 | RD356470 | Carbon Resistor (chip) | 4.7K 63M J | | | 01 |
| R0019 | RD356100 | Carbon Resistor (chip) | 1.0K 63M J | | | 01 |
| R0020 | RD355820 | Carbon Resistor (chip) | 820 63M J | | | 01 |
| R0021 | RD356120 | Carbon Resistor (chip) | 1.2K 63M J | | | 01 |
| R0022 | RD356100 | Carbon Resistor (chip) | 1.0K 63M J | | | 01 |
| R0023 | RD357180 | Carbon Resistor (chip) | 18K 63M J | | | 01 |
| R0024 | RD356100 | Carbon Resistor (chip) | 1.0K 63M J | | | 01 |
| R0025 | RD355820 | Carbon Resistor (chip) | 820 63M J | | | 01 |
| R0026 | RD356120 | Carbon Resistor (chip) | 1.2K 63M J | | | 01 |
| R0027 | RD356100 | Carbon Resistor (chip) | 1.0K 63M J | | | 01 |
| R0028 | RD357180 | Carbon Resistor (chip) | 18K 63M J | | | 01 |
| -0030 | RD357180 | Carbon Resistor (chip) | 18K 63M J | | | 01 |
| R0031 | RD357220 | Carbon Resistor (chip) | 22K 63M J | | | 01 |
| R0032 | RD357180 | Carbon Resistor (chip) | 18K 63M J | | | 01 |
| R0033 | RD355820 | Carbon Resistor (chip) | 820 63M J | | | 01 |
| R0034 | RD357180 | Carbon Resistor (chip) | 18K 63M J | | | 01 |
| R0035 | RD357180 | Carbon Resistor (chip) | 18K 63M J | | | 01 |
| R0036 | RD357220 | Carbon Resistor (chip) | 22K 63M J | | | 01 |
| R0037 | RD357180 | Carbon Resistor (chip) | 18K 63M J | | | 01 |
| R0038 | RD355820 | Carbon Resistor (chip) | 820 63M J | | | 01 |
| R0039 | RD357100 | Carbon Resistor (chip) | 10K 63M J | | | 01 |
| R0040 | RD357100 | Carbon Resistor (chip) | 10K 63M J | | | 01 |
| R0043 | RD356330 | Carbon Resistor (chip) | 3.3K 63M J | | | 01 |
| R0044 | RD356330 | Carbon Resistor (chip) | 3.3K 63M J | | | 01 |
| R0045 | RD356680 | Carbon Resistor (chip) | 6.8K 63M J | | | 01 |
| R0046 | RD356680 | Carbon Resistor (chip) | 6.8K 63M J | | | 01 |
| R0047 | RD355560 | Carbon Resistor (chip) | 560 63M J | | | 01 |
| R0048 | RD355560 | Carbon Resistor (chip) | 560 63M J | | | 01 |
| R0049 | RD357100 | Carbon Resistor (chip) | 10K 63M J | | | 01 |
| -0054 | RD357100 | Carbon Resistor (chip) | 10K 63M J | | | 01 |
| R0055 | RD356100 | Carbon Resistor (chip) | 1.0K 63M J | | | 01 |
| R0056 | RD356100 | Carbon Resistor (chip) | 1.0K 63M J | | | 01 |
| R0057 | RD354330 | Carbon Resistor (chip) | 33 63M J | | | 01 |
| R0058 | RD354330 | Carbon Resistor (chip) | 33 63M J | | | 01 |
| R0059 | RD355470 | Carbon Resistor (chip) | 470 63M J | | | 01 |
| R0060 | RD355470 | Carbon Resistor (chip) | 470 63M J | | | 01 |

*: New Parts

RANK: Japan only

| REF NO. | PART NO. | DESCRIPTION | | REMARKS | QTY | RANK |
|---------|-----------------|------------------------|--------------------|--------------------|-----|------|
| R0061 | RD355560 | Carbon Resistor (chip) | 560 63M J | | | 01 |
| R0062 | RD355560 | Carbon Resistor (chip) | 560 63M J | | | 01 |
| R0063 | RD357100 | Carbon Resistor (chip) | 10K 63M J | | | 01 |
| R0064 | RD354100 | Carbon Resistor (chip) | 10 63M J | | | 01 |
| -0067 | RD354100 | Carbon Resistor (chip) | 10 63M J | | | 01 |
| R0068 | RD356470 | Carbon Resistor (chip) | 4.7K 63M J | | | 01 |
| R0069 | RD356330 | Carbon Resistor (chip) | 3.3K 63M J | | | 01 |
| R0070 | RD357330 | Carbon Resistor (chip) | 33K 63M J | | | 01 |
| R0073 | RD357150 | Carbon Resistor (chip) | 15K 63M J | | | 01 |
| R0076 | RD358150 | Carbon Resistor (chip) | 150K 63M J | | | 01 |
| R0078 | RD357100 | Carbon Resistor (chip) | 10K 63M J | | | 01 |
| R0079 | RD350000 | Carbon Resistor (chip) | 0 63M J | | | 01 |
| R0080 | RD350000 | Carbon Resistor (chip) | 0 63M J | | | 01 |
| R0083 | RD356100 | Carbon Resistor (chip) | 1.0K 63M J | | | 01 |
| R0084 | RD356100 | Carbon Resistor (chip) | 1.0K 63M J | | | 01 |
| R0085 | RD355100 | Carbon Resistor (chip) | 100 63M J | | | 01 |
| R0086 | RD355100 | Carbon Resistor (chip) | 100 63M J | | | 01 |
| RY001 | V7358200 | Relay | DC FBR12WD12 | | | 04 |
| * RY001 | V8245600 | Relay | DC ATX203 | | | 04 |
| * RY001 | V8616500 | Relay | DC G6S-2 | | | 04 |
| RY002 | V7358200 | Relay | DC FBR12WD12 | | | 04 |
| * RY002 | V8245600 | Relay | DC ATX203 | | | 04 |
| * RY002 | V8616500 | Relay | DC G6S-2 | | | 04 |
| RY003 | VK881200 | Relay | DC G5Z-2A-YA | | | 04 |
| TR001 | VV556400 | Transistor | 2SC2412K Q,R,S | | | 01 |
| * TR001 | V4767500 | Transistor | 2SC2SD601A-(TX) Q, | | | 01 |
| TR002 | VV556400 | Transistor | 2SC2412K Q,R,S | | | 01 |
| * TR002 | V4767500 | Transistor | 2SC2SD601A-(TX) Q, | | | 01 |
| TR003 | VV556400 | Transistor | 2SC2412K Q,R,S | | | 01 |
| * TR003 | V4767500 | Transistor | 2SC2SD601A-(TX) Q, | | | 01 |
| | VN637600 | Circuit Board | PL (YCJ) | (VN63740)(XL151B0) | | 03 |
| | VB858100 | Connector Base Post | PH- 2P SE | | | 01 |
| | VD180000 | LED | SLZ-190B-03 RE | POWER | | 01 |
| | VU659100 | Circuit Board | PL (YMMA) | (VU65900)(XR898A0) | | 03 |
| | VB858100 | Connector Base Post | PH- 2P SE | | | 01 |
| | VD180000 | LED | SLZ-190B-03 RE | POWER | | 01 |
| * | V8496800 | Circuit Board | PNL | (V849670)(X0520D0) | | |
| * | V8496900 | Circuit Board | PNR | (V849670)(X0520D0) | | |
| | -- | Jumper Wire | 0.55 | (VD04170) | | |
| | -- | GND Wire | | (V803890) | | |
| C0301 | UA354220 | Mylar Capacitor | 0.0220 50V J | | | |
| -0304 | UA354220 | Mylar Capacitor | 0.0220 50V J | | | |
| CN101 | VK015400 | Connector Base Post | PH-13P SE | | | 01 |
| CN102 | VB858800 | Connector Base Post | PH- 9P SE | | | 01 |
| CN201 | VK015400 | Connector Base Post | PH-13P SE | | | 01 |
| CN202 | VB858800 | Connector Base Post | PH- 9P SE | | | 01 |
| CN301 | VB858700 | Connector Base Post | PH- 8P SE | | | 01 |
| D0101 | VB941200 | Diode | 1SS133,1SS176 | | | 01 |
| -0108 | VB941200 | Diode | 1SS133,1SS176 | | | 01 |
| D0101 | VD631600 | Diode | 1SS133,176,HSS104 | | | 01 |
| -0108 | VD631600 | Diode | 1SS133,176,HSS104 | | | 01 |
| D0201 | VB941200 | Diode | 1SS133,1SS176 | | | 01 |
| -0218 | VB941200 | Diode | 1SS133,1SS176 | | | 01 |
| D0201 | VD631600 | Diode | 1SS133,176,HSS104 | | | 01 |
| -0218 | VD631600 | Diode | 1SS133,176,HSS104 | | | 01 |
| D0221 | VB941200 | Diode | 1SS133,1SS176 | | | 01 |
| -0224 | VB941200 | Diode | 1SS133,1SS176 | | | 01 |
| D0221 | VD631600 | Diode | 1SS133,176,HSS104 | | | 01 |
| -0224 | VD631600 | Diode | 1SS133,176,HSS104 | | | 01 |
| LD101 | VQ323900 | LED Display | SL-9351S | TEMPO/OTHER VALUE | | 05 |
| LD102 | VD180000 | LED | SLZ-190B-03 RE | TEMPO | | 01 |
| LD103 | VD180000 | LED | SLZ-190B-03 RE | FUNCTION # | | 01 |
| LD104 | VU067800 | LED | SEL6210S-TP5 RE | PRESET | | 01 |
| LD201 | V8066800 | LED | SML72423CTP15RE/GR | TRACK1 | | 01 |
| LD202 | V8066800 | LED | SML72423CTP15RE/GR | TRACK2 | | 01 |
| LD203 | VU067800 | LED | SEL6210S-TP5 RE | GRAND PIANO1 | | 01 |
| LD204 | VU067800 | LED | SEL6210S-TP5 RE | GRAND PIANO2 | | 01 |

*: New Parts

RANK: Japan only

| REF NO. | PART NO. | DESCRIPTION | REMARKS | QTY | RANK |
|---------|----------|-----------------|-----------------|-----------------|------|
| LD205 | VU067800 | LED | SEL6210S-TP5 RE | E.PIANO1 | 01 |
| LD206 | VU067800 | LED | SEL6210S-TP5 RE | E.PIANO2 | 01 |
| LD207 | VU067800 | LED | SEL6210S-TP5 RE | HARPSICHORD1 | 01 |
| LD208 | VU067800 | LED | SEL6210S-TP5 RE | HARPSICHORD2 | 01 |
| LD209 | VU067800 | LED | SEL6210S-TP5 RE | VIBRAPHONE | 01 |
| LD210 | VU067800 | LED | SEL6210S-TP5 RE | CHURCH ORGAN1 | 01 |
| LD211 | VU067800 | LED | SEL6210S-TP5 RE | CHURCH ORGAN2 | 01 |
| LD212 | VU067800 | LED | SEL6210S-TP5 RE | JAZZ ORGAN | 01 |
| LD213 | VU067800 | LED | SEL6210S-TP5 RE | STRINGS1 | 01 |
| LD214 | VU067800 | LED | SEL6210S-TP5 RE | STRINGS2 | 01 |
| LD215 | VU067800 | LED | SEL6210S-TP5 RE | CHOIR | 01 |
| LD216 | VU067800 | LED | SEL6210S-TP5 RE | GUITAR | 01 |
| LD219 | VD180000 | LED | SLZ-190B-03 RE | ROOM | 01 |
| LD220 | VD180000 | LED | SLZ-190B-03 RE | HALL1 | 01 |
| LD221 | VD180000 | LED | SLZ-190B-03 RE | HALL2 | 01 |
| LD222 | VD180000 | LED | SLZ-190B-03 RE | STAGE | 01 |
| LD223 | VD180000 | LED | SLZ-190B-03 RE | CHORUS | 01 |
| LD224 | VD180000 | LED | SLZ-190B-03 RE | PHASER | 01 |
| LD225 | VD180000 | LED | SLZ-190B-03 RE | TREMOLO | 01 |
| LD226 | VD180000 | LED | SLZ-190B-03 RE | DELAY | 01 |
| LD227 | VD180000 | LED | SLZ-190B-03 RE | HARD | 01 |
| LD228 | VD180000 | LED | SLZ-190B-03 RE | MEDIUM | 01 |
| LD229 | VD180000 | LED | SLZ-190B-03 RE | SOFT | 01 |
| LD230 | VU067800 | LED | SEL6210S-TP5 RE | ON | 01 |
| R0101 | HF754470 | Carbon Resistor | 47.0 1/4 J | | 01 |
| -0109 | HF754470 | Carbon Resistor | 47.0 1/4 J | | 01 |
| R0201 | HF754470 | Carbon Resistor | 47.0 1/4 J | | 01 |
| -0203 | HF754470 | Carbon Resistor | 47.0 1/4 J | | 01 |
| R0301 | HF756820 | Carbon Resistor | 8.2K 1/4 J | | 01 |
| R0302 | HF756820 | Carbon Resistor | 8.2K 1/4 J | | 01 |
| SW101 | VV439800 | Tact Switch | SKQNAJ | DEMO | 01 |
| SW101 | V8889300 | Tact Switch | EVQ 11Y 07K | DEMO | 01 |
| SW102 | VV439800 | Tact Switch | SKQNAJ | METRONOME | 01 |
| SW102 | V8889300 | Tact Switch | EVQ 11Y 07K | METRONOME | 01 |
| SW103 | VV439800 | Tact Switch | SKQNAJ | TEMPO/FUNCTION# | 01 |
| SW103 | V8889300 | Tact Switch | EVQ 11Y 07K | TEMPO/FUNCTION# | 01 |
| SW104 | VV439800 | Tact Switch | SKQNAJ | DOWN | 01 |
| SW104 | V8889300 | Tact Switch | EVQ 11Y 07K | DOWN | 01 |
| SW105 | VV439800 | Tact Switch | SKQNAJ | UP | 01 |
| SW105 | V8889300 | Tact Switch | EVQ 11Y 07K | UP | 01 |
| SW106 | VV439800 | Tact Switch | SKQNAJ | -/NO | 01 |
| SW106 | V8889300 | Tact Switch | EVQ 11Y 07K | -/NO | 01 |
| SW107 | VV439800 | Tact Switch | SKQNAJ | + /YES | 01 |
| SW107 | V8889300 | Tact Switch | EVQ 11Y 07K | + /YES | 01 |
| SW108 | VV439800 | Tact Switch | SKQNAJ | PRESET | 01 |
| SW108 | V8889300 | Tact Switch | EVQ 11Y 07K | PRESET | 01 |
| SW201 | VV439800 | Tact Switch | SKQNAJ | TRACK1 | 01 |
| SW201 | V8889300 | Tact Switch | EVQ 11Y 07K | TRACK1 | 01 |
| SW202 | VV439800 | Tact Switch | SKQNAJ | TRACK2 | 01 |
| SW202 | V8889300 | Tact Switch | EVQ 11Y 07K | TRACK2 | 01 |
| SW203 | VV439800 | Tact Switch | SKQNAJ | SONG START/STOP | 01 |
| SW203 | V8889300 | Tact Switch | EVQ 11Y 07K | SONG START/STOP | 01 |
| SW204 | VV439800 | Tact Switch | SKQNAJ | REC | 01 |
| SW204 | V8889300 | Tact Switch | EVQ 11Y 07K | REC | 01 |
| SW205 | VV439800 | Tact Switch | SKQNAJ | GRAND PIANO1 | 01 |
| SW205 | V8889300 | Tact Switch | EVQ 11Y 07K | GRAND PIANO1 | 01 |
| SW206 | VV439800 | Tact Switch | SKQNAJ | GRAND PIANO2 | 01 |
| SW206 | V8889300 | Tact Switch | EVQ 11Y 07K | GRAND PIANO2 | 01 |
| SW207 | VV439800 | Tact Switch | SKQNAJ | E.PIANO1 | 01 |
| SW207 | V8889300 | Tact Switch | EVQ 11Y 07K | E.PIANO1 | 01 |
| SW208 | VV439800 | Tact Switch | SKQNAJ | E.PIANO2 | 01 |
| SW208 | V8889300 | Tact Switch | EVQ 11Y 07K | E.PIANO2 | 01 |
| SW209 | VV439800 | Tact Switch | SKQNAJ | HARPSICHORD1 | 01 |
| SW209 | V8889300 | Tact Switch | EVQ 11Y 07K | HARPSICHORD1 | 01 |
| SW210 | VV439800 | Tact Switch | SKQNAJ | HARPSICHORD2 | 01 |
| SW210 | V8889300 | Tact Switch | EVQ 11Y 07K | HARPSICHORD2 | 01 |
| SW211 | VV439800 | Tact Switch | SKQNAJ | VIBRAPHONE | 01 |
| SW211 | V8889300 | Tact Switch | EVQ 11Y 07K | VIBRAPHONE | 01 |
| SW212 | VV439800 | Tact Switch | SKQNAJ | CHURCH ORGAN1 | 01 |
| SW212 | V8889300 | Tact Switch | EVQ 11Y 07K | CHURCH ORGAN1 | 01 |

*: New Parts

RANK: Japan only

| REF NO. | PART NO. | DESCRIPTION | | REMARKS | QTY | RANK |
|---------|----------|-------------------------|--------------------|--------------------------|-----|------|
| SW213 | VV439800 | Tact Switch | SKQNAJ | CHURCH ORGAN2 | | 01 |
| SW213 | V8889300 | Tact Switch | EVQ 11Y 07K | CHURCH ORGAN2 | | 01 |
| SW214 | VV439800 | Tact Switch | SKQNAJ | JAZZ ORGAN | | 01 |
| SW214 | V8889300 | Tact Switch | EVQ 11Y 07K | JAZZ ORGAN | | 01 |
| SW215 | VV439800 | Tact Switch | SKQNAJ | STRINGS1 | | 01 |
| SW215 | V8889300 | Tact Switch | EVQ 11Y 07K | STRINGS1 | | 01 |
| SW216 | VV439800 | Tact Switch | SKQNAJ | STRINGS2 | | 01 |
| SW216 | V8889300 | Tact Switch | EVQ 11Y 07K | STRINGS2 | | 01 |
| SW217 | VV439800 | Tact Switch | SKQNAJ | CHOIR | | 01 |
| SW217 | V8889300 | Tact Switch | EVQ 11Y 07K | CHOIR | | 01 |
| SW218 | VV439800 | Tact Switch | SKQNAJ | GUITAR | | 01 |
| SW218 | V8889300 | Tact Switch | EVQ 11Y 07K | GUITAR | | 01 |
| SW221 | VV439800 | Tact Switch | SKQNAJ | REVERB | | 01 |
| SW221 | V8889300 | Tact Switch | EVQ 11Y 07K | REVERB | | 01 |
| SW222 | VV439800 | Tact Switch | SKQNAJ | EFFECT | | 01 |
| SW222 | V8889300 | Tact Switch | EVQ 11Y 07K | EFFECT | | 01 |
| SW223 | VV439800 | Tact Switch | SKQNAJ | TOUCH | | 01 |
| SW223 | V8889300 | Tact Switch | EVQ 11Y 07K | TOUCH | | 01 |
| SW224 | VV439800 | Tact Switch | SKQNAJ | TRANSPOSE | | 01 |
| SW224 | V8889300 | Tact Switch | EVQ 11Y 07K | TRANSPOSE | | 01 |
| VR301 | V4007500 | Slide Variable Resistor | 1B10K RS30112A9A02 | MASTER VOLUME | | 03 |
| VR302 | V0042000 | Slide Variable Resistor | B 10.0K RS30112C9 | BRILLIANCE | | 03 |
| | V0010700 | Circuit Board | PS | J (V001130)(XU372E0) | | 11 |
| | V0010800 | Circuit Board | PS | U (V001140)(XU372E0) | | 11 |
| | V0011000 | Circuit Board | PS | E,B,K (V001150)(XU372E0) | | 11 |
| | V0011100 | Circuit Board | PS | N (V001160)(XU372E0) | | 12 |
| | LB201530 | Fuse Holder | PC-PH1 | | | 01 |
| | -- | Jumper Wire | 0.55 | (VD04170) | | |
| | VT139600 | Voltage Selector | M1684-E | N | | 04 |
| | VT308100 | AC Inlet | CCT9302-0101M | J,E,B,N,K | | 02 |
| | VT308200 | AC Inlet | CCT9302-0201 | U | | 02 |
| C1 | FI383470 | Capacitor | 4700P 400V U.C.S.V | | | 01 |
| C1 | VY675100 | Capacitor | 4700P 250V J.U.C.S | | | 01 |
| C2 | FI383470 | Capacitor | 4700P 400V U.C.S.V | | | 01 |
| C2 | VY675100 | Capacitor | 4700P 250V J.U.C.S | | | 01 |
| C3 | VT575200 | Capacitor | 0.01 400V J.U.C.S | | | 01 |
| C3 | VY675000 | Capacitor | 0.010 250V J.U.C.S | | | 01 |
| C4 | UA654470 | Mylar Capacitor | 0.0470 50V J | | | 01 |
| C5 | V2126200 | Electrolytic Cap. | 10000 25.0V | | | 04 |
| C6 | UJ866330 | Electrolytic Cap. | 3.30 50.0V | U,E,B,N,K | | 01 |
| C6 | UR866330 | Electrolytic Cap. | 3.30 50.0V | J | | 01 |
| D1 | VB481900 | Diode | 11ES4 | | | 01 |
| D1 | VF195600 | Diode | 11ES4 TA1 | | | 01 |
| D2 | VB481900 | Diode | 11ES4 | | | 01 |
| D2 | VF195600 | Diode | 11ES4 TA1 | | | 01 |
| F1 | KB003040 | Fuse | 1.00A S | E,B,K | | 01 |
| F1 | KB003570 | Fuse | 2.00A JU | J,U,N | | 01 |
| F2 | KB003040 | Fuse | 1.00A S | N | | 01 |
| F3 | KB003240 | Fuse | 5.00A S | E,B,N,K | | 01 |
| F3 | KB003630 | Fuse | 5.00A JU | J,U | | 01 |
| J1 | -- | Jumper Wire | 0.55 | J,E,B,K (VD04170) | | |
| J2 | -- | Jumper Wire | 0.55 | U (VD04170) | | |
| L1 | VF790900 | Coil | SU10V-D20010 | | | 03 |
| R1 | HF456100 | Carbon Resistor | 1.0K 1/4 J | | | 01 |
| R1 | HF756100 | Carbon Resistor | 1.0K 1/4 J | | | 01 |
| CN1 | LB932030 | Base Post Connector | VH- 3P TE | | | 01 |
| CN2 | LB918050 | Base Post Connector | XH 5P TE | | | 01 |
| DB1 | VN011300 | Diode Stack | D3SBA20 4.0A 200V | | | 03 |
| | V2337300 | Circuit Board | PEDAL | (V233740)(XR780B0) | | 07 |
| | VB390200 | Connector Base Post | PH- 6P TE | | | 01 |
| | -- | Jumper Wire | 0.55 | (VD04170) | | |
| | -- | GND Wire | L=30 | (VZ01760) | | |
| * | X2423A00 | Speaker | 16.0cm 4ohm 20W | | | |
| | VU456000 | Rubber Contact | 1 PEDAL | | | 03 |
| | XU445A00 | Power Transformer | J/UL/CSA A | J,U | | 09 |

*: New Parts

RANK: Japan only



| REF NO. | PART NO. | DESCRIPTION | | REMARKS | QTY | RANK |
|---------|-----------------|-------------------|-------------------|---|-----|------|
| | XU446A00 | Power Transformer | IEC65 E | E,K | | 09 |
| | XU447A00 | Power Transformer | N IEC65 E | N | | 09 |
| | VC843500 | Push Switch | SDDL1216A J.U.C.S | POWER | | 03 |
| | VY846700 | Rubber Contact | GH 2M OCT | D0~C#1,D1~C#2,D2~C#3, D3~C#4,D4~C#5,D5~C#6 | | 08 |
| | VY846800 | Rubber Contact | GH 2M OCT | A-1~C#0 | | 08 |
| | VY846900 | Rubber Contact | GH 2M OCT | D6~C7 | | 08 |
| | | | | | | |
| | | | | | | |
| | | | | | | |
| | | | | | | |
| | | | | | | |
| | | | | | | |
| | | | | | | |
| | | | | | | |
| | | | | | | |
| | | | | | | |
| | | | | | | |
| | | | | | | |
| | | | | | | |
| | | | | | | |
| | | | | | | |
| | | | | | | |

*: New Parts

RANK: Japan only