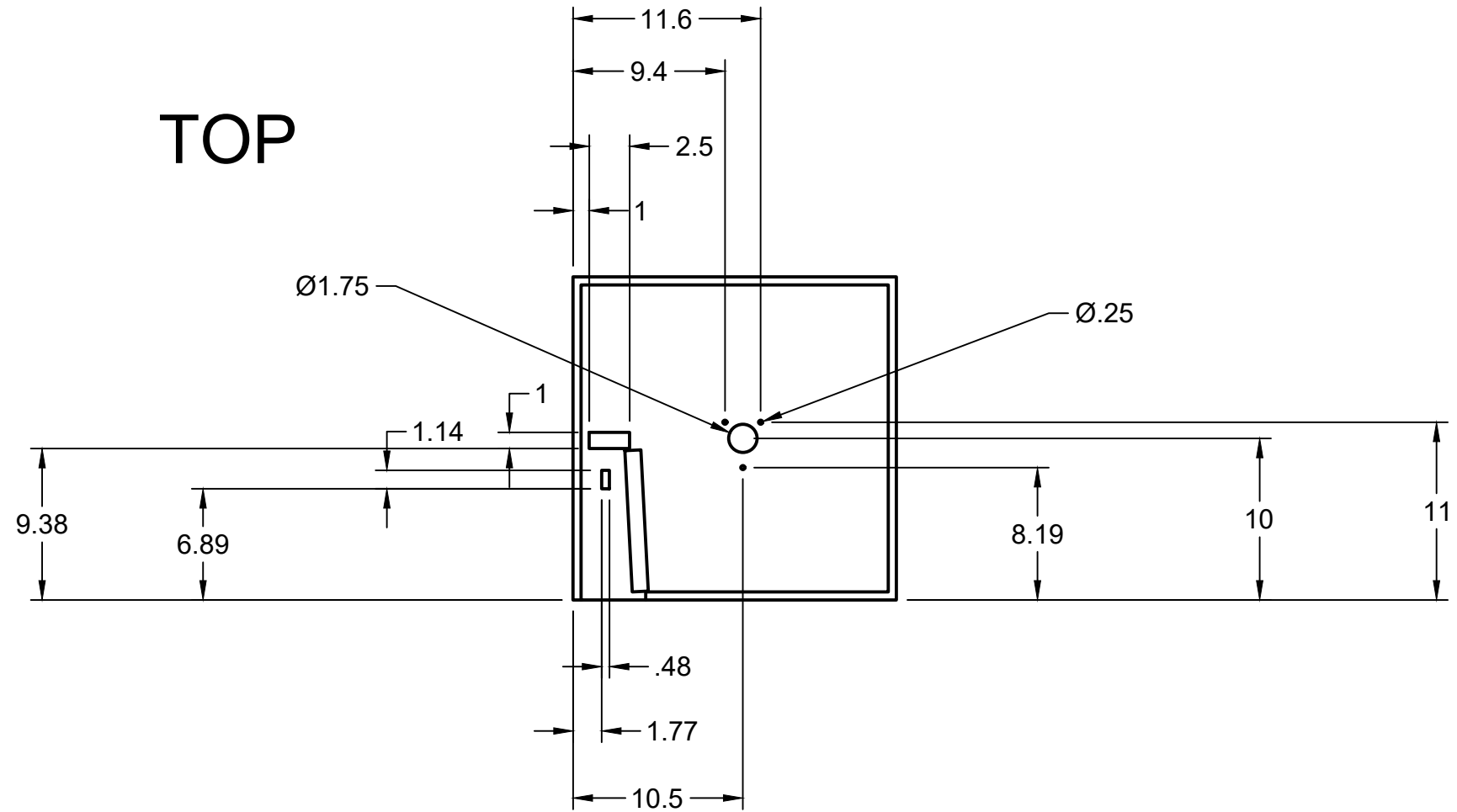
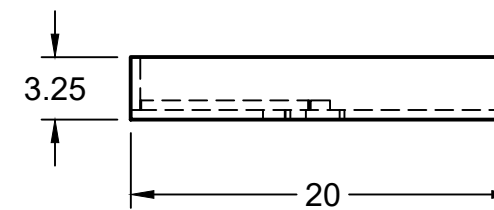


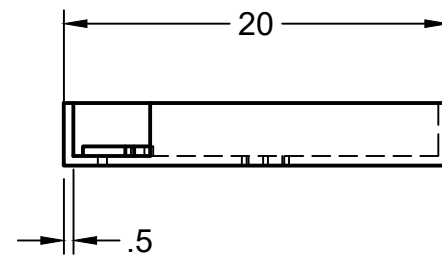
TOP



RIGHT



FRONT



		PROJECT 607_Praneel		
		TITLE Fetch-O-Matic Model [V2]		
UNIT: MM		SIZE	CODE	DWG NO
APPROVED		B		
CHECKED				REV
DRAWN	Praneel Baskar 3/18/2024	SCALE 1:10	WEIGHT	SHEET 1/3