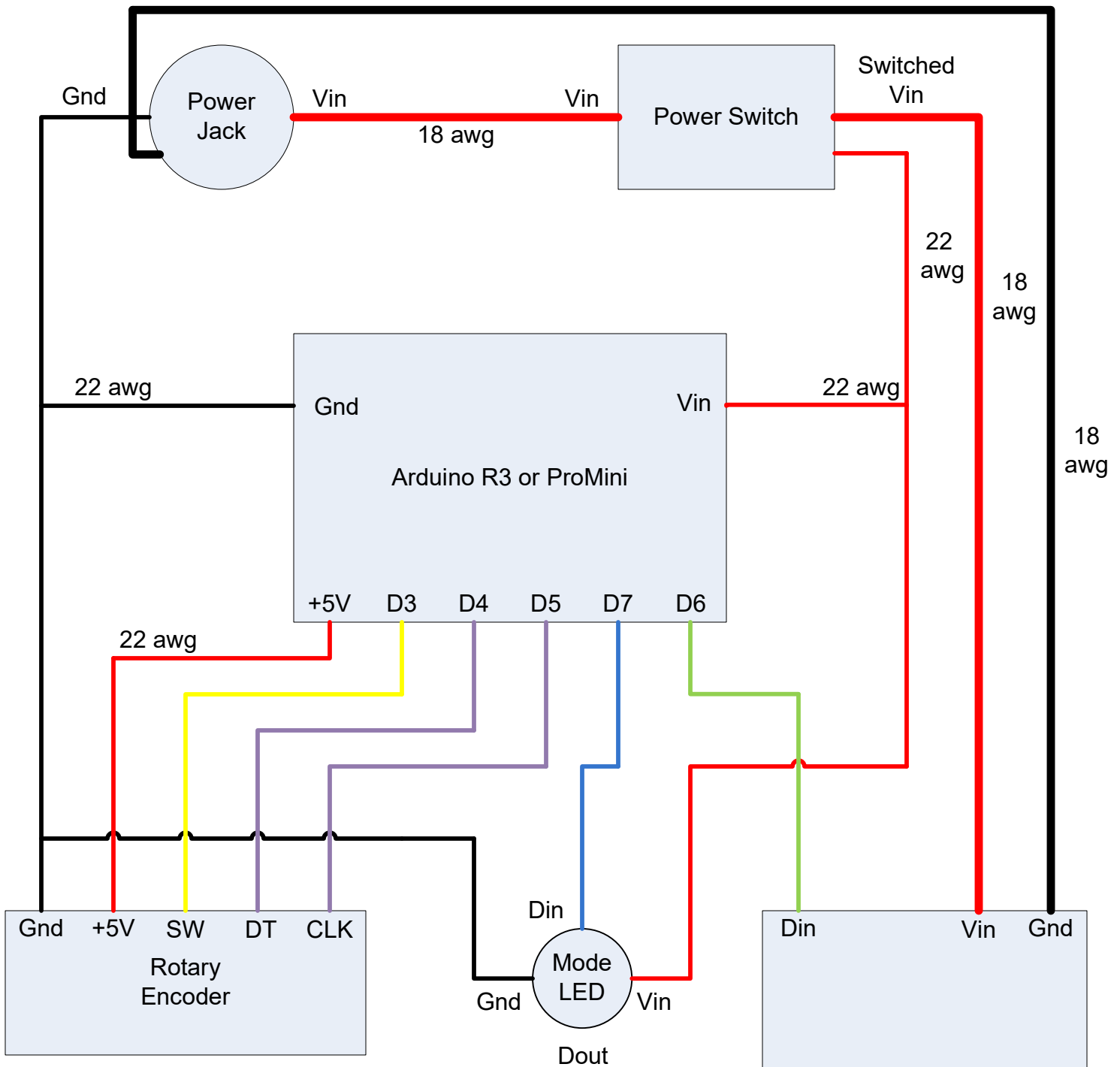


LED Cube Wiring Diagram



APA106 LEDs can operate on 4.6-6V DC. With this wiring it is possible to use a 6V, 4A power supply. The regulator on the Arduino will provide 5V for the Arduino and the Rotary Encoder. The LED Cube and Mode LED will run on 6V.

You must wire the LED Cube this way. The reason is that the 5V regulator on the Arduino cannot provide enough current to run the 64 LEDs in the cube.