

DESIGN RECIPE

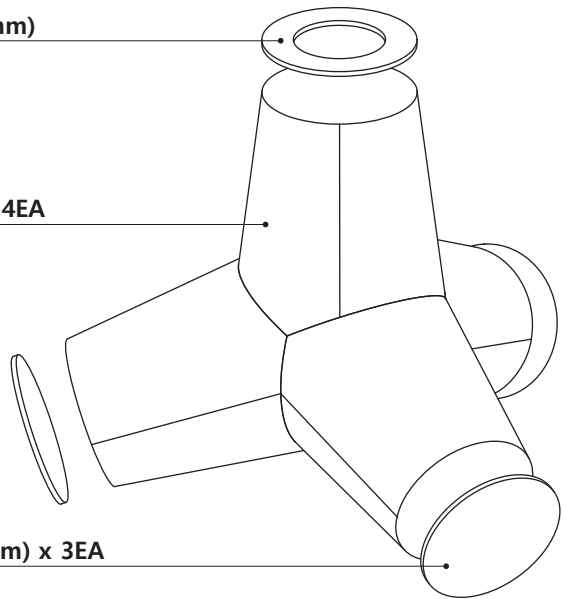
# Tetrapod Candle Holder



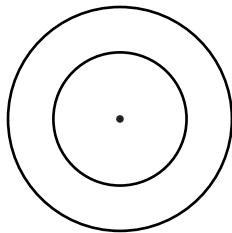
Foamex (1mm)  
Part A

OHP Film x 4EA  
Part B

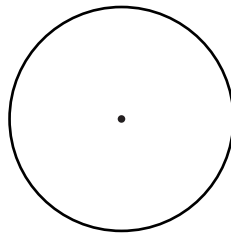
FOMEX (1mm) x 3EA  
Part C



Part A



Part C



Part B

