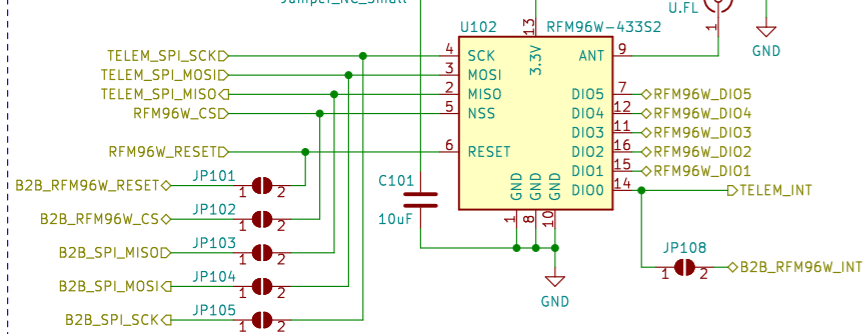
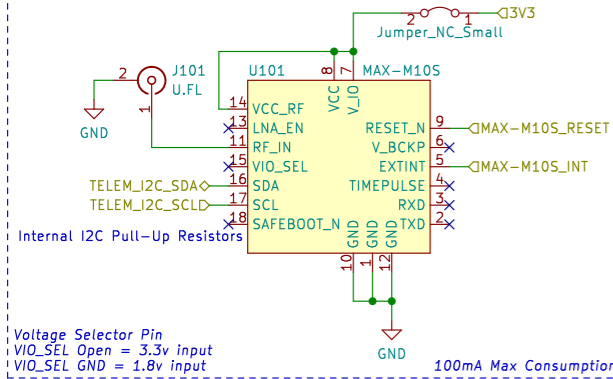


LoRa Radio Module



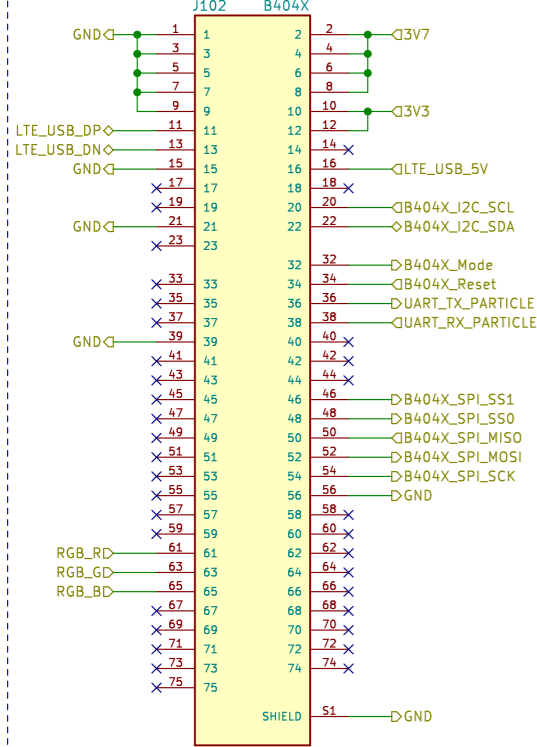
Jumper pads connect RFM96W to Teensy in event of ESP32 failure
120mA Max Consumption

GNSS Module

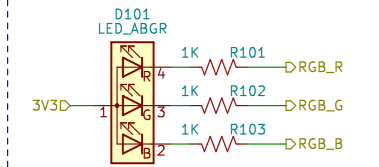


100mA Max Consumption

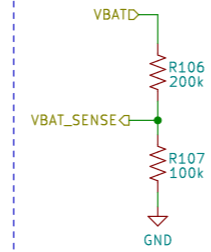
LTE Module



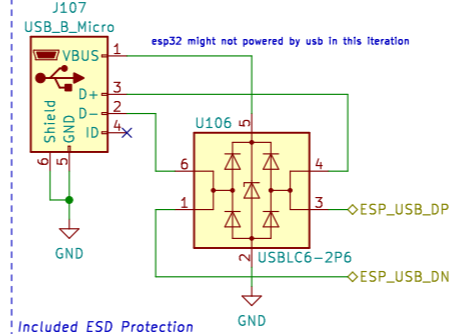
B404X RGB LED



VBAT Sense

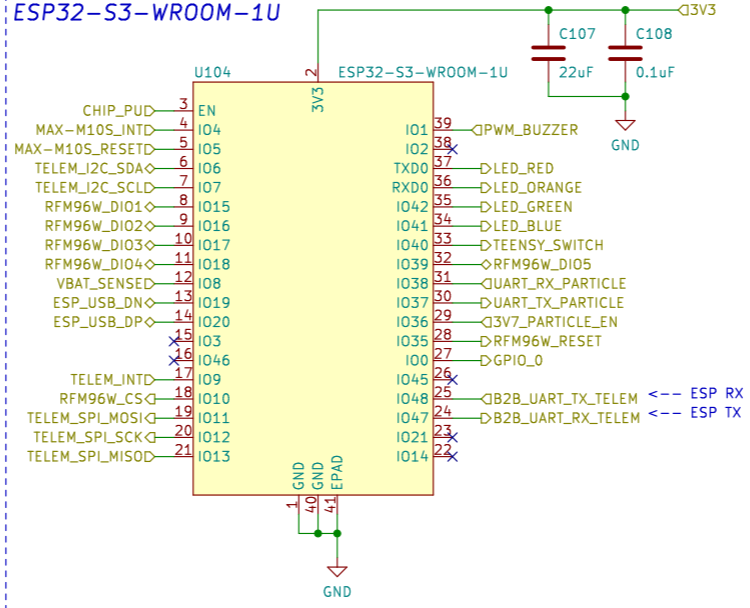


ESP32 USB Port



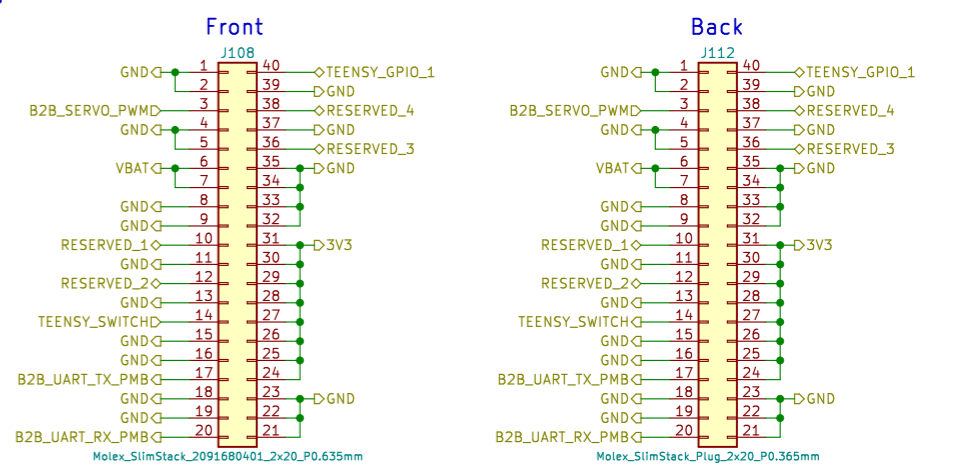
Included ESD Protection

Microcontroller



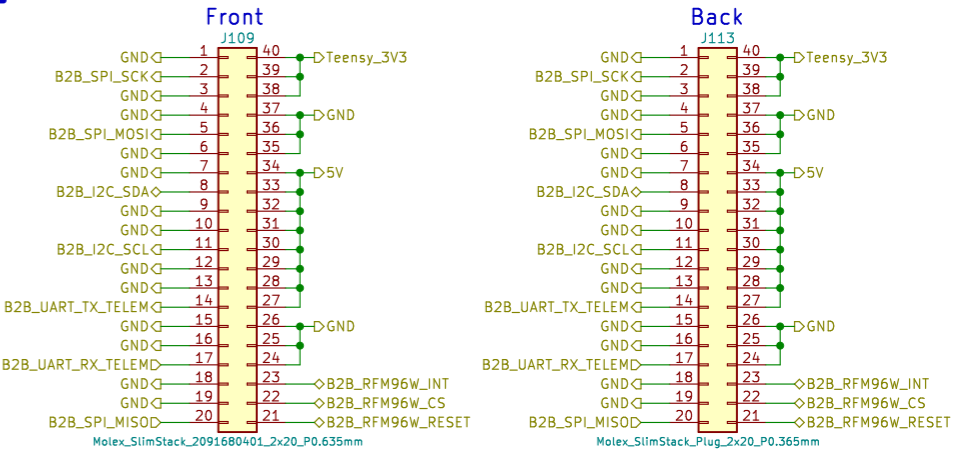
+Z

Board-To-Board Connectors

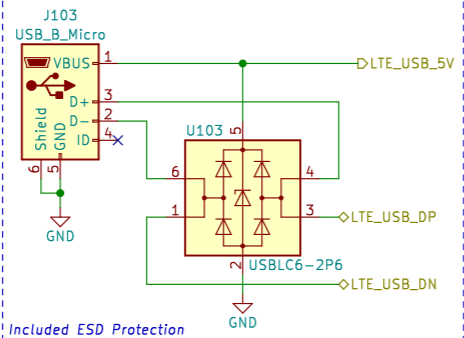


-Z

Board-To-Board Connectors

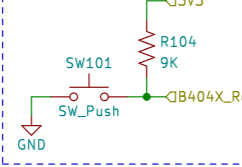


B404X USB Port

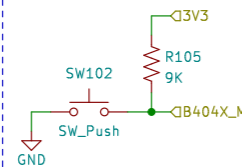


Included ESD Protection

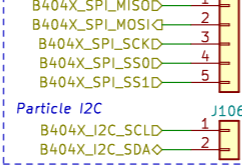
B404X Reset Button



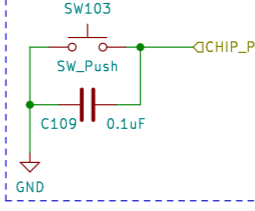
B404X Mode Button



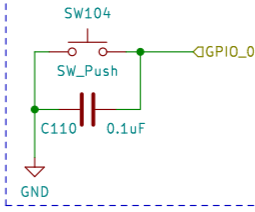
B404X Expansion IO



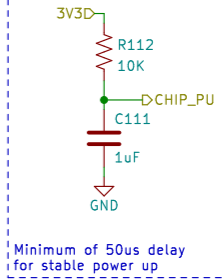
ESP32 Reset Button



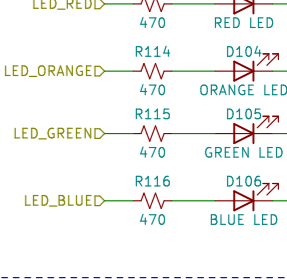
ESP32 Boot Option



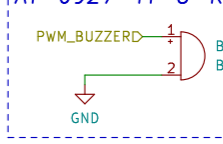
ESP32 Boot Delay



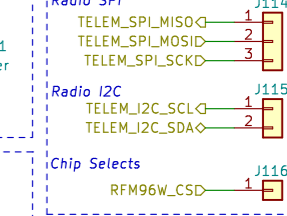
Status LEDs



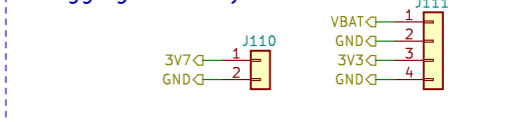
PIEZO BUZZER



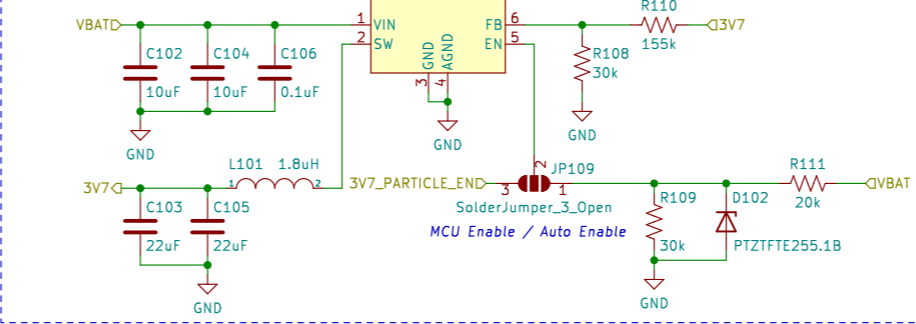
Debug Pins



Power Supply Input



3.7V Voltage Regulator



Contributors: Peter Giannetos, Eisha Peyyeti, Danny Guller, Rishi Patel

Illinois Space Society

Sheet: /
File: TARS-MK4-TELEM.kicad_sch
Title: TARS MK4 Telemetry
Size: A3 Date: 2023-02-14
KICad E.D.A. eeschema (6.0.0) **Rev: B**
Id: 1/1