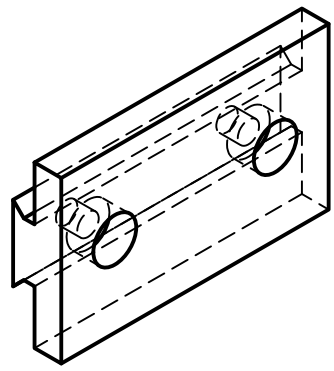
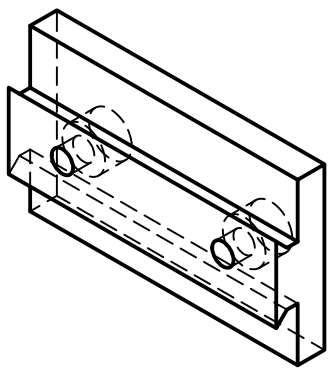


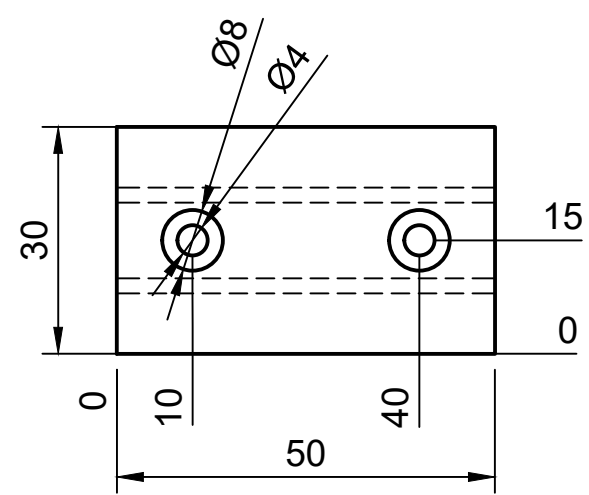
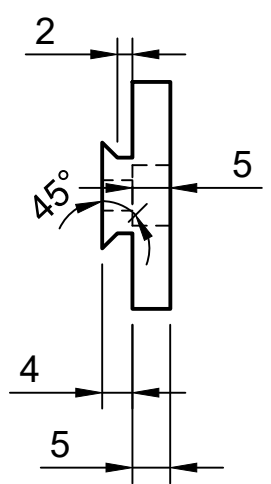
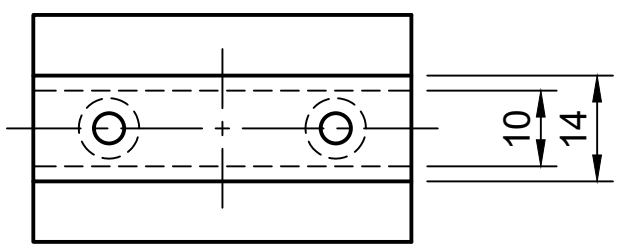
1 2 3 4 5 6 7 8

A



B

C



D

E

1.0	First Design	2023/12/26	T.L
Rev	Description	Date	Approved
Revision History			

Dept.	Technical reference	Created by Thomas Leftwite '23/12/26	Approved by	
		Document type	Document status	
		Title SolderingVise Cap	DWG No.	
Rev.	Date of issue		Sheet	
1.0	'23/12/26	1/1		

F

1 2 3 4 5 6 7 8