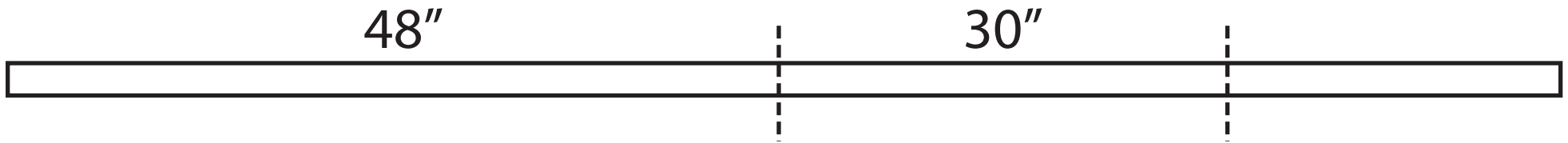


Rolling Tool Cart - Soldering

MATERIAL CUT LIST

Material: 2x4 plank*
Specs: 8' long
Quantity: 3

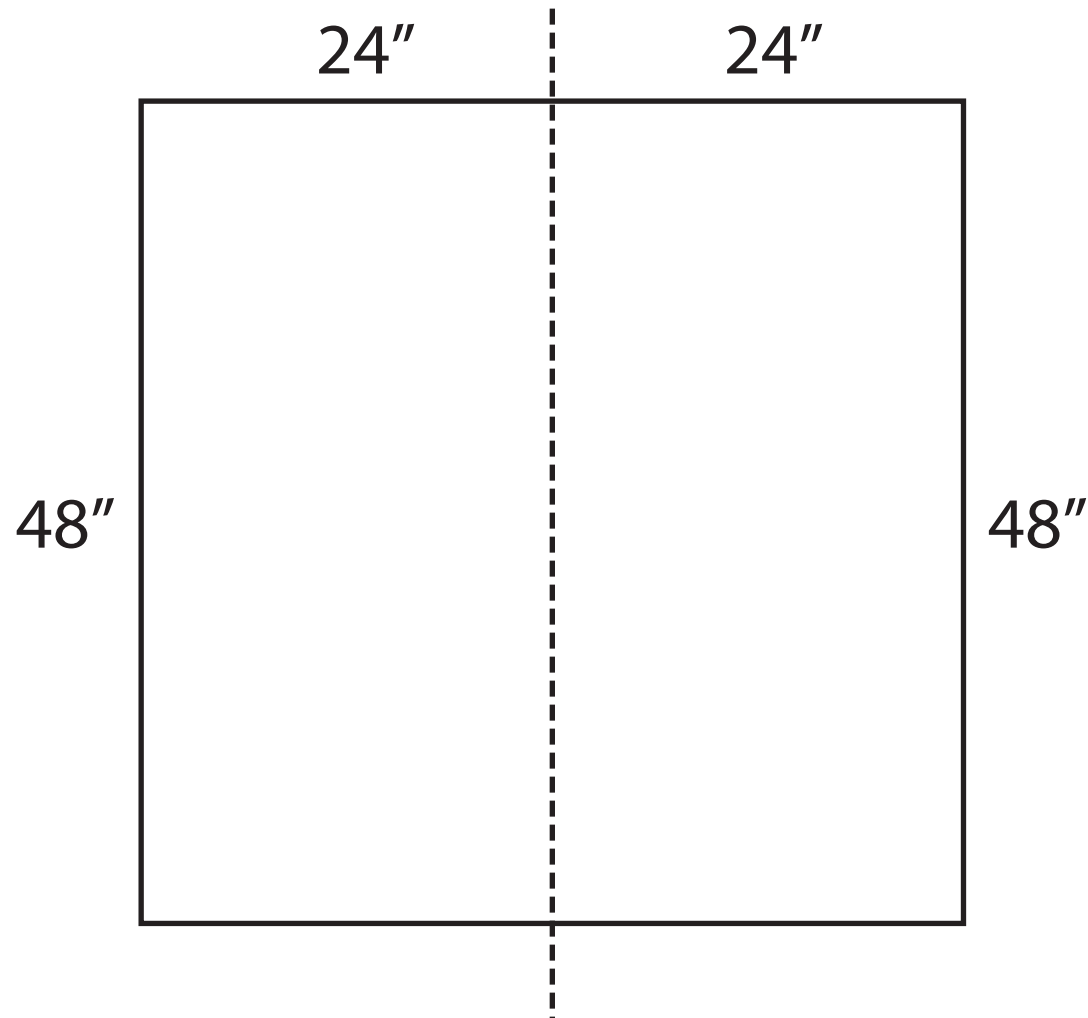
* For reference: 2x4 planks actually measure 3 1/2" by 1 1/2"



Rolling Tool Cart - Soldering

MATERIAL CUT LIST

Material: 1/4" pegboard
Specs: 48"x 48" sheet
Quantity: 1



Rolling Tool Cart - Soldering

MATERIAL CUT LIST

Material: 5/8" particle board
Specs: 24" x 48" sheet
Quantity: 1

