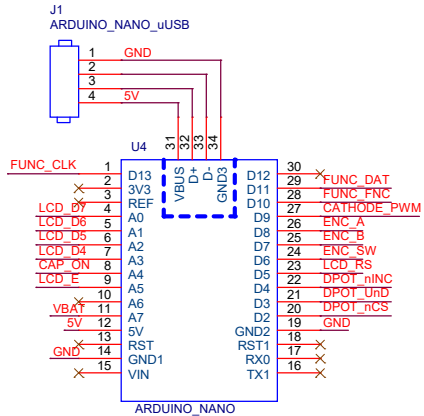
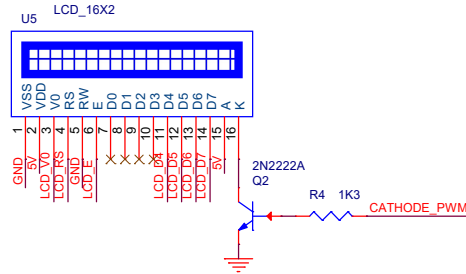


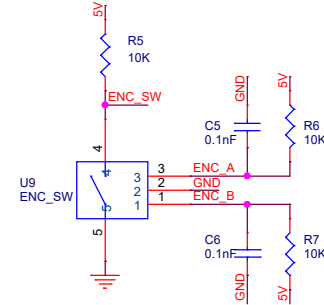
Arduino Nano:



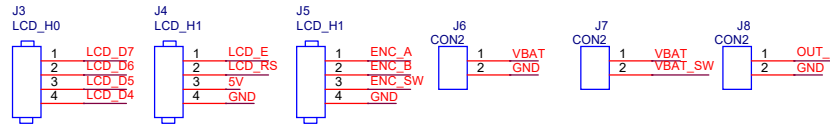
LCD:



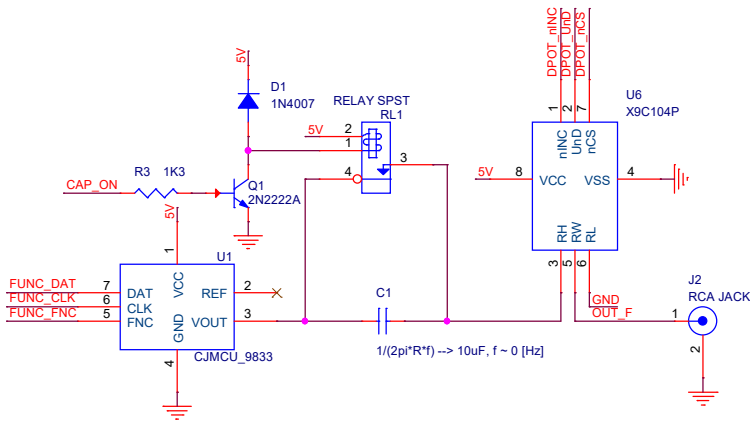
Encoder:



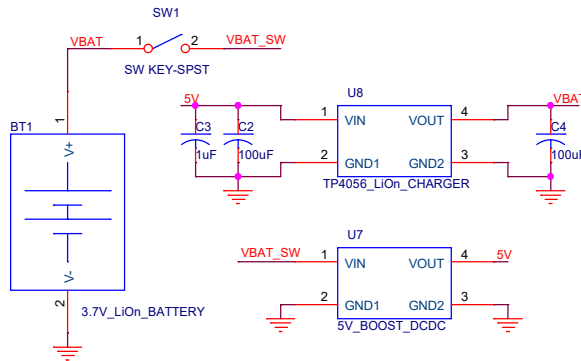
JST Connectors:



AD9833 & Output:



Power Supply:



Title		
Portable Function Generator by: Farasky		
Size	Document Number	Rev
Custom<Doc>		V1.0
Date:	Wednesday, August 29, 2018	Sheet 1 of 1