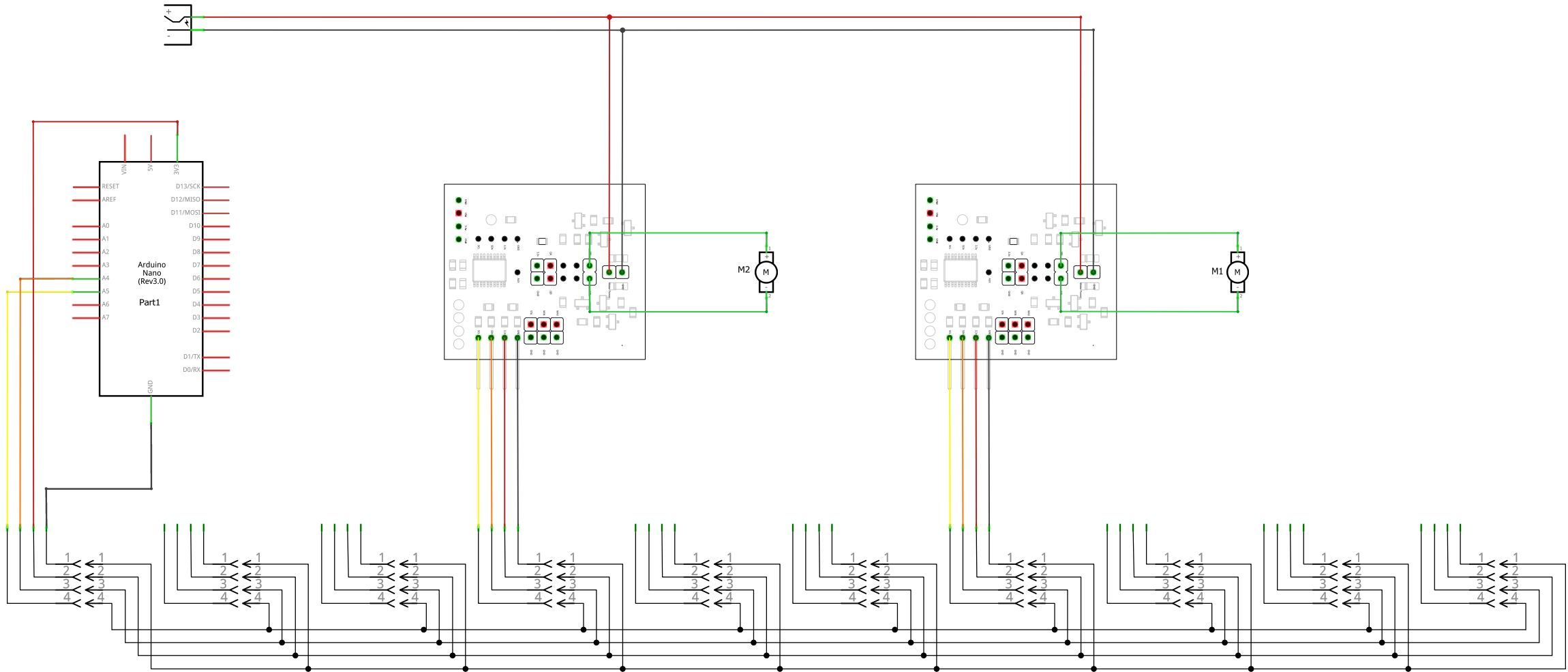


Power plug1
Motor Power



B1