

8 7 6 5 4 3 2 1

F

F

E

E

D

D

C

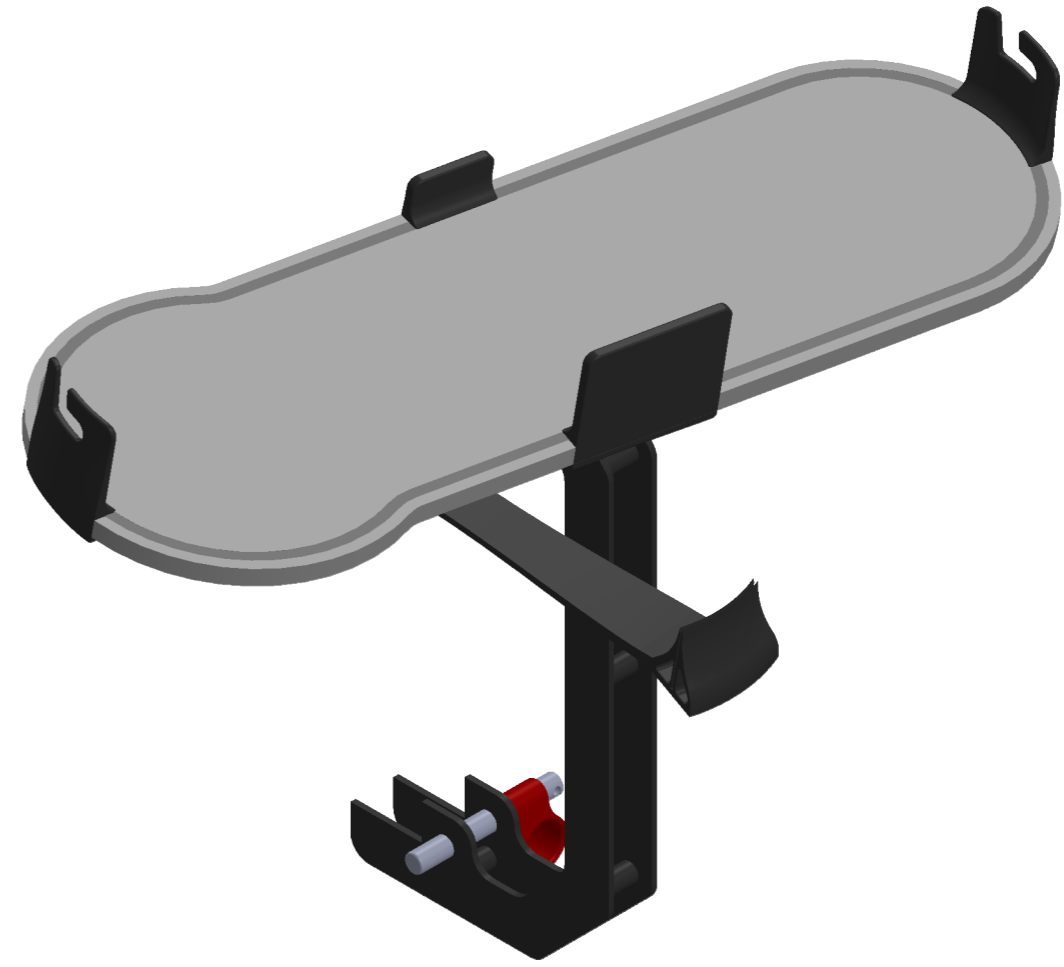
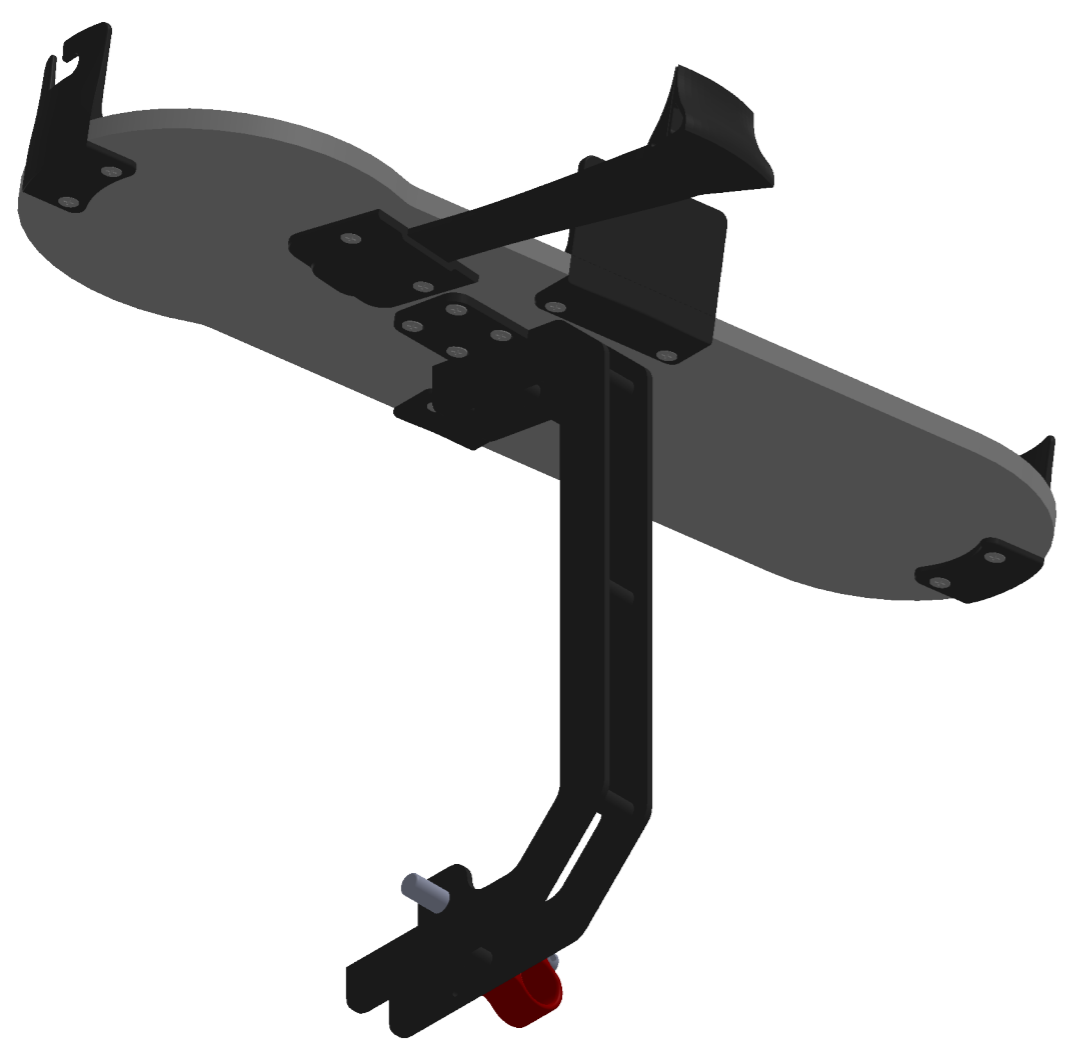
C

B

B

A

A

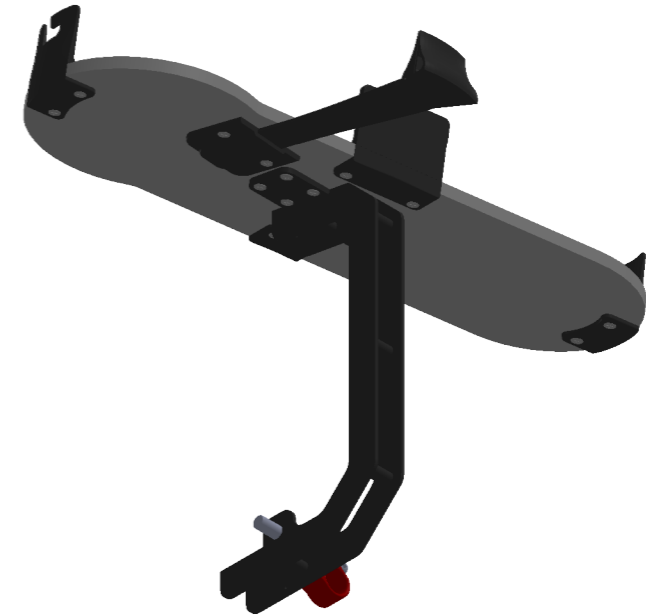
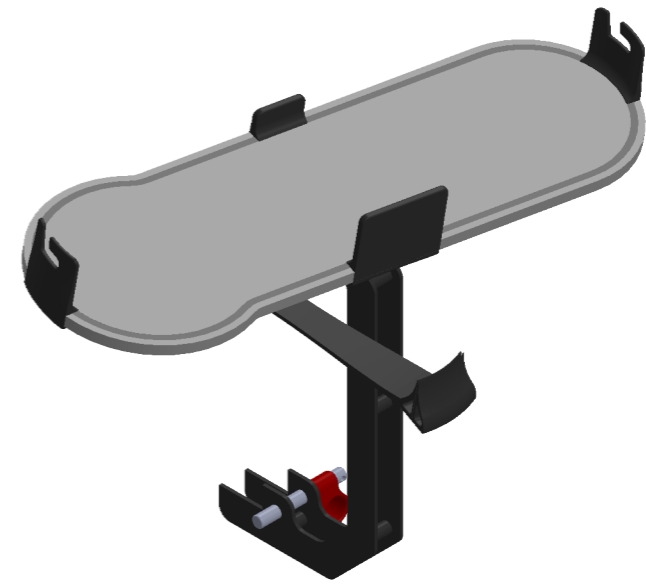
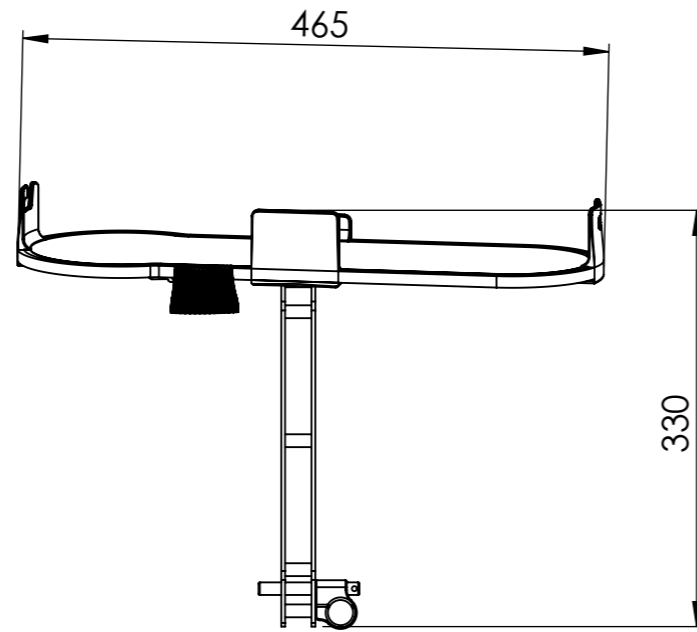
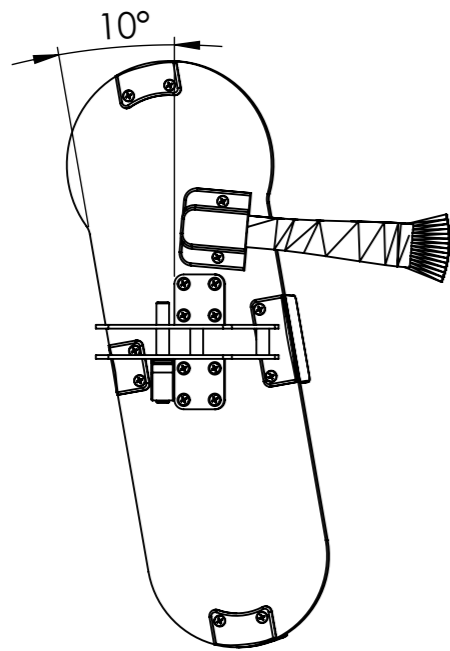
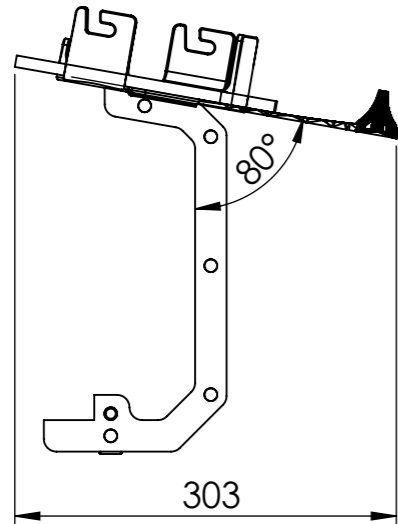
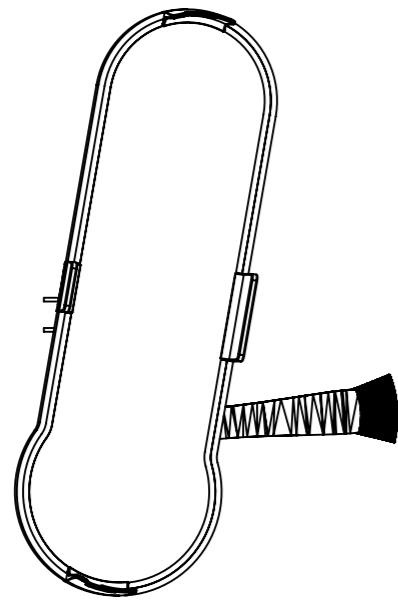


PART NAME
ARCANA'S STAND
SCALE: 1:3
SHEET 1 OF 16

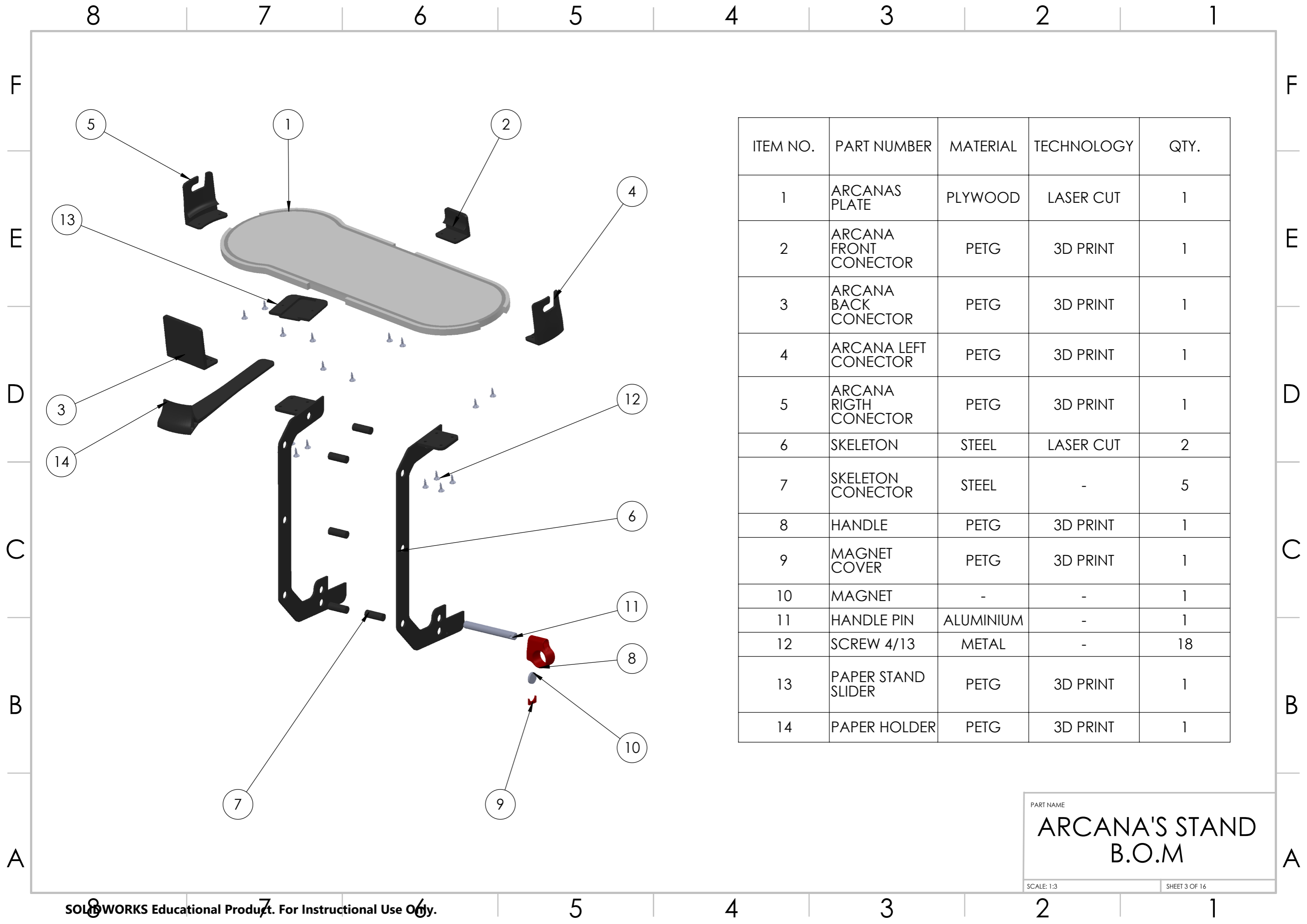
8 7 6 5 4 3 2 1

F
E
D
C
B
A

F
E
D
C
B
A



PART NAME
ARCANA'S STAND
 SCALE: 1:5 SHEET 2 OF 16



ITEM NO.	PART NUMBER	MATERIAL	TECHNOLOGY	QTY.
1	ARCANAS PLATE	PLYWOOD	LASER CUT	1
2	ARCANA FRONT CONECTOR	PETG	3D PRINT	1
3	ARCANA BACK CONECTOR	PETG	3D PRINT	1
4	ARCANA LEFT CONECTOR	PETG	3D PRINT	1
5	ARCANA RIGH CONECTOR	PETG	3D PRINT	1
6	SKELETON	STEEL	LASER CUT	2
7	SKELETON CONECTOR	STEEL	-	5
8	HANDLE	PETG	3D PRINT	1
9	MAGNET COVER	PETG	3D PRINT	1
10	MAGNET	-	-	1
11	HANDLE PIN	ALUMINIUM	-	1
12	SCREW 4/13	METAL	-	18
13	PAPER STAND SLIDER	PETG	3D PRINT	1
14	PAPER HOLDER	PETG	3D PRINT	1

PART NAME
ARCANA'S STAND
B.O.M

SCALE: 1:3 SHEET 3 OF 16

8 7 6 5 4 3 2 1

F

F

E

E

D

D

C

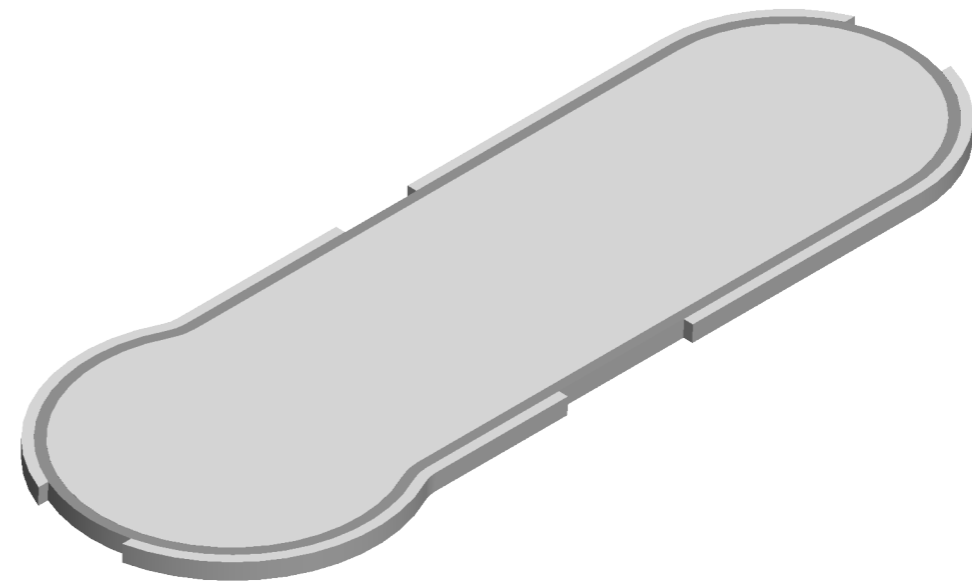
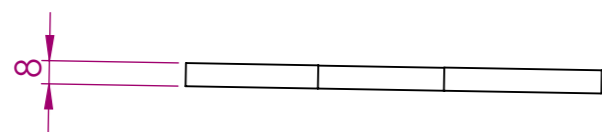
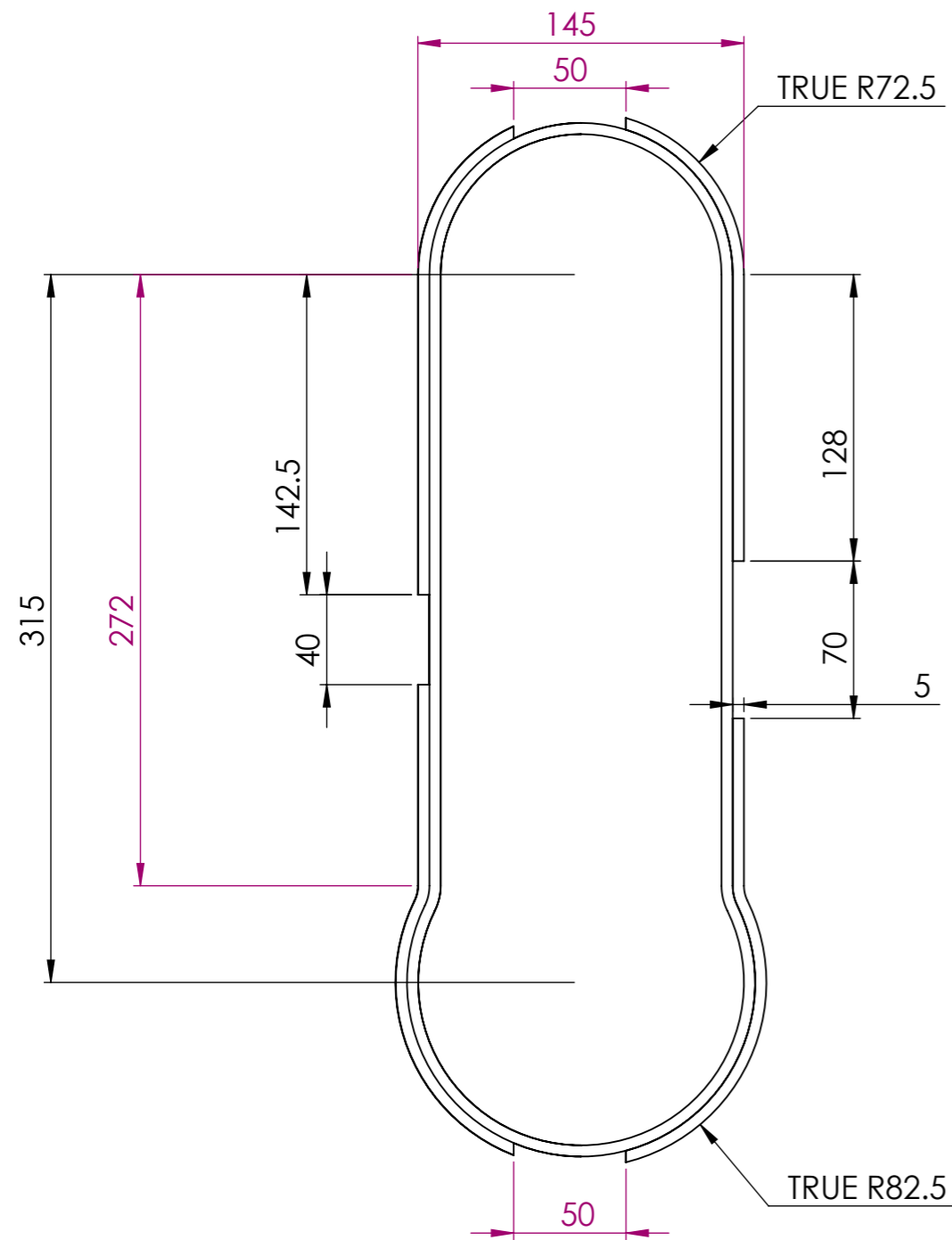
C

B

B

A

A



TECHNOLOGY: LASER CUT	MATERIAL: PLYWOOD	PART NAME	
INFILL: -	LAYER HEIGHT: -	ARCANA'S PLATE	
COLOR: NATURAL	FINISH: MATT	PART NO.	A3
POST PROCESS: -	QTY. 1	1	
SCALE: 1:3		SHEET 4 OF 16	

8 7 6 5 4 3 2 1

F

F

E

E

D

D

C

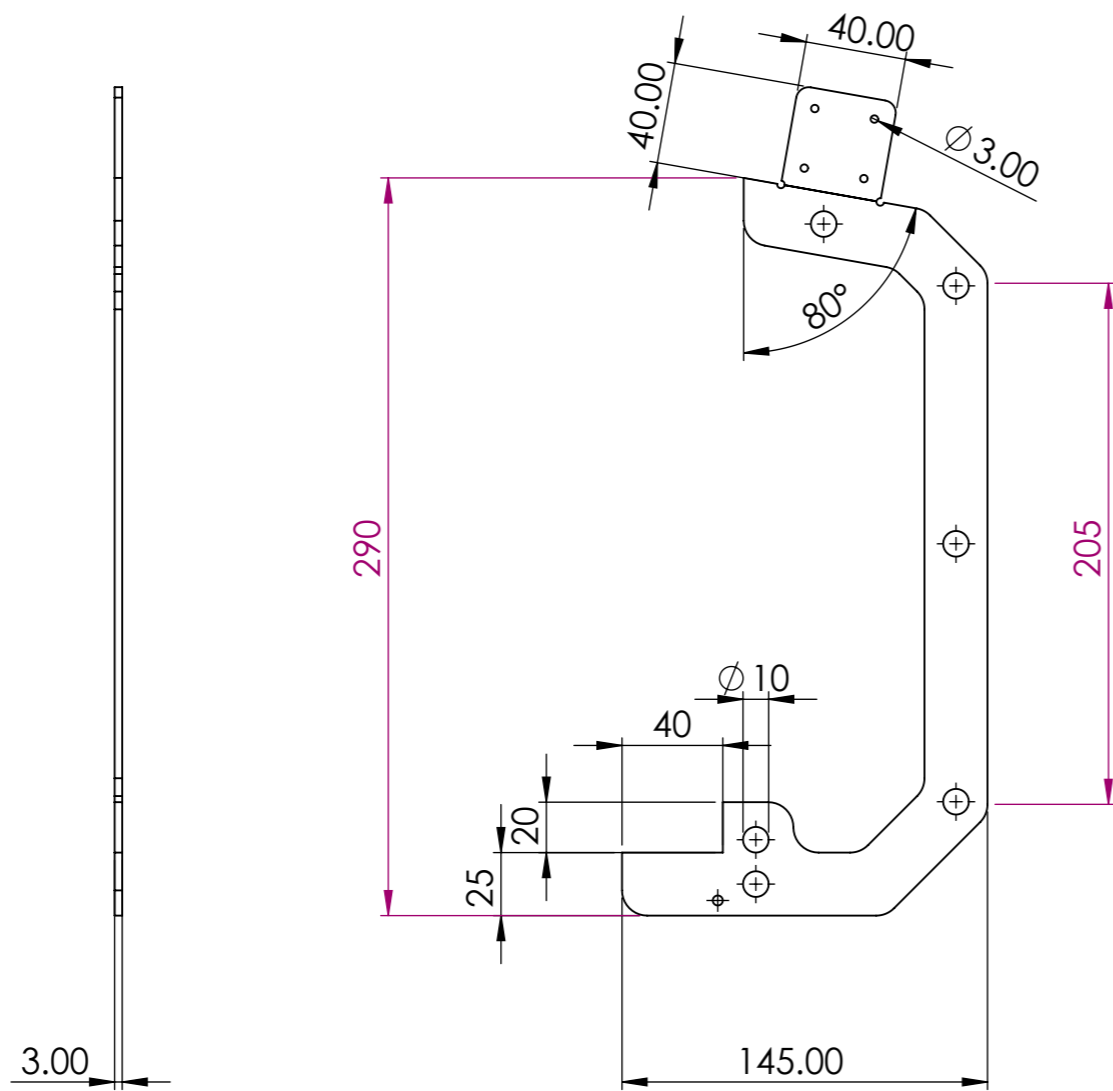
C

B

B

A

A



TECHNOLOGY: LASER CUT	MATERIAL: STEEL	PART NAME	
INFILL: -	LAYER HEIGHT: -	SKELETON	
COLOR: BLACK	FINISH: MATT		
POST PROCESS: BENDING	QTY. 1	PART NO. 2	A3
		SCALE:1:3	SHEET 5 OF 16

8 7 6 5 4 3 2 1

F

F

E

E

D

D

C

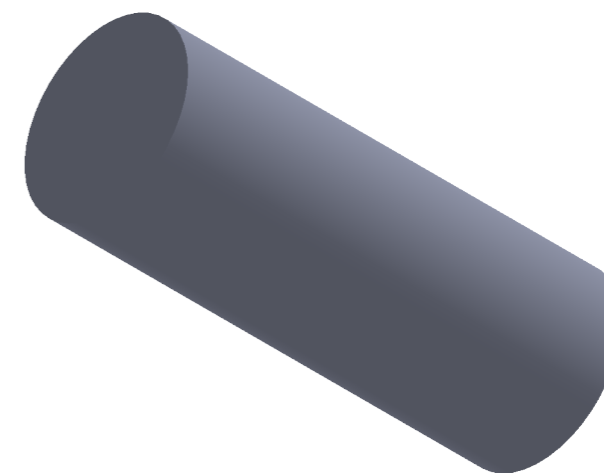
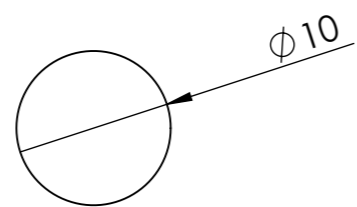
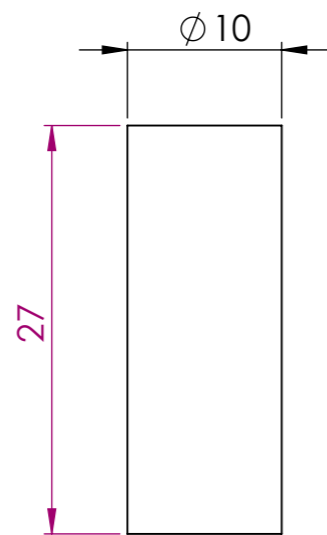
C

B

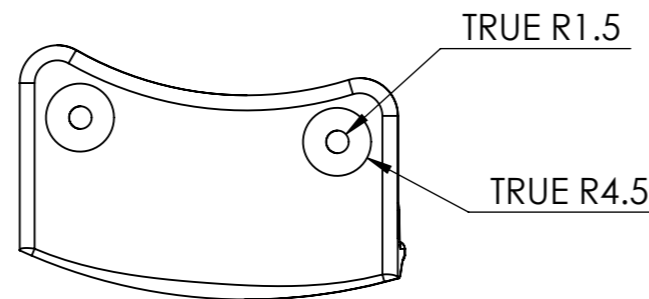
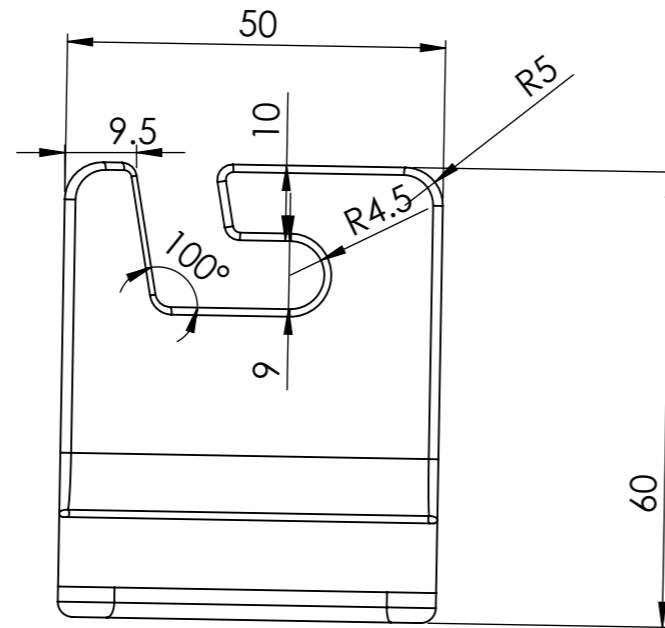
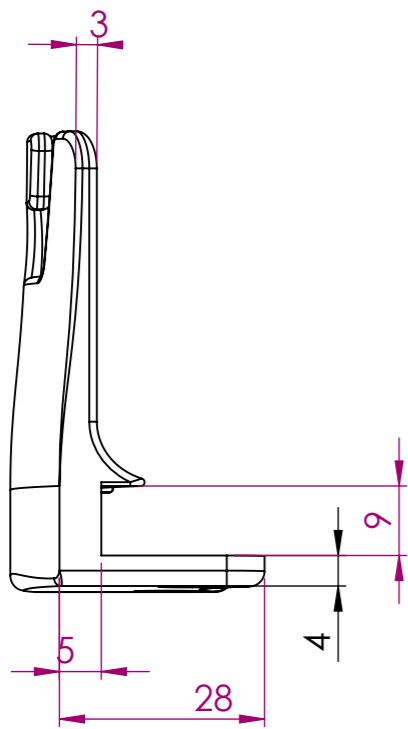
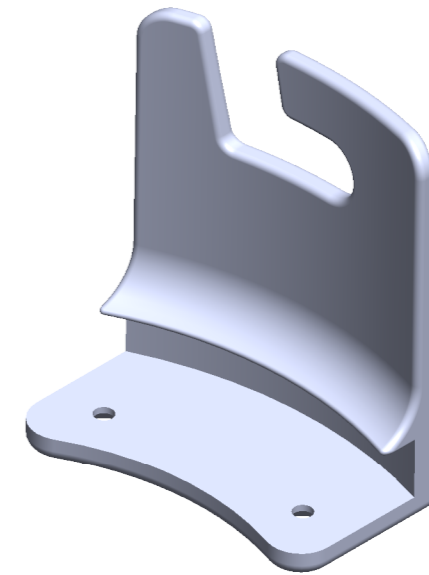
B

A

A



TECHNOLOGY: LASER CUT	MATERIAL: STEEL	PART NAME SKELETON'S CONNECTOR	
INFILL: -	LAYER HEIGHT: -		
COLOR: BLACK	FINISH: MATT		
POST PROCESS: -	QTY. 5	PART NO. 4	A3
		SCALE: 2:1	SHEET 7 OF 16



TECHNOLOGY: 3D PRINT	MATERIAL: PETG	PART NAME ARCANA LEFT STOPPER	
INFILL: 40%	LAYER HEIGHT: 0.16		
COLOR: BLACK	FINISH: GLOSS		
POST PROCESS: -	QTY. 1	PART NO. 5	A3
		SCALE: 1:1	SHEET 8 OF 16

8 7 6 5 4 3 2 1

F

F

E

E

D

D

C

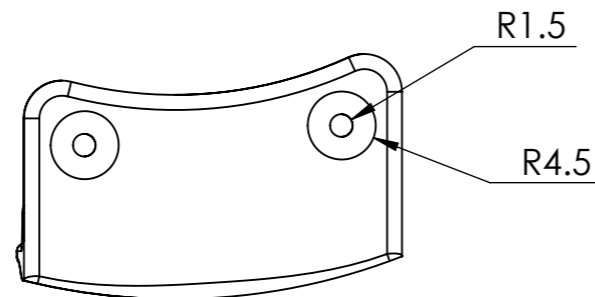
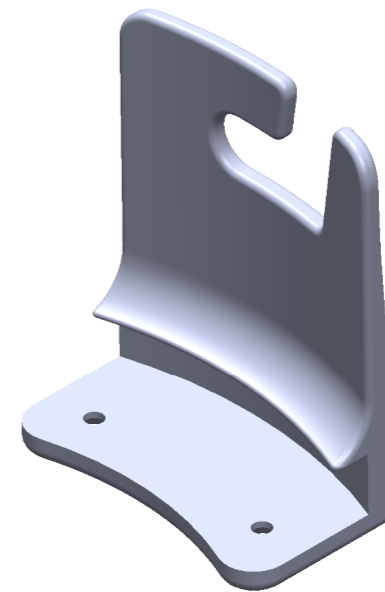
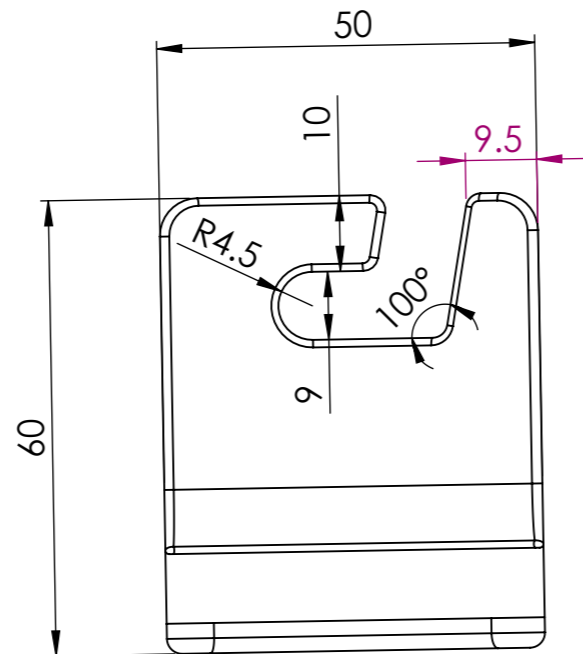
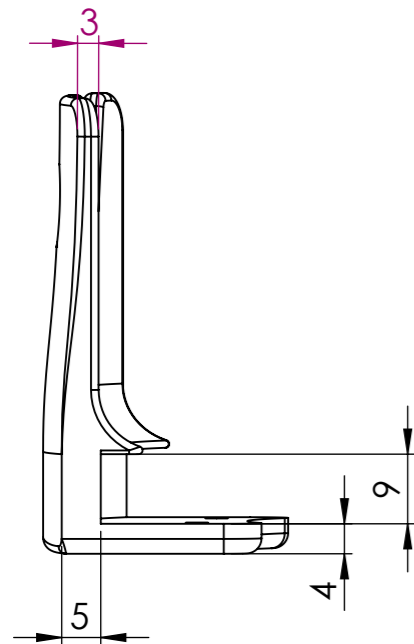
C

B

B

A

A



TECHNOLOGY: 3D PRINT	MATERIAL: PETG	PART NAME ARCANA RIGTH STOPPER	
INFILL: 40%	LAYER HEIGHT: 0.16		
COLOR: BLACK	FINISH: GLOSS		
POST PROCESS: -	QTY. 1	PART NO. 6	A3
		SCALE: 1:1	SHEET 9 OF 16

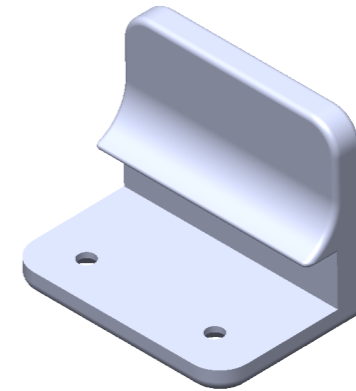
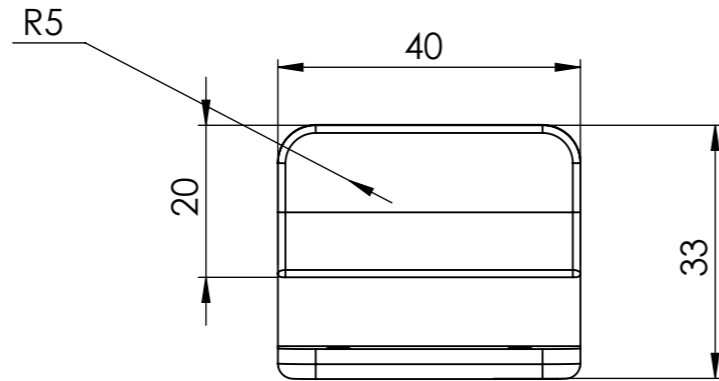
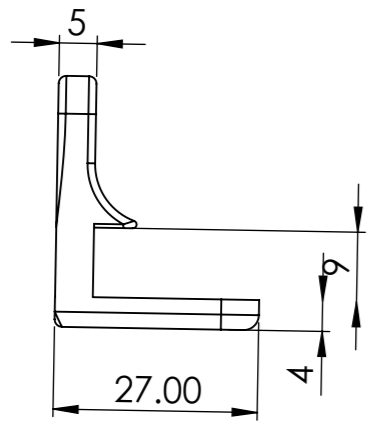
8 7 6 5 4 3 2 1

F

F

E

E

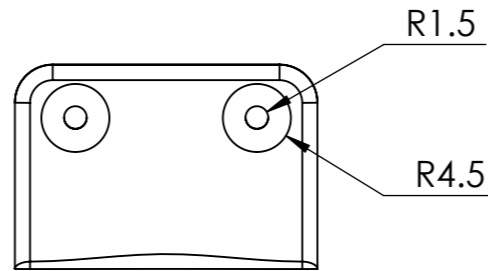


D

D

C

C



B

B

A

A

TECHNOLOGY: 3D PRINT	MATERIAL: PETG	PART NAME ARCANA FRONT STOPPER	
INFILL: 40%	LAYER HEIGHT: 0.16		
COLOR: BLACK	FINISH: GLOSS		
POST PROCESS: -	QTY. 1	PART NO. 7	A3
		SCALE: 1:1	SHEET 10 OF 16

8 7 6 5 4 3 2 1

F

F

E

E

D

D

C

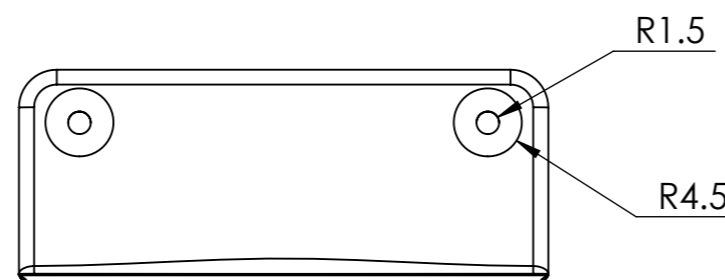
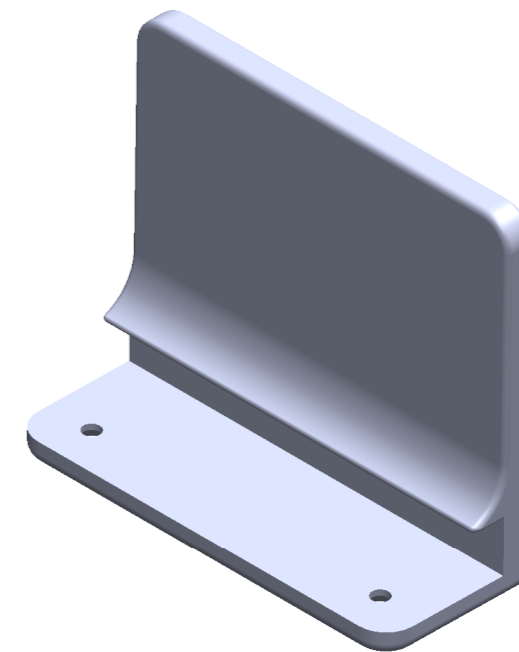
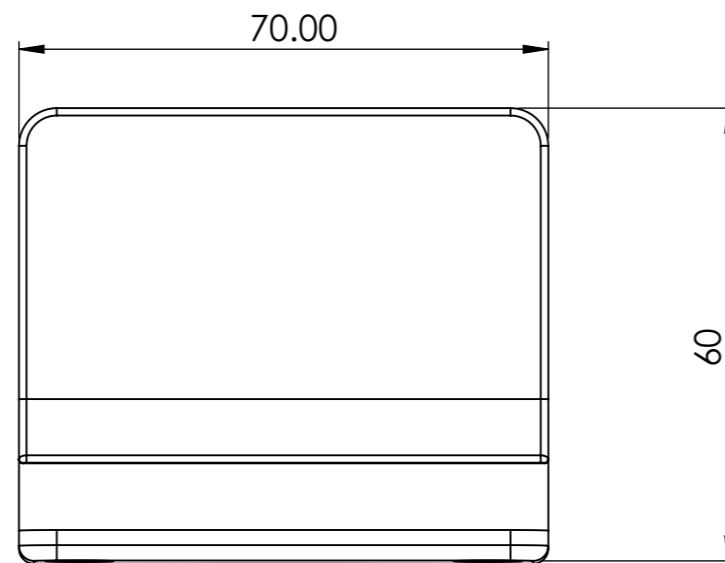
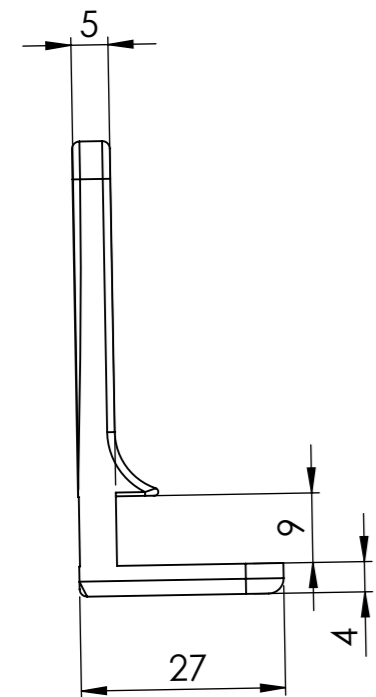
C

B

B

A

A



TECHNOLOGY: 3D PRINT	MATERIAL: PETG	PART NAME ARCANA BACK STOPPER	
INFILL: 40%	LAYER HEIGHT: 0.16		
COLOR: BLACK	FINISH: GLOSS		
POST PROCESS: -	QTY. 1	PART NO. 8	A3
		SCALE: 1:1	SHEET 11 OF 16

8 7 6 5 4 3 2 1

F

F

E

E

D

D

C

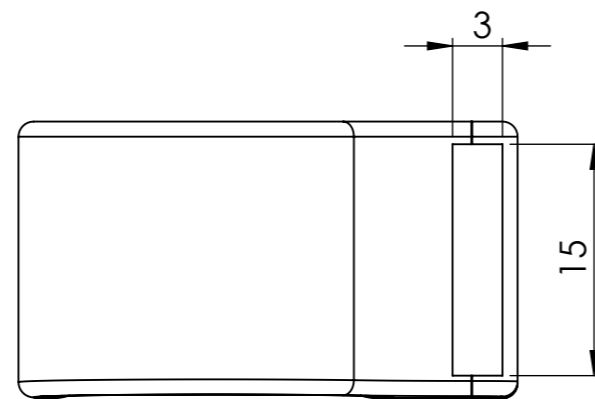
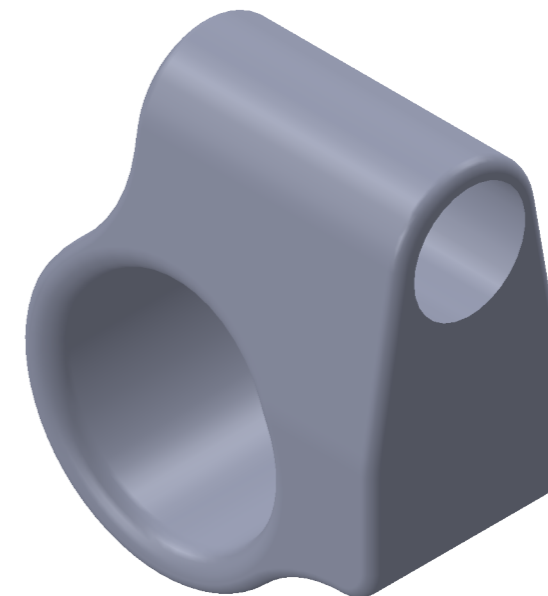
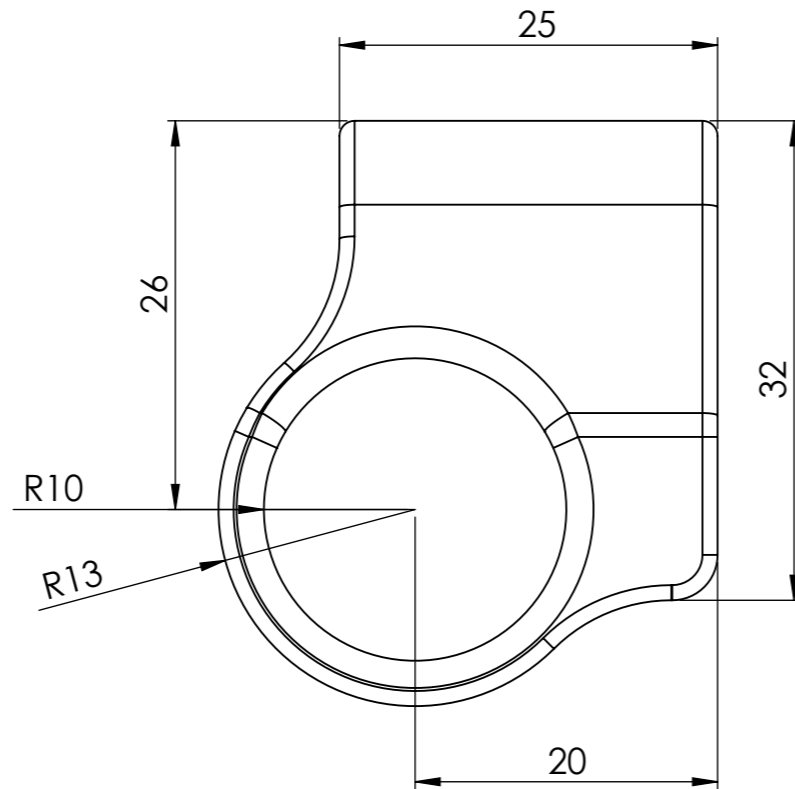
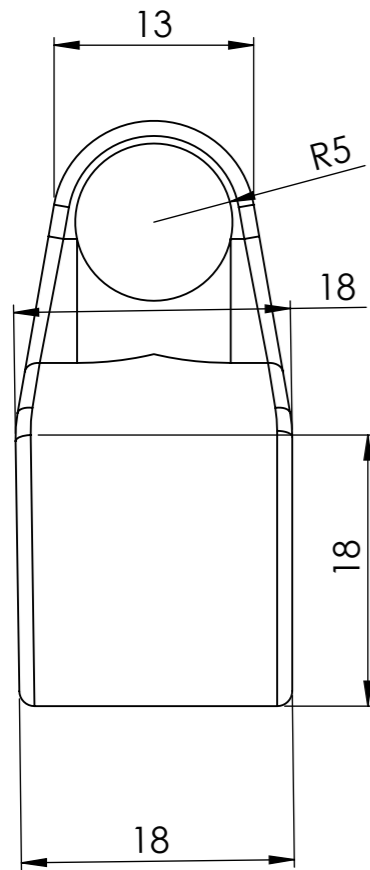
C

B

B

A

A



TECHNOLOGY: 3D PRINT	MATERIAL: PETG	PART NAME HANDLE	
INFILL: 40%	LAYER HEIGHT: 0.16		
COLOR: RED	FINISH: GLOSS		
POST PROCESS: -	QTY. 1	PART NO. 9	A3
		SCALE: 2:1	SHEET 12 OF 16

8 7 6 5 4 3 2 1

F

F

E

E

D

D

C

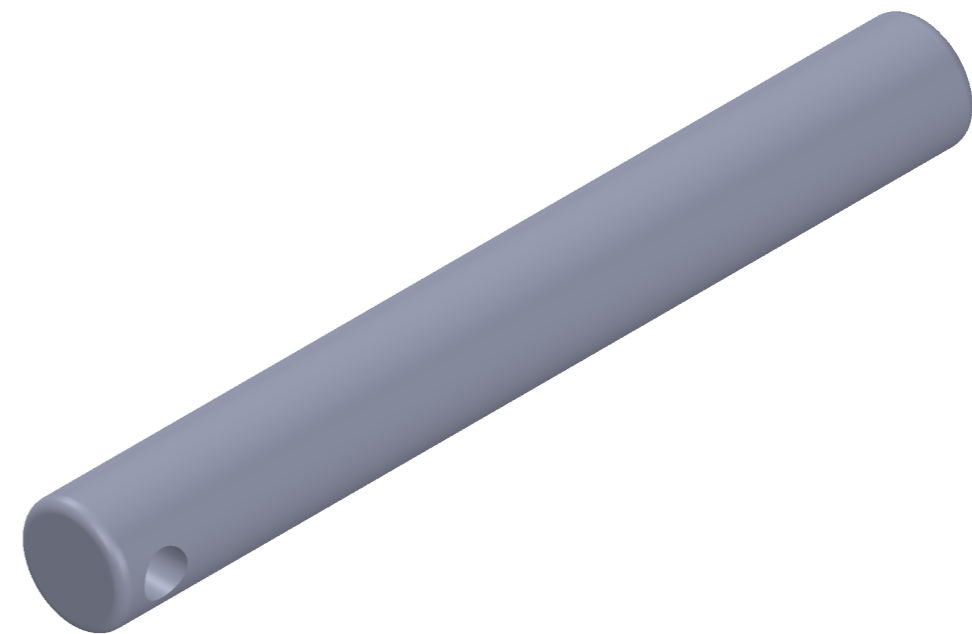
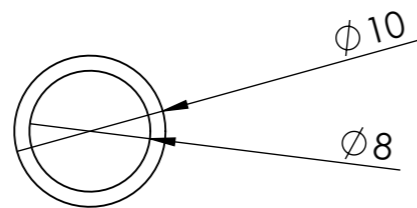
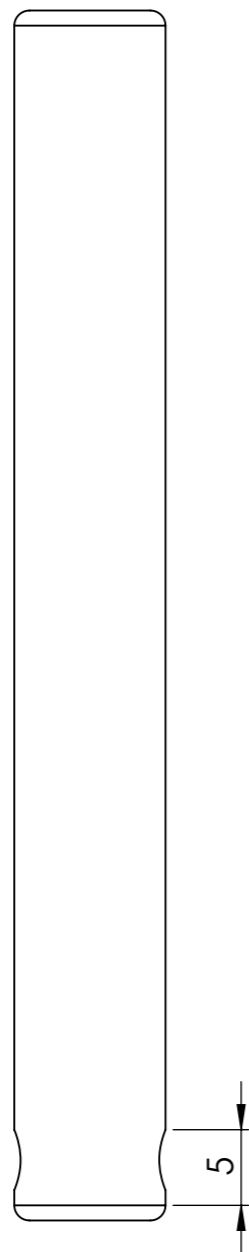
C

B

B

A

A



TECHNOLOGY:	-	MATERIAL:	ALUMINIUM	PART NAME	
INFILL:	-	LAYER HEIGHT:	-	HANDLE PIN	
COLOR:	NATURAL	FINISH:	-		
POST PROCESS:	DRILL	QTY.	1	PART NO.	10
					A3
				SCALE: 2:1	SHEET 13 OF 16

8 7 6 5 4 3 2 1

F

F

E

E

D

D

C

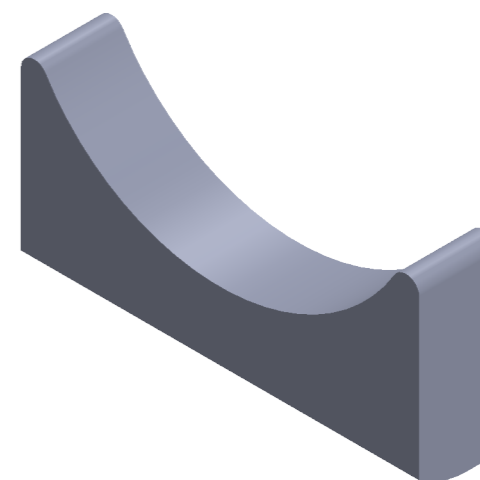
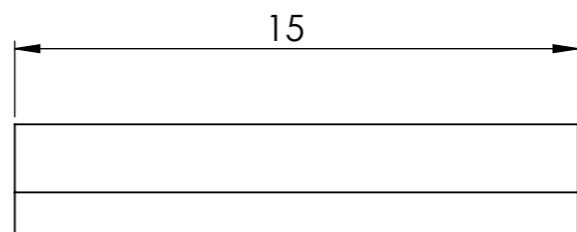
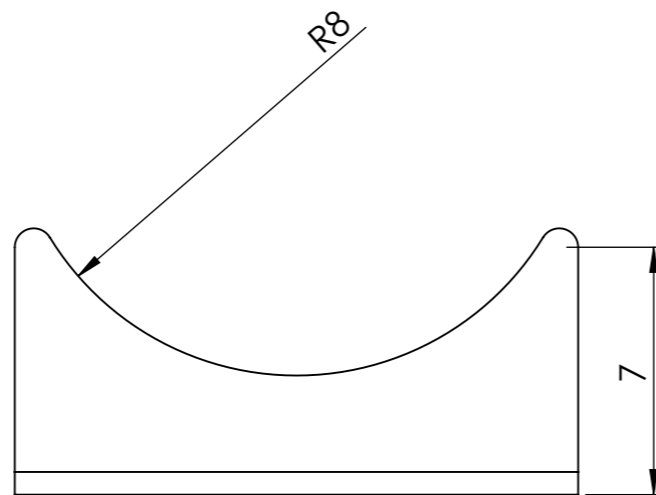
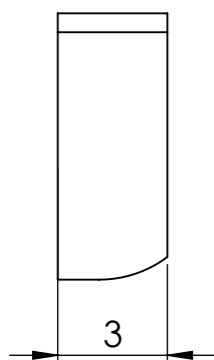
C

B

B

A

A



TECHNOLOGY: 3D PRINT	MATERIAL: PETG	PART NAME MAGNET COVER	
INFILL: 40%	LAYER HEIGHT: 0.16		
COLOR: RED	FINISH: GLOSS		
POST PROCESS: -	QTY. 1	PART NO. 10	A3
		SCALE: 5:1	SHEET 14 OF 16

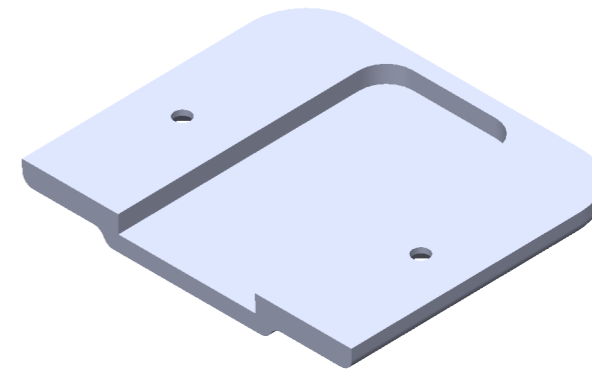
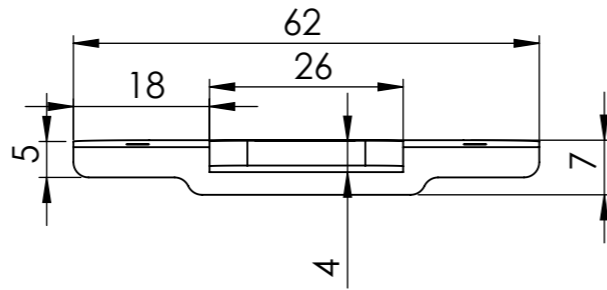
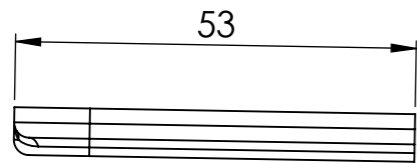
8 7 6 5 4 3 2 1

F

F

E

E

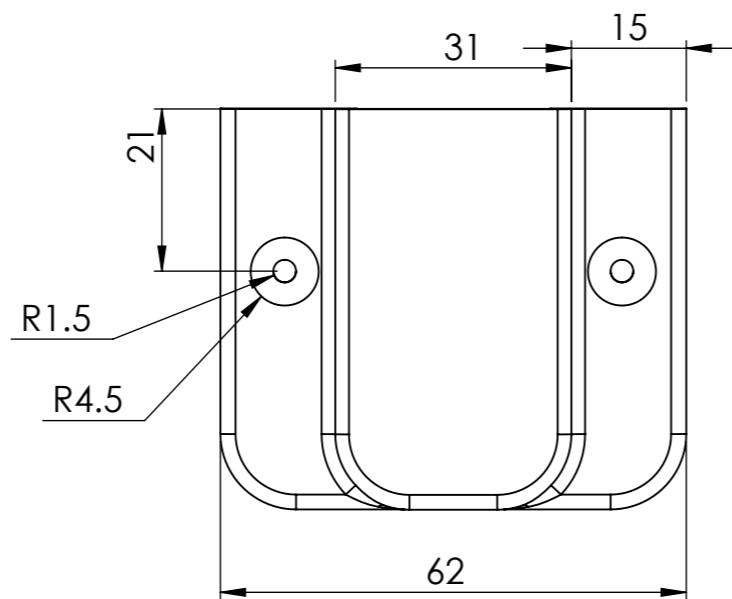


D

D

C

C



B

B

A

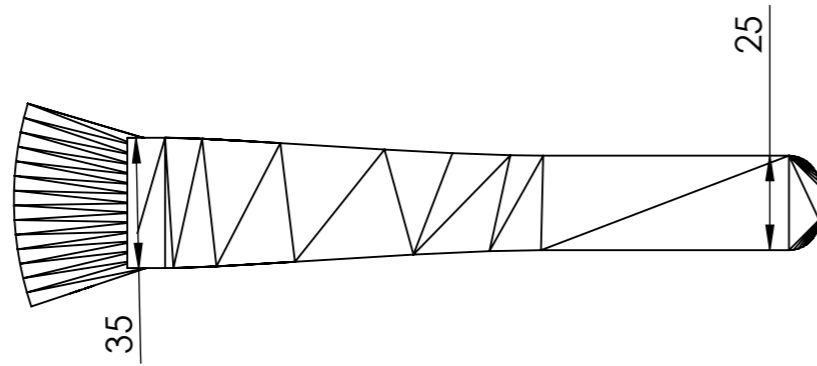
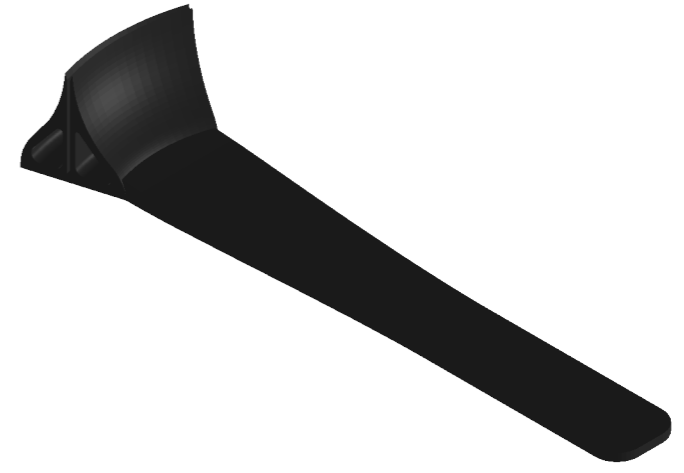
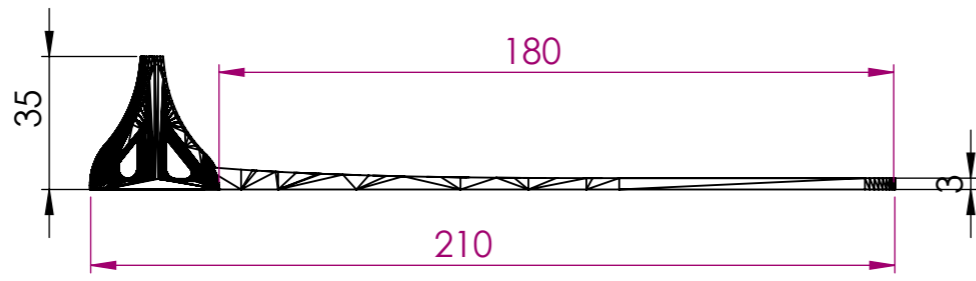
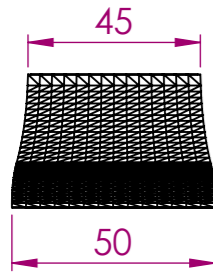
A

TECHNOLOGY: 3D PRINT	MATERIAL: PETG	PART NAME PAPER STAND SLIDER	
INFILL: 40%	LAYER HEIGHT: 0.16		
COLOR: BLACK	FINISH: GLOSS		
POST PROCESS: -	QTY. 1	PART NO. 11	A3
		SCALE: 1:1	SHEET 15 OF 16

8 7 6 5 4 3 2 1

F
E
D
C
B
A

F
E
D
C
B
A



TECHNOLOGY: 3D PRINT	MATERIAL: PETG	PART NAME PAPER STAND	
INFILL: 40%	LAYER HEIGHT: 0.16		
COLOR: BLACK	FINISH: GLOSS		
POST PROCESS: -	QTY. 1	PART NO. 12	A3
		SCALE: 1:1	SHEET 16 OF 16