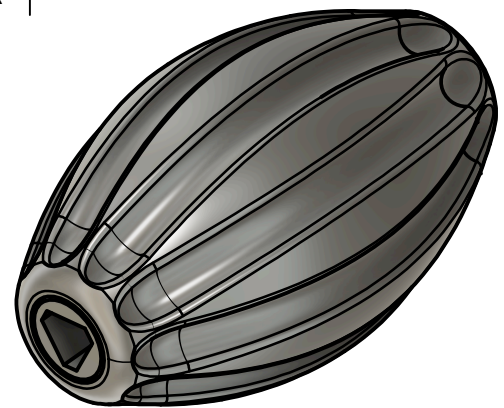
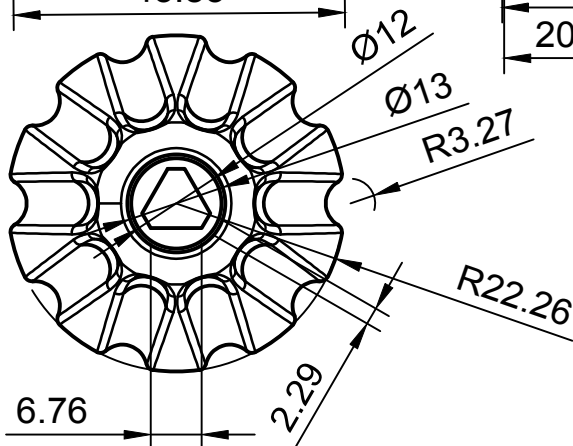
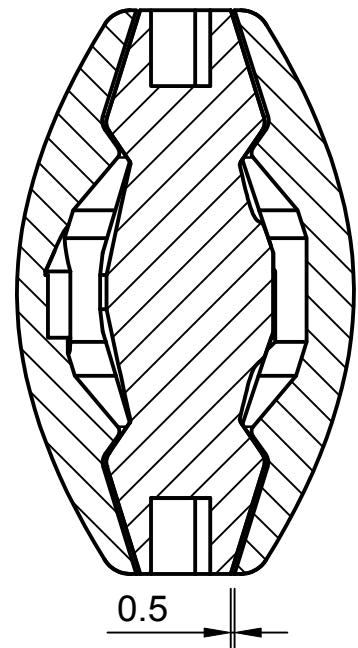
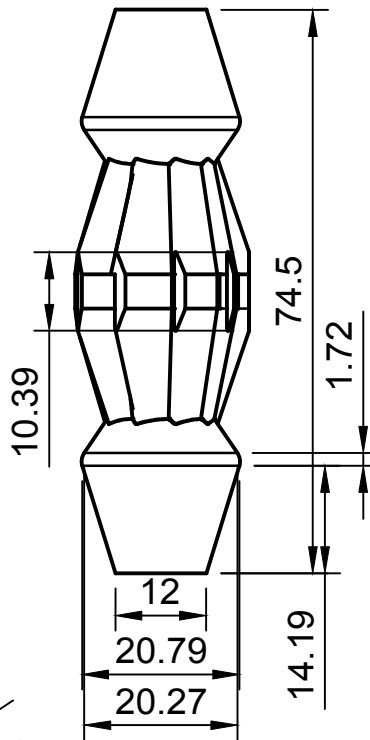
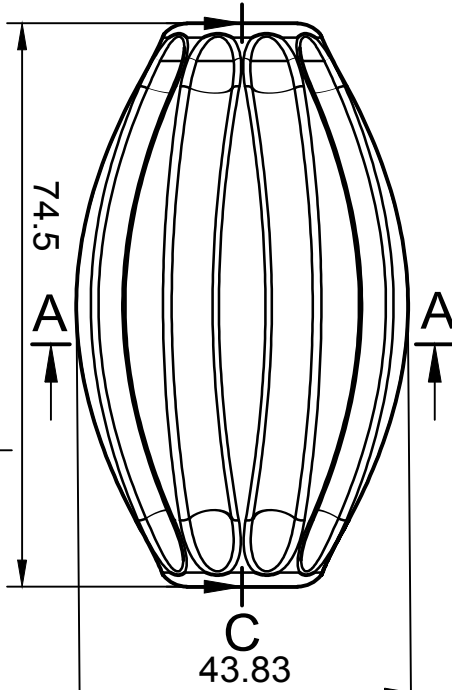
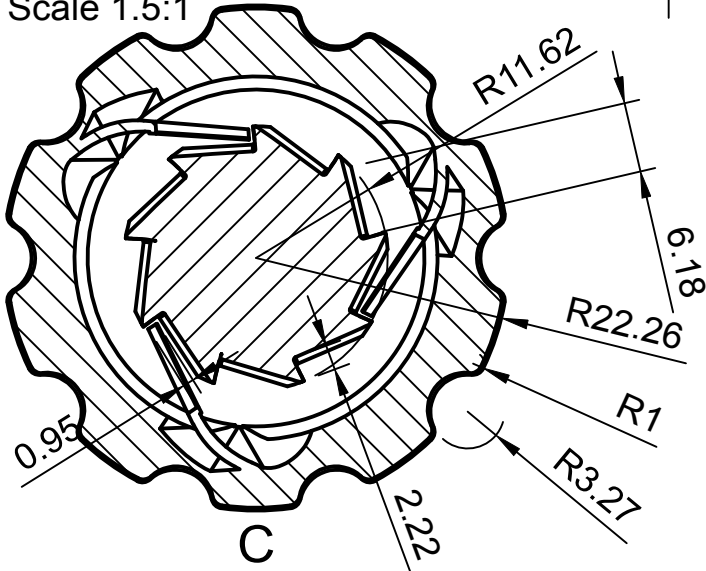


Scale 1.5:1



Dept.	Technical reference	Created by <b>Johan Link</b>	Approved by
		19.04.17	
		Document type	Document status
		Title <b>Ratchet Screwdriver (scale 1:1)</b>	DWG No.
		Rev.	Date of issue
			Sheet <b>1/1</b>