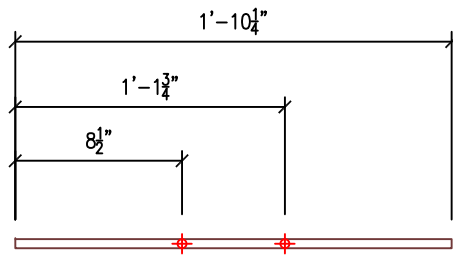


PIECE "A" MUST BE PERFECTLY STRAIGHT.

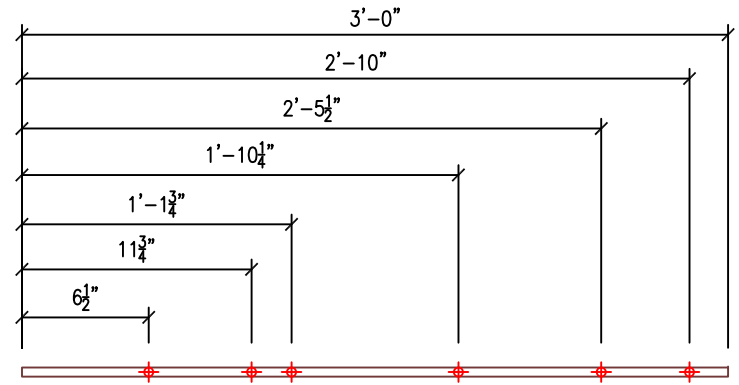
ALL LETTER PIECES HAVE SMALL STARTER HOLES THAT DO NOT PASS THROUGH.

ALL NUMBER PIECES HAVE
COUNTER SUNK HOLES THAT
PASS THROUGH.

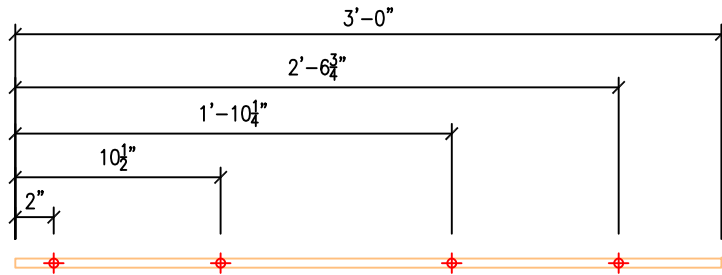
"1"
DARK



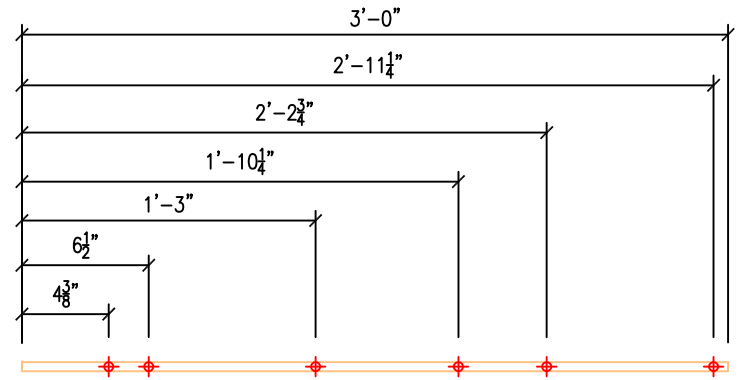
"4"
DARK



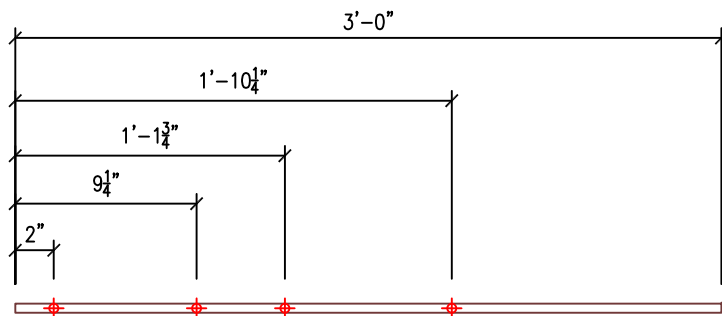
"2"
LIGHT



"5"
LIGHT



"3"
DARK



"6"
DARK

