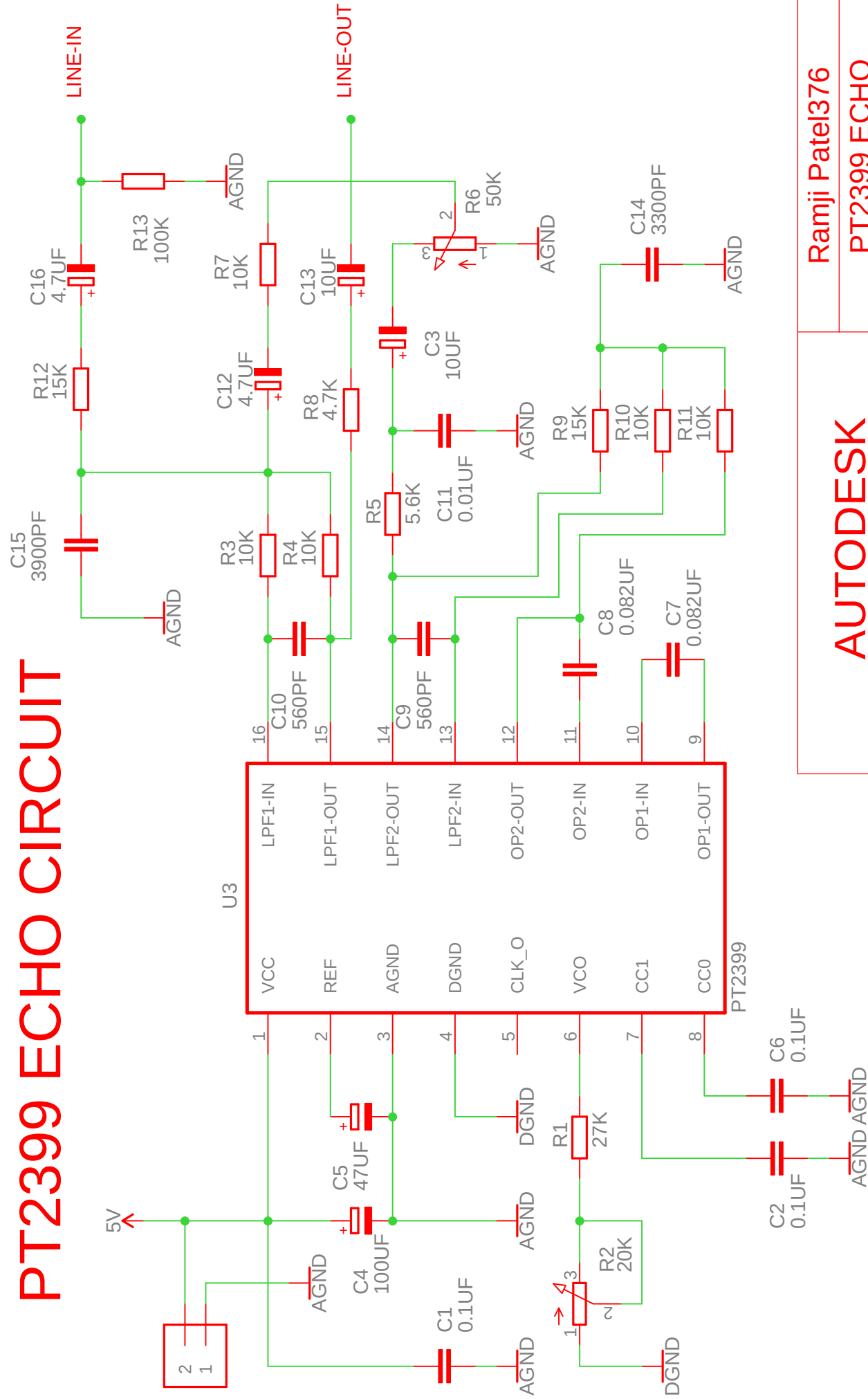


PT2399 ECHO CIRCUIT



**AUTODESK
EAGLE**

Ramji Patel376
PT2399 ECHO
10/23/2021 10:22 AM
Sheet: 1/1