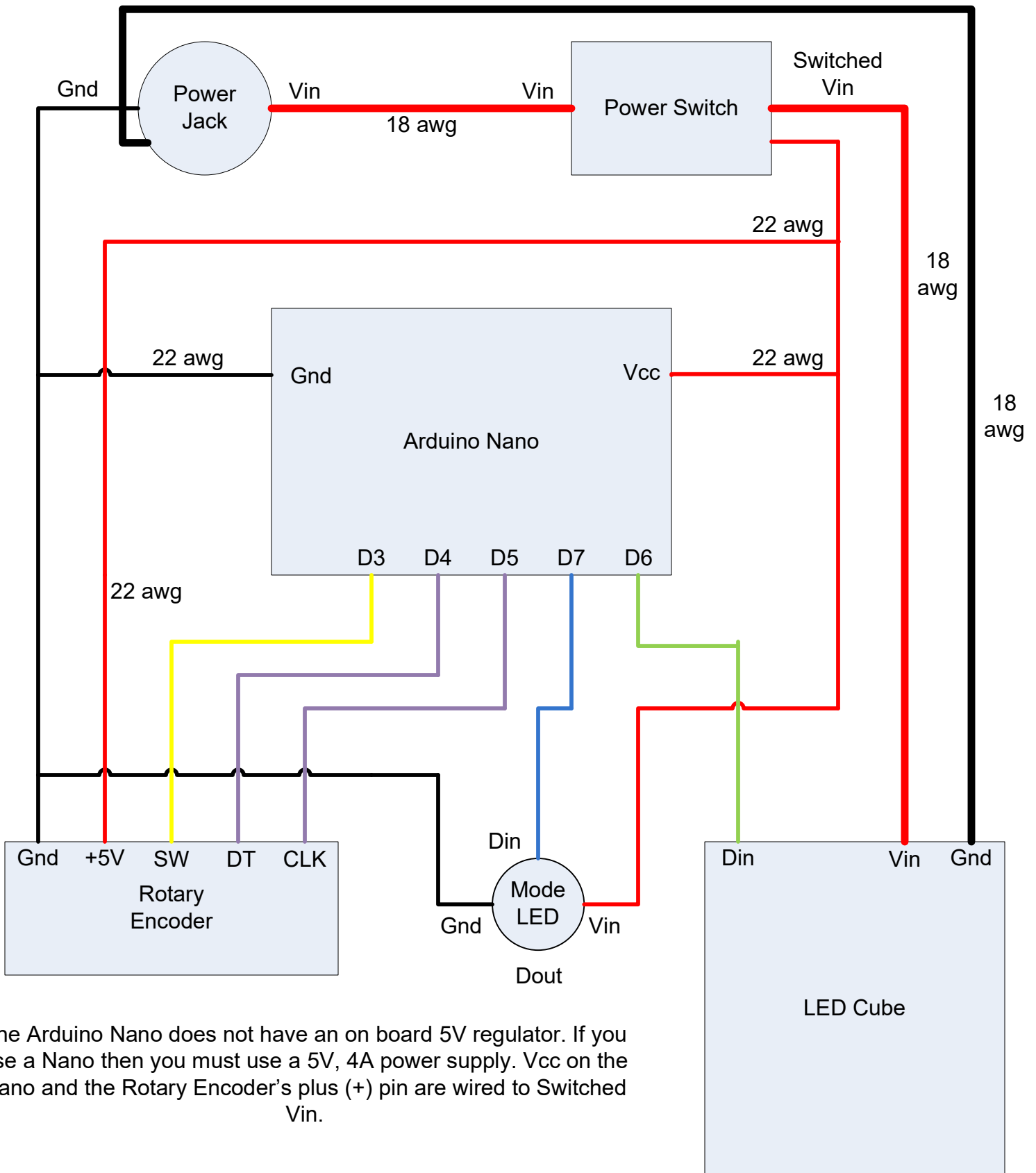


LED Cube Wiring Diagram



The Arduino Nano does not have an on board 5V regulator. If you use a Nano then you must use a 5V, 4A power supply. Vcc on the Nano and the Rotary Encoder's plus (+) pin are wired to Switched Vin.