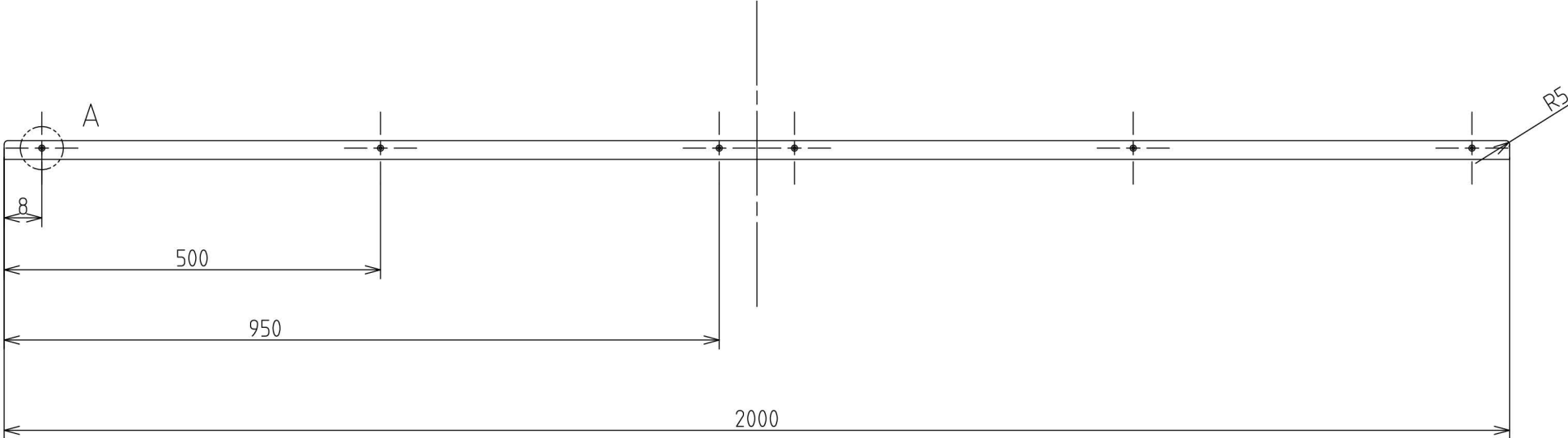


# Dimensions of the U profile



DETAIL A  
SCALE 1:1

