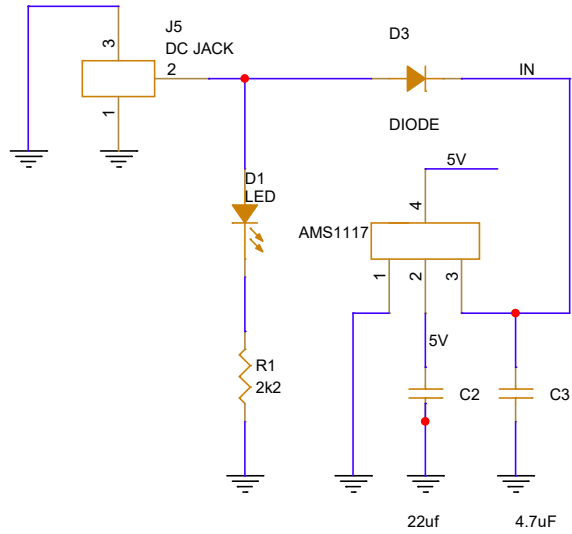
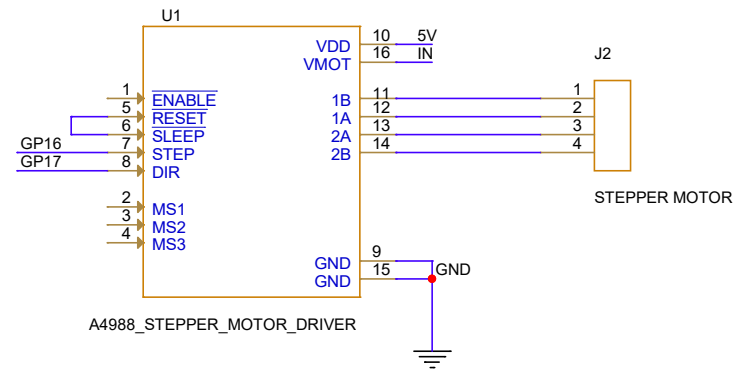


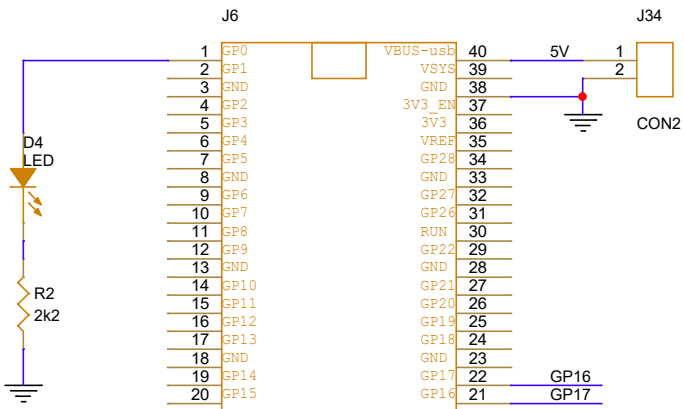
AMS1117 Voltage Regulator



A4988 STEPPER MOTOR DRIVER SETUP



RASPBERRY PI PICO



Title		
PICO STEPPER MOTOR DRIVER		
Size	Document Number	Rev
A4	<Doc>	01
Date:	Friday, November 15, 2024	Sheet 1 of 1