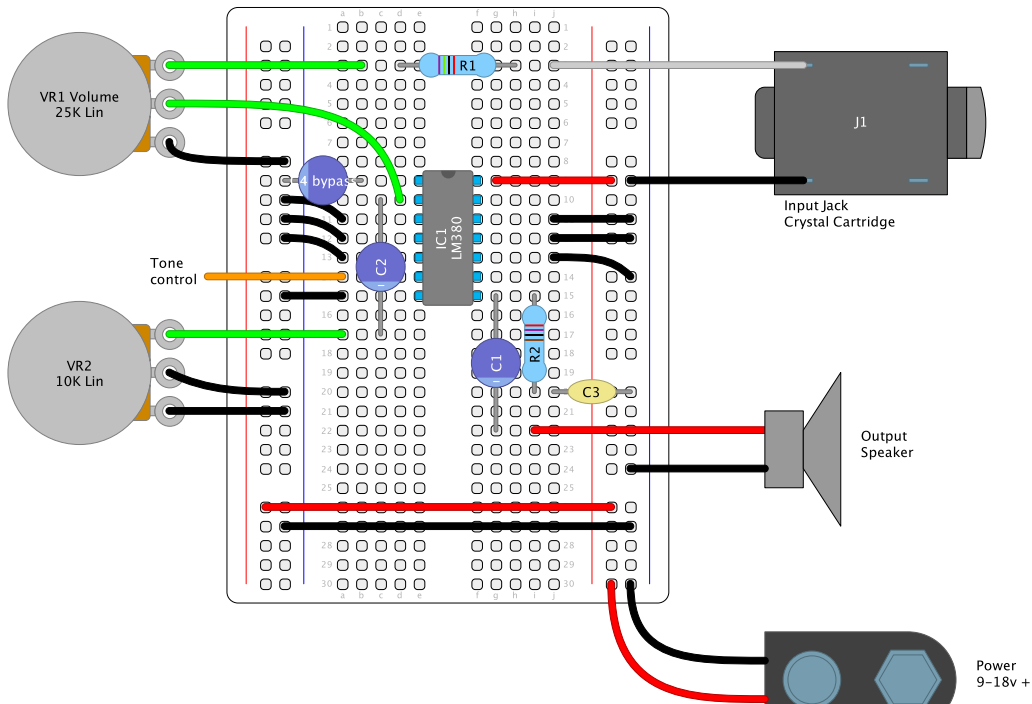


LM380  
2.5 watt audio amplifier  
(Phono example from datasheet)



Breadboard qty 1  
BTR1 qty 1  
C1 470uF  
C2 47uF  
C3 100nF

C4 bypass 0uF  
IC1 LM380  
J1 Input  
POLY1 qty 1  
R1 75K

R2 2.7K  
RECT1 qty 1  
VR1 Volume  
VR2

