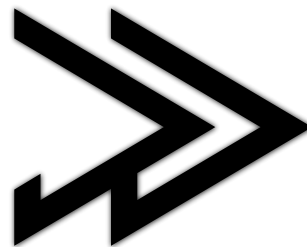


PAPERCRAFT
INSTRUCTIONS

IROC-Z

42.1cm / 63.1cm



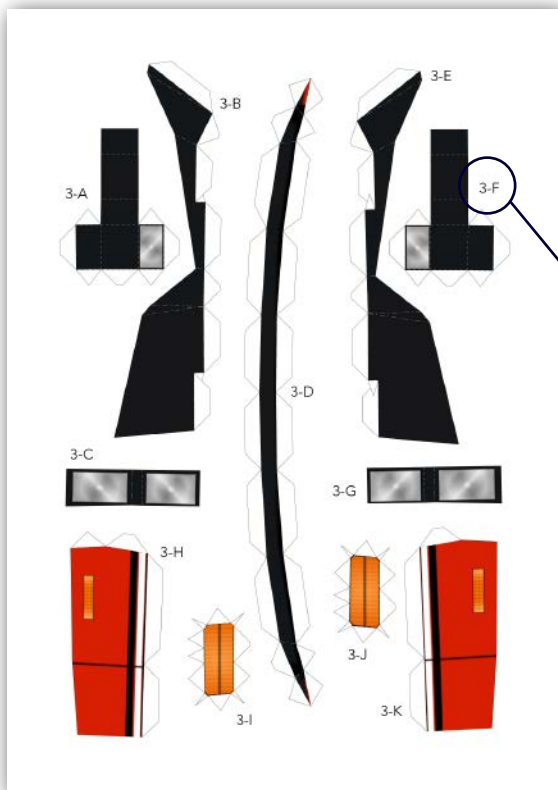
2 SIZES

42.1cm Model

12 pages
102 parts

63.1cm Model

26 pages
114 parts



TEMPLATES

- Mountain fold line ^
- . - . - . Valley fold line v
- Cut line

3-F Templates reference the page number and letter of each part. In this case, **3-F** is Templates page **3**, part **F**.

INSTRUCTIONS VIDEO

You can find an assembly help video in the following link:
<https://youtu.be/3Ds1podsSnY>

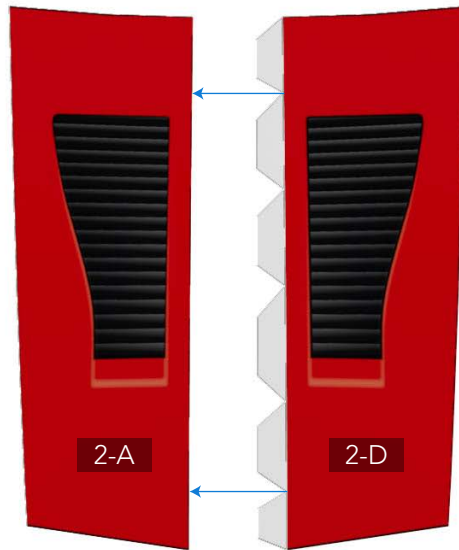
If you enjoyed the **CAMARO IROC-Z** papercraft please support my efforts by making a donation of any amount at

<https://sergiodanidiaz.wixsite.com/ddiaz-paper-design/>

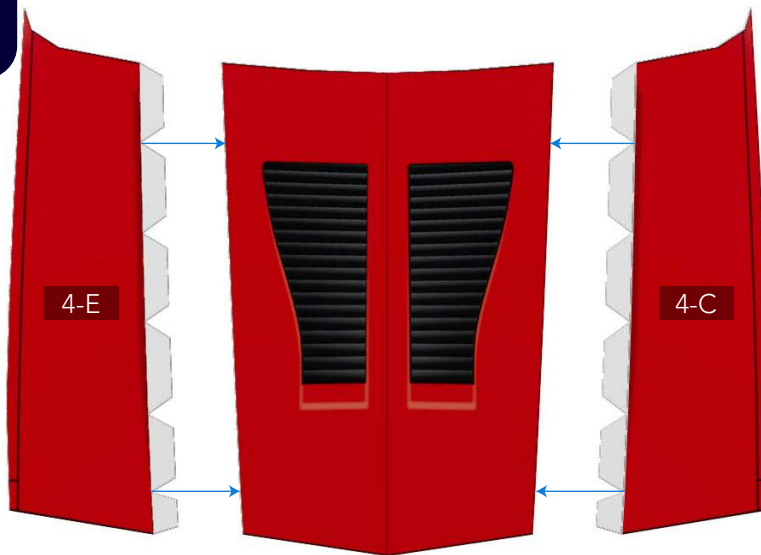
Thank you!

CAMARO IROC-Z INSTRUCTIONS

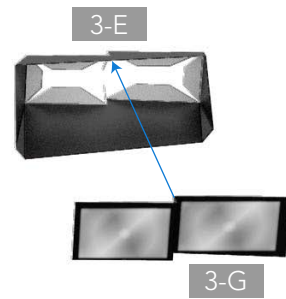
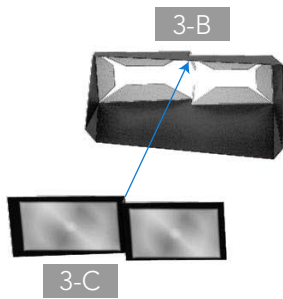
1



2

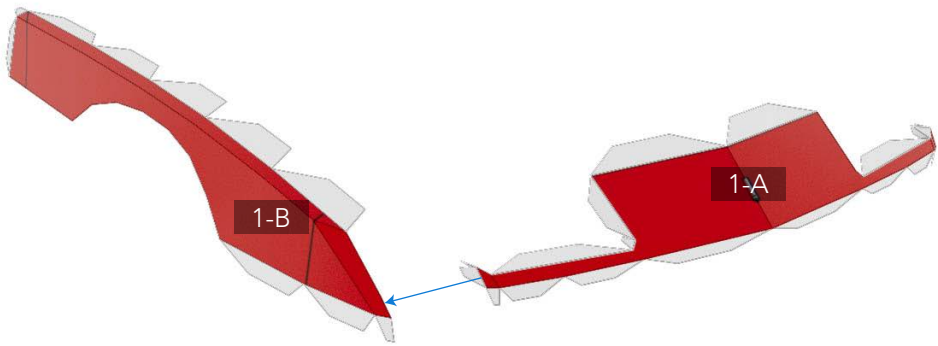


3

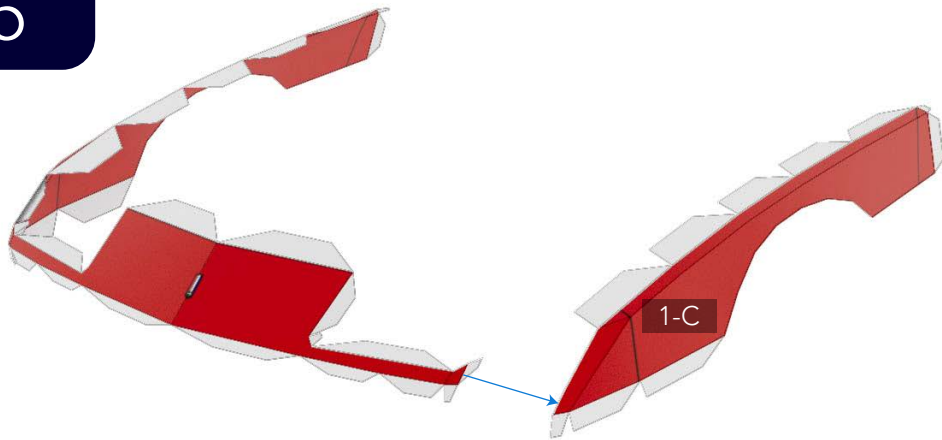


CAMARO IROC-Z INSTRUCTIONS

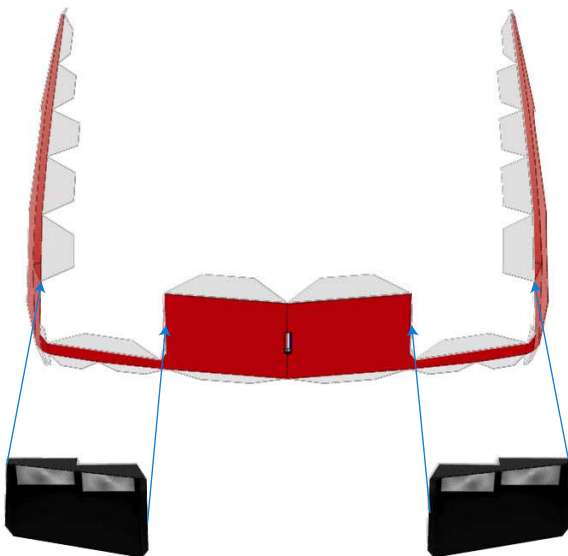
4



5

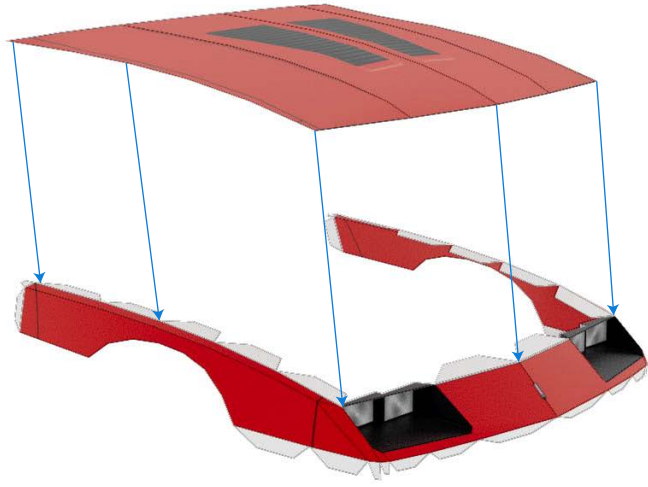


6

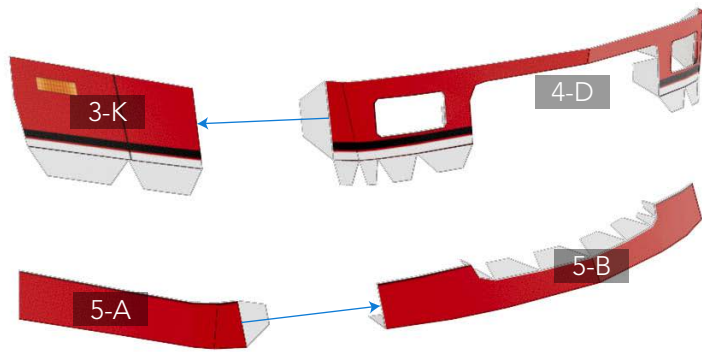


CAMARO IROC-Z INSTRUCTIONS

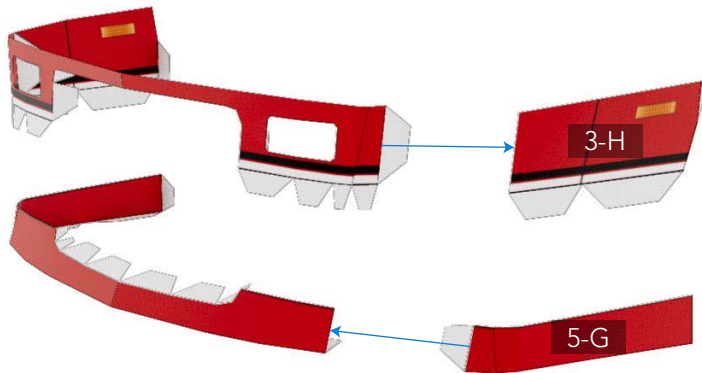
7



8

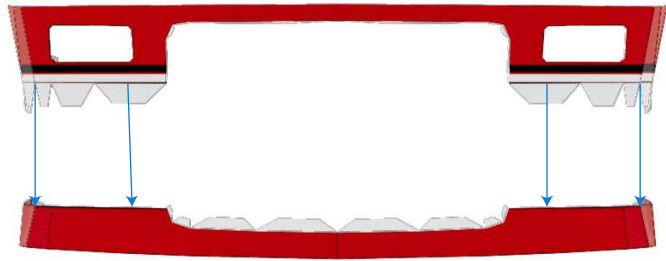


9

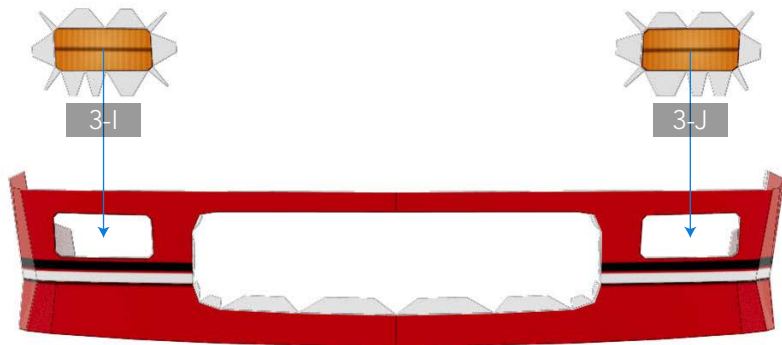


CAMARO IROC-Z INSTRUCTIONS

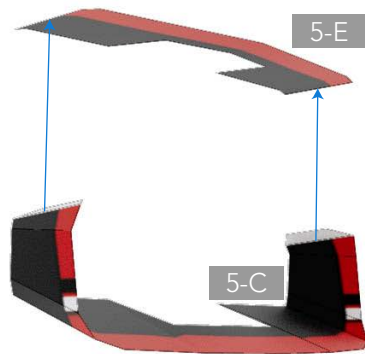
10



11

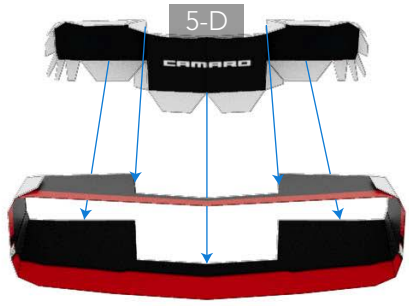


12



CAMARO IROC-Z INSTRUCTIONS

13



14

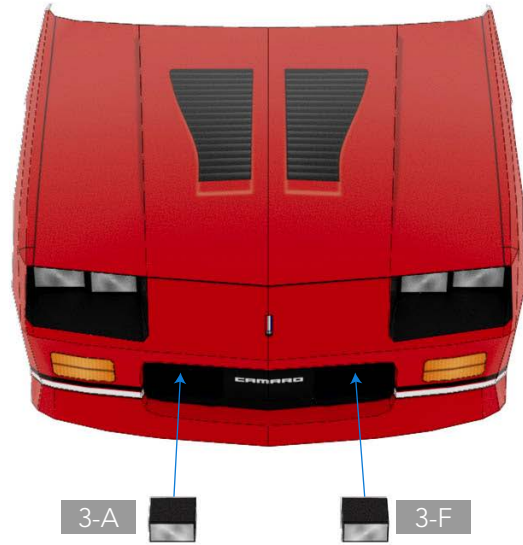


15



CAMARO IROC-Z INSTRUCTIONS

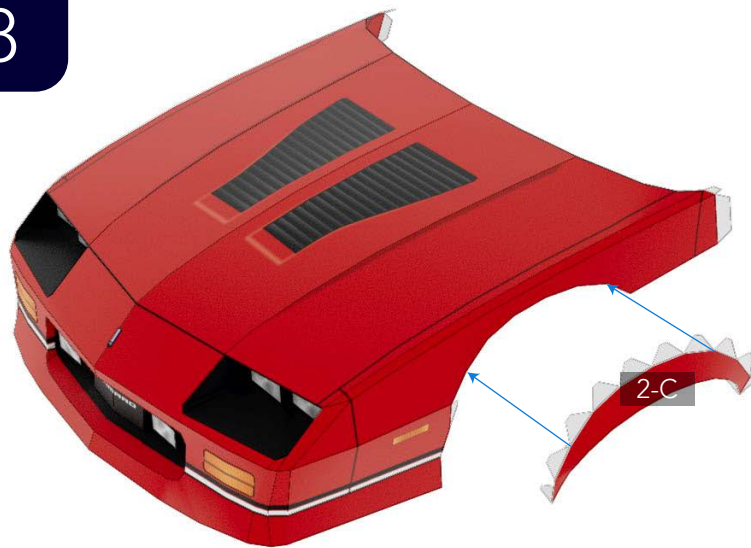
16



17

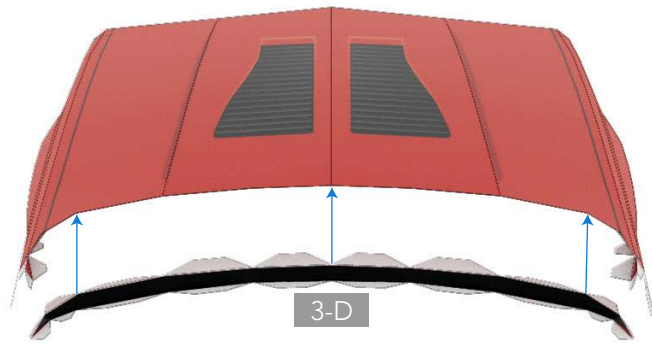


18

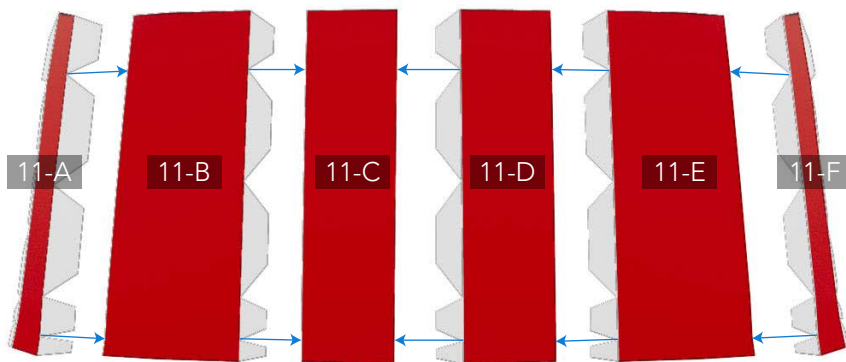


CAMARO IROC-Z INSTRUCTIONS

19



20

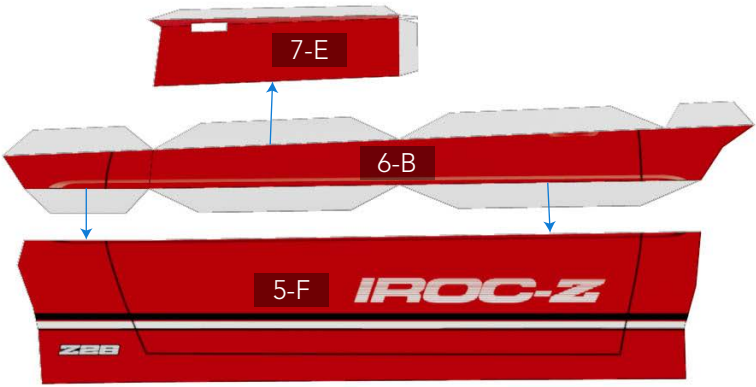


21

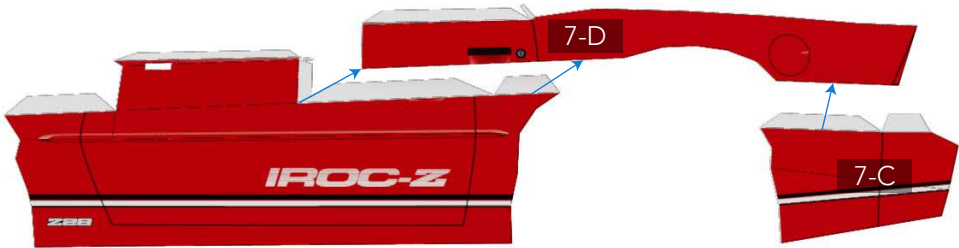


CAMARO IROC-Z INSTRUCTIONS

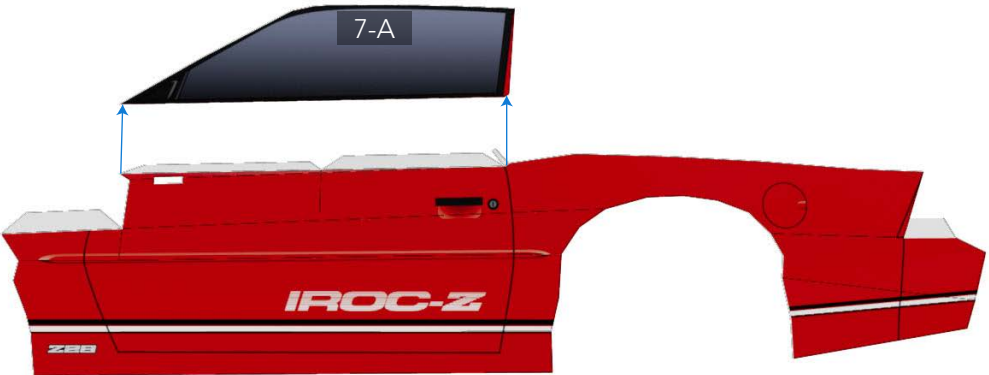
22



23

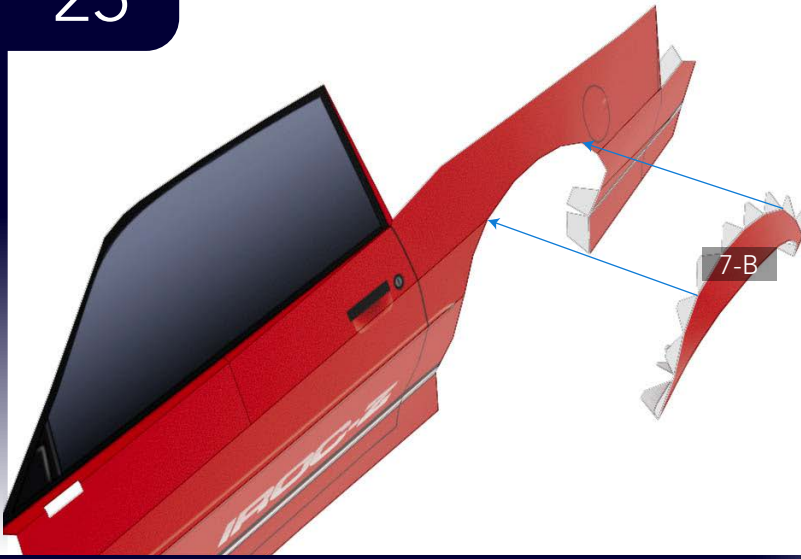


24

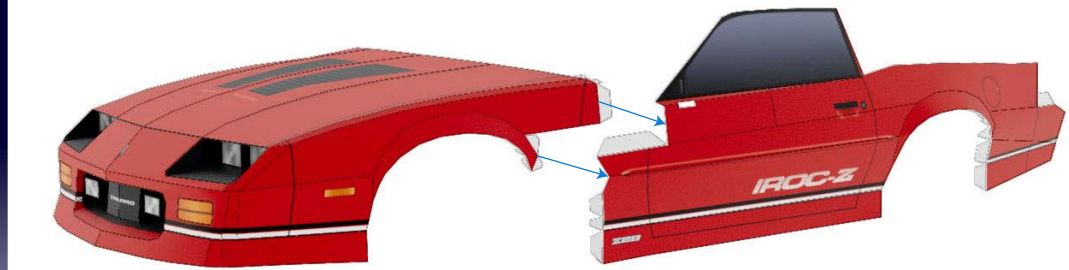


CAMARO IROC-Z INSTRUCTIONS

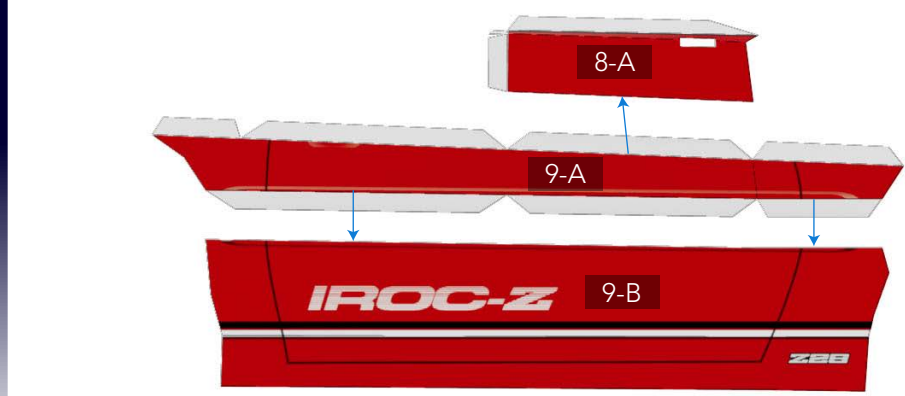
25



26



27

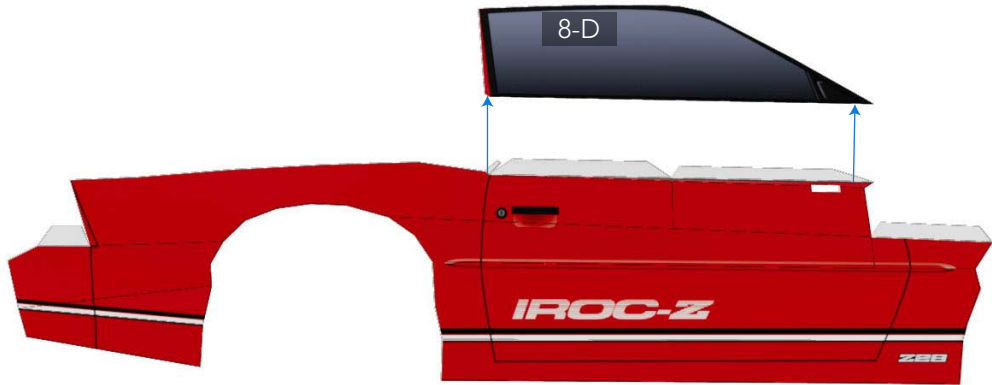


CAMARO IROC-Z INSTRUCTIONS

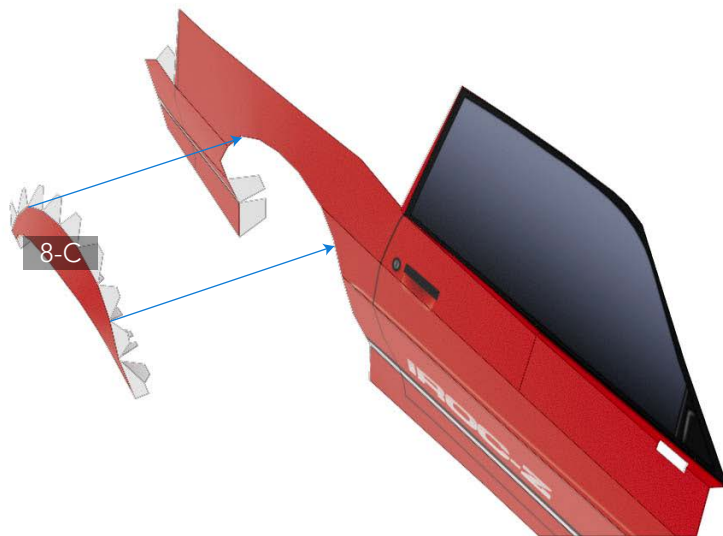
28



29

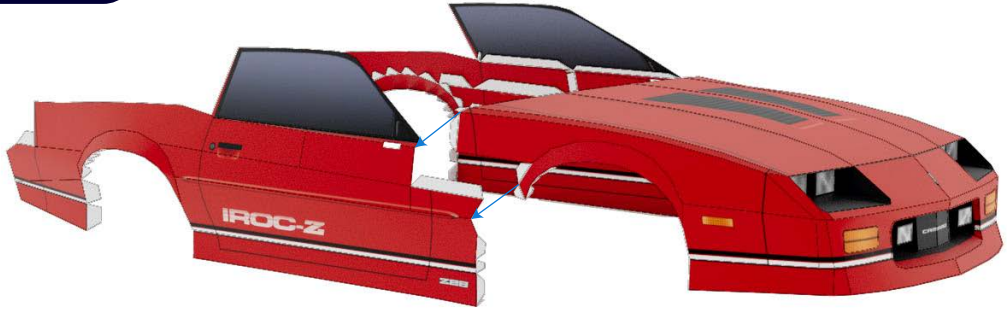


30

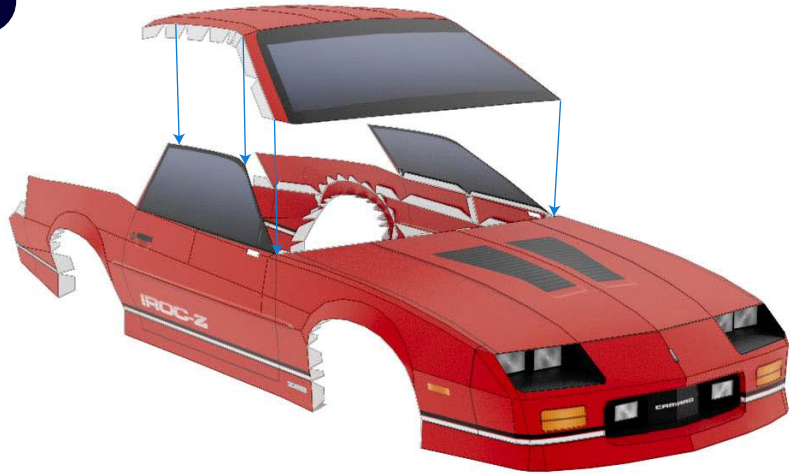


CAMARO IROC-Z INSTRUCTIONS

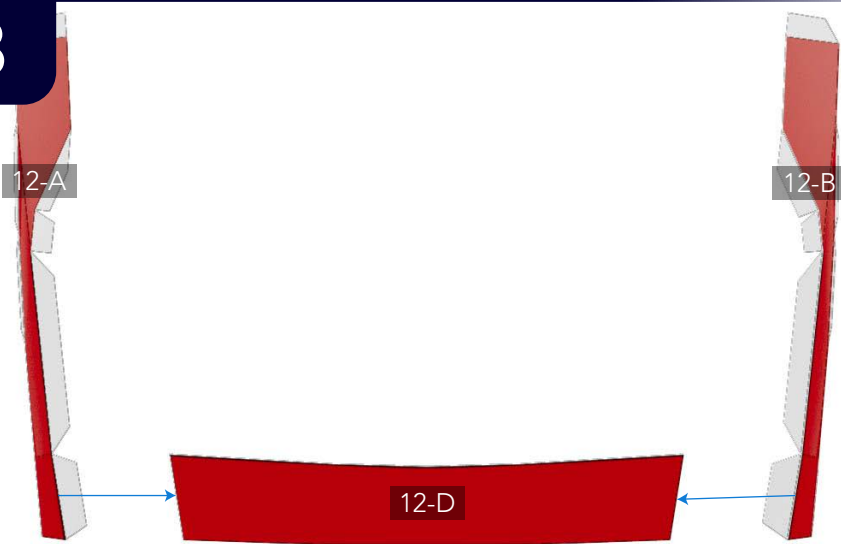
31



32

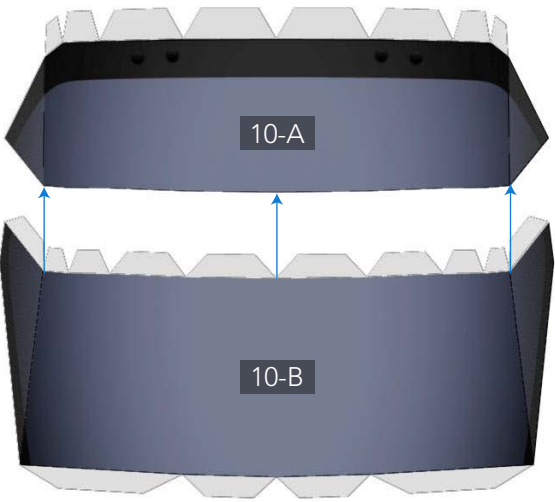


33

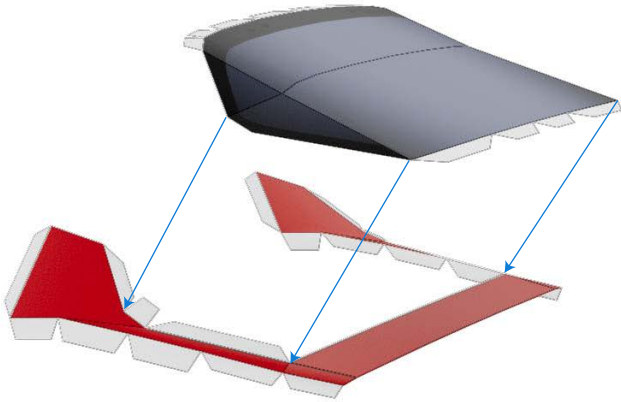


CAMARO IROC-Z INSTRUCTIONS

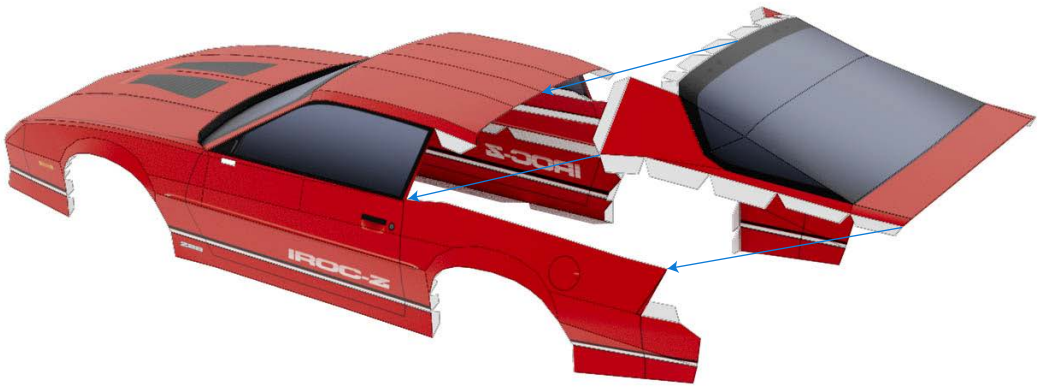
34



35

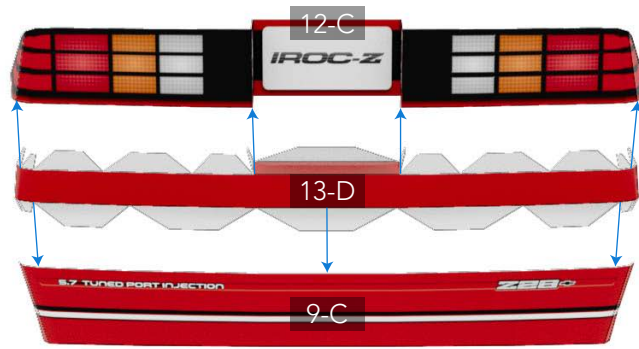


36



CAMARO IROC-Z INSTRUCTIONS

37



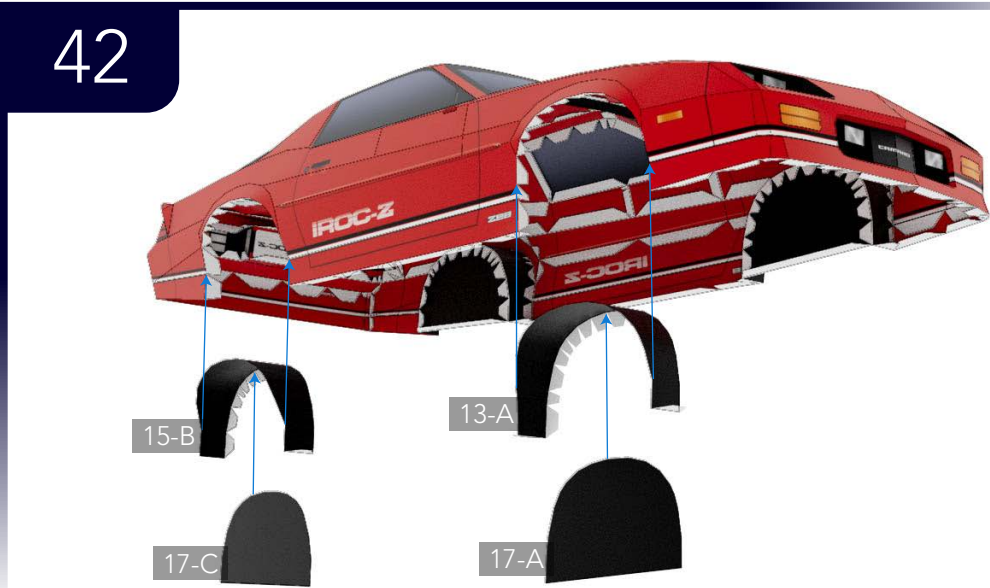
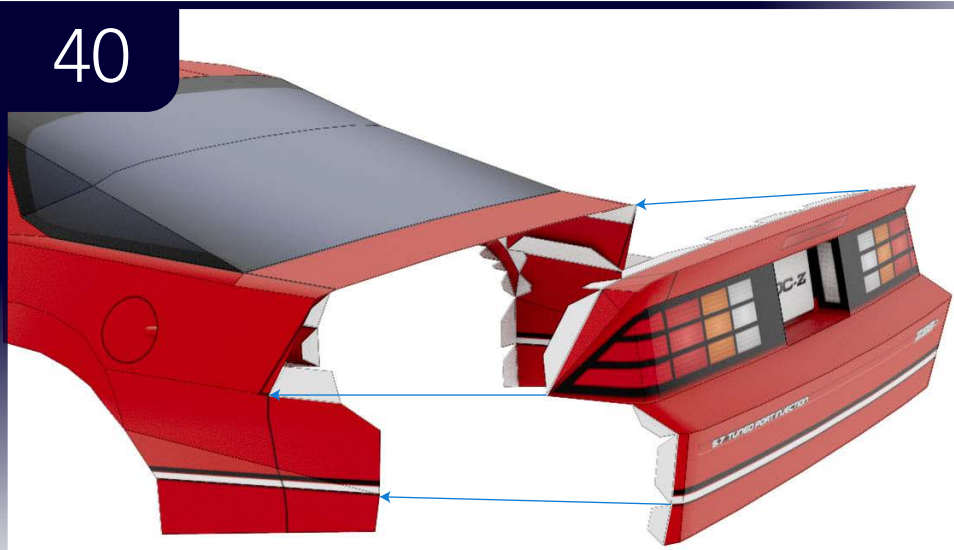
38



39

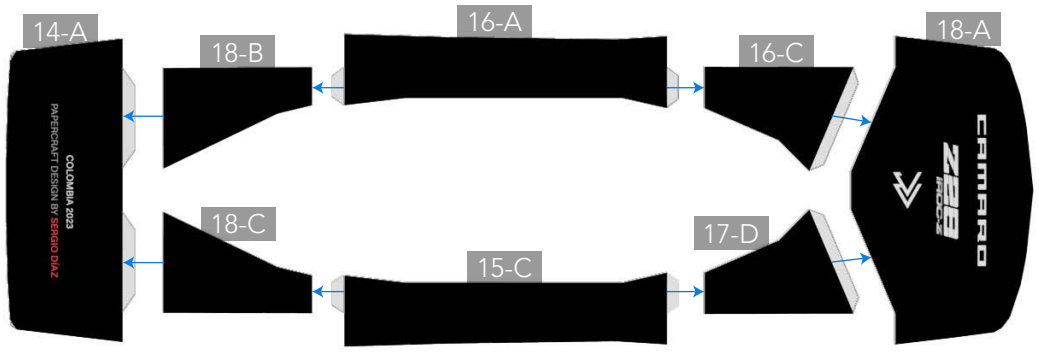


CAMARO IROC-Z INSTRUCTIONS

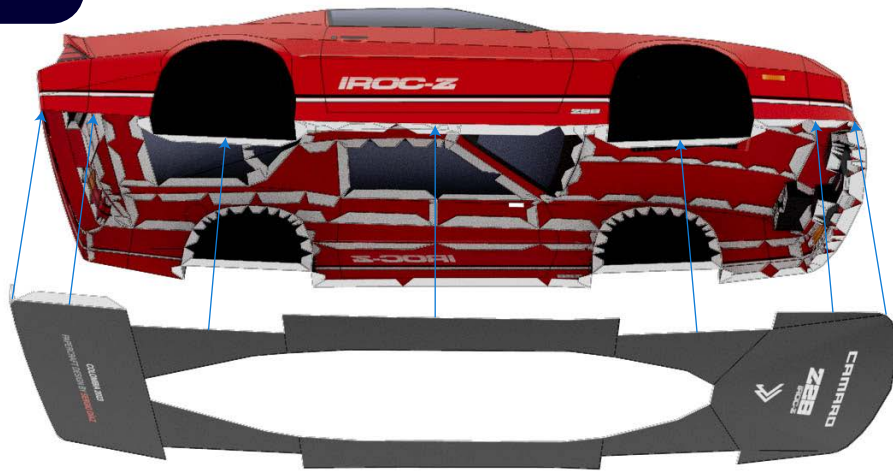


CAMARO IROC-Z INSTRUCTIONS

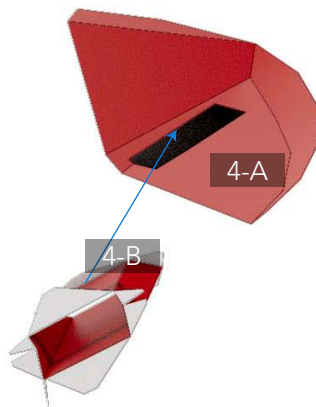
43



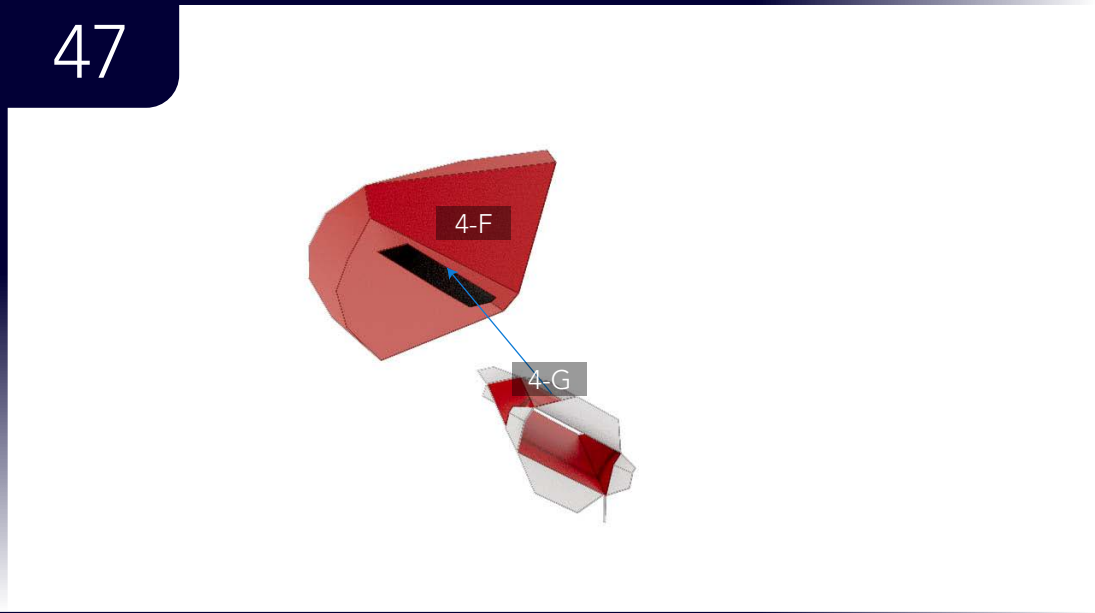
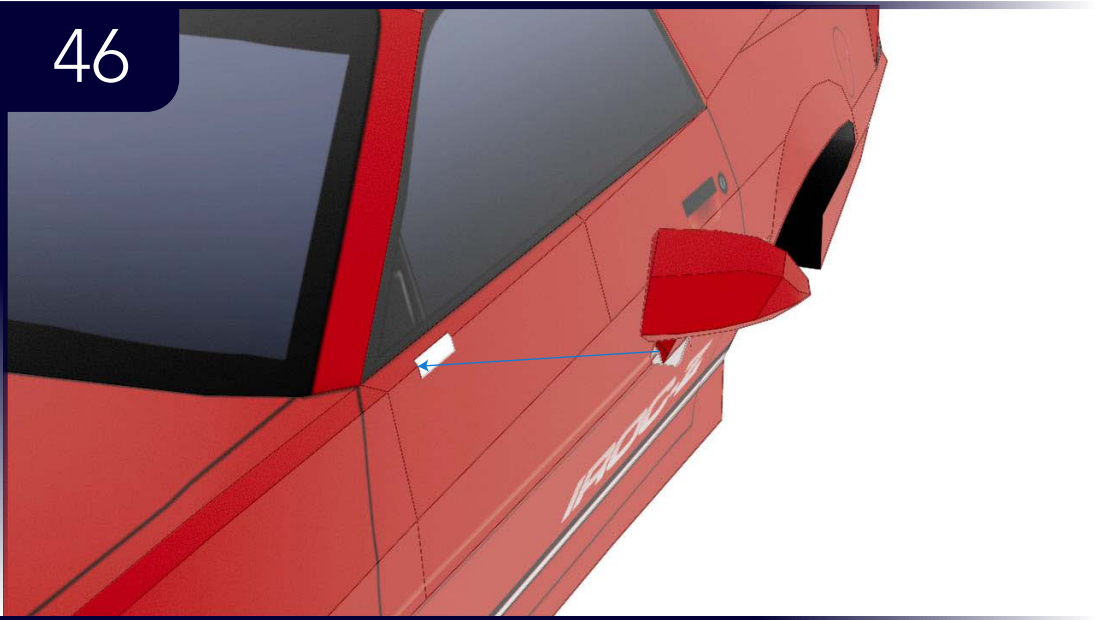
44



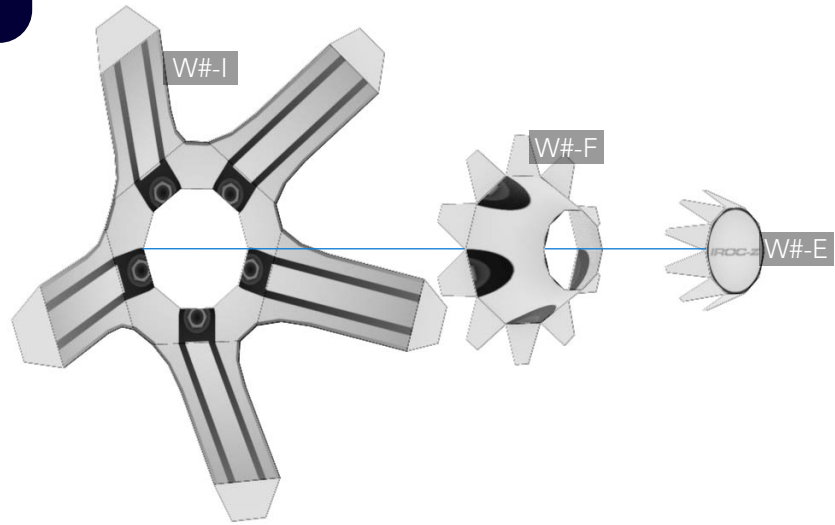
45



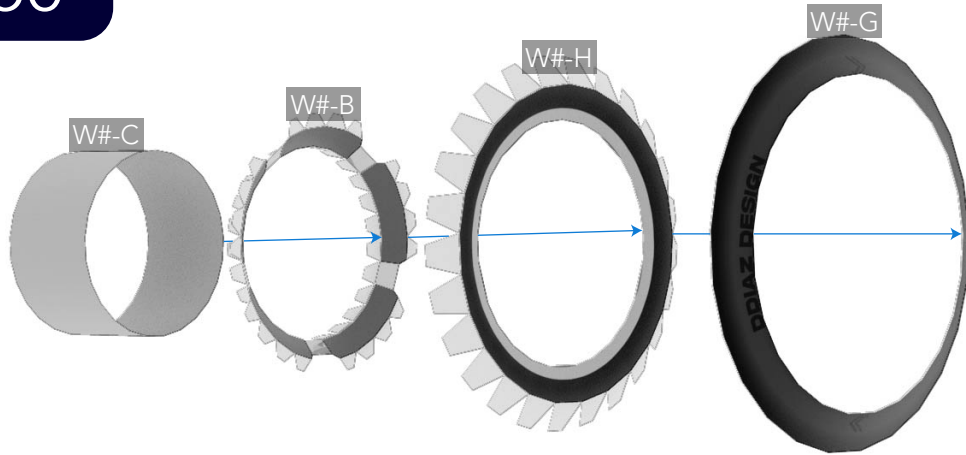
CAMARO IROC-Z INSTRUCTIONS



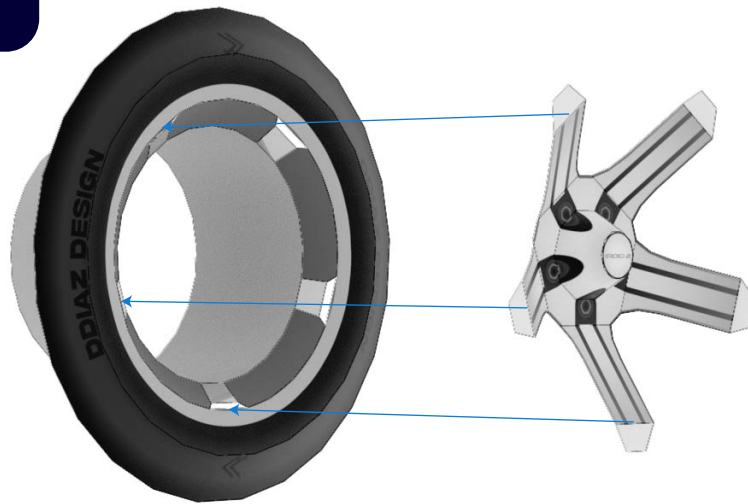
49



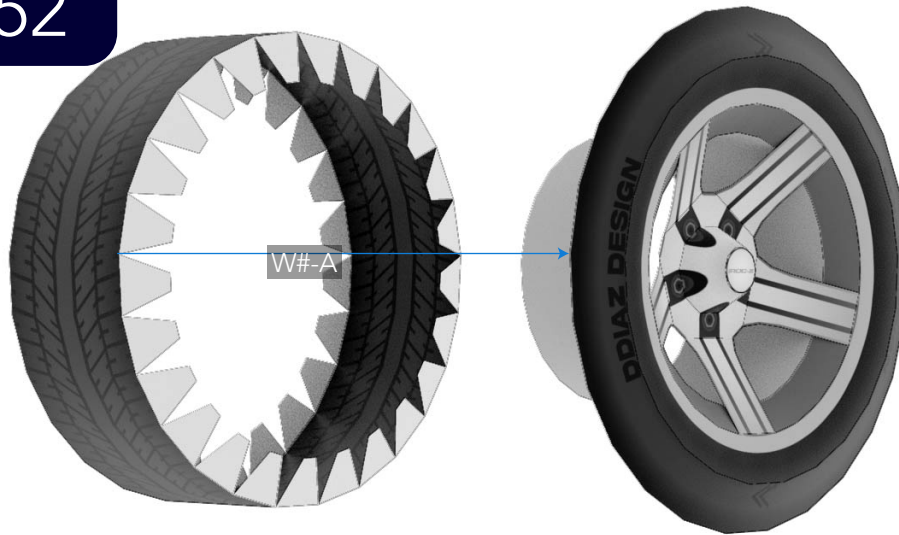
50



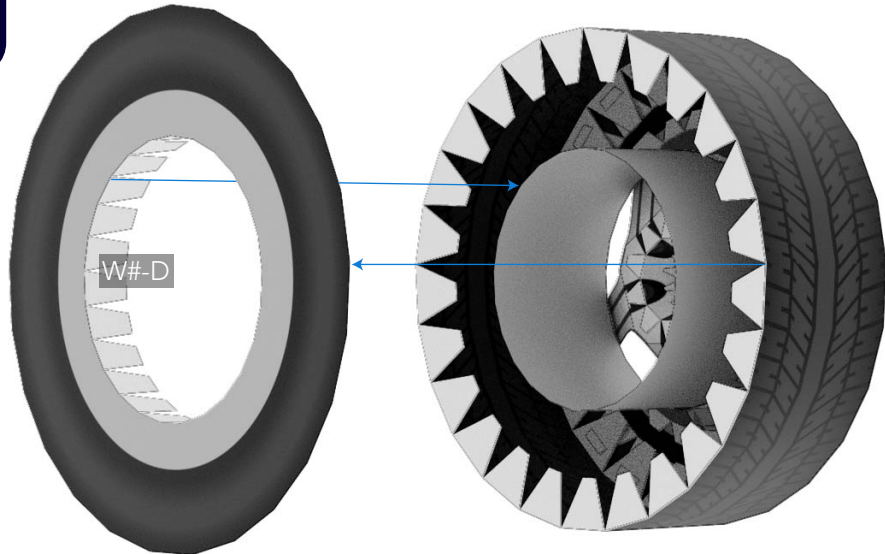
51



52



53

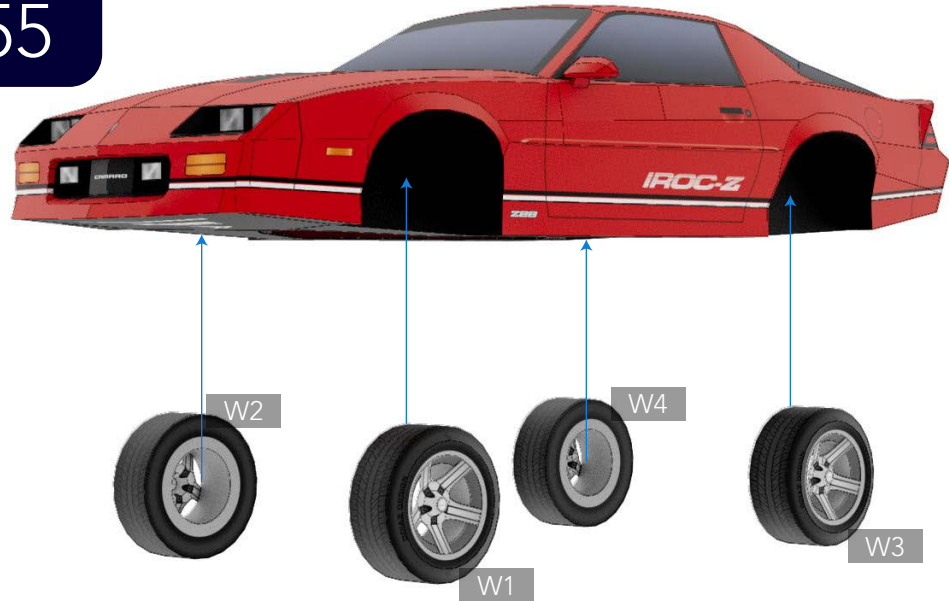


54

WHEEL CODE W#

WHEEL 1 (W1)	WHEEL 2 (W2)	WHEEL 3 (W3)	WHEEL 4 (W4)
W1-A	W2-A	W3-A	W4-A
W1-B	W2-B	W3-B	W4-B
W1-C	W2-C	W3-C	W4-C
W1-D	W2-D	W3-D	W4-D
W1-E	W2-E	W3-E	W4-E
W1-F	W2-F	W3-F	W4-F
W1-G	W2-G	W3-G	W4-G
W1-H	W2-H	W3-H	W4-H
W1-I	W2-I	W3-I	W4-I

55



Send the photos of your build to ddiaz.design98@gmail.com

For more, visit my web site

<https://sergiodanidiaz.wixsite.com/ddiaz-paper-design/>

