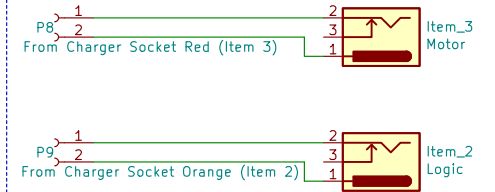
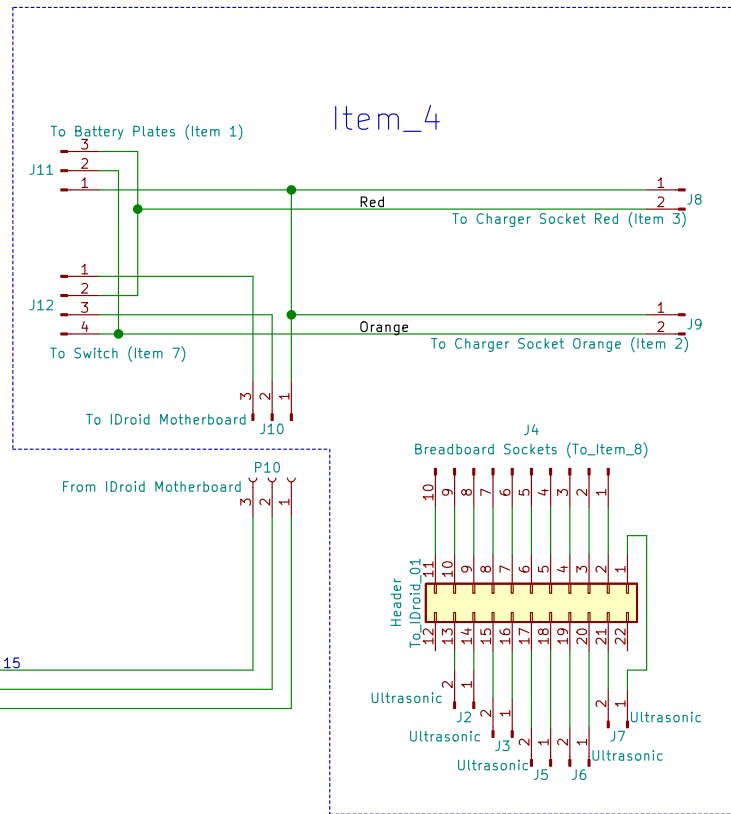
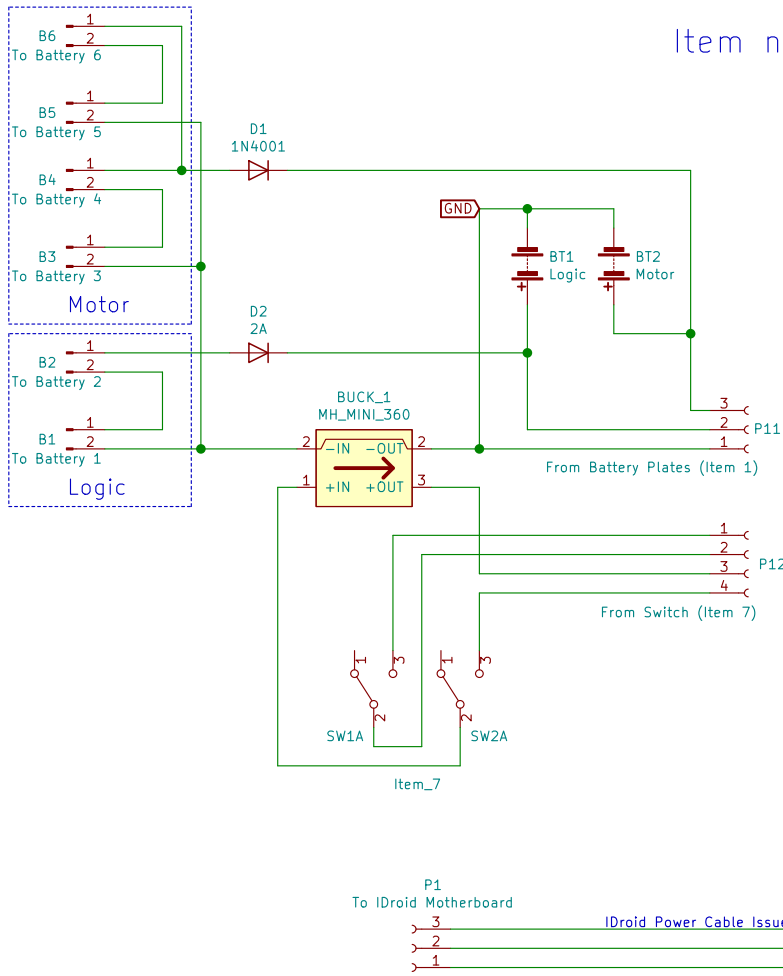


Item numbers refire to Items issued with magazine 13, see page 10.



Sheet: /  
File: I-Droid\_02\_Pouch\_Power\_Circuit.sch

**Title:**

Size: A4  
KiCad E.D.A. kicad (5.1.5)-3

Date:

**Rev:**

Id: 1/1