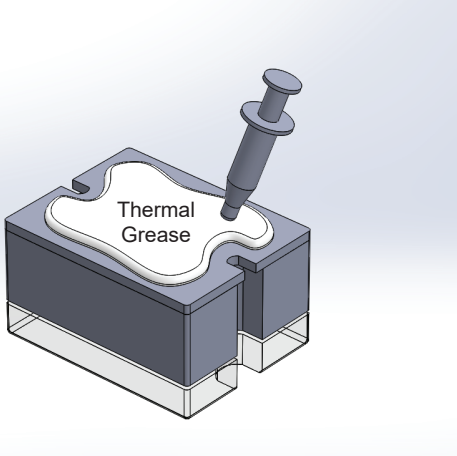
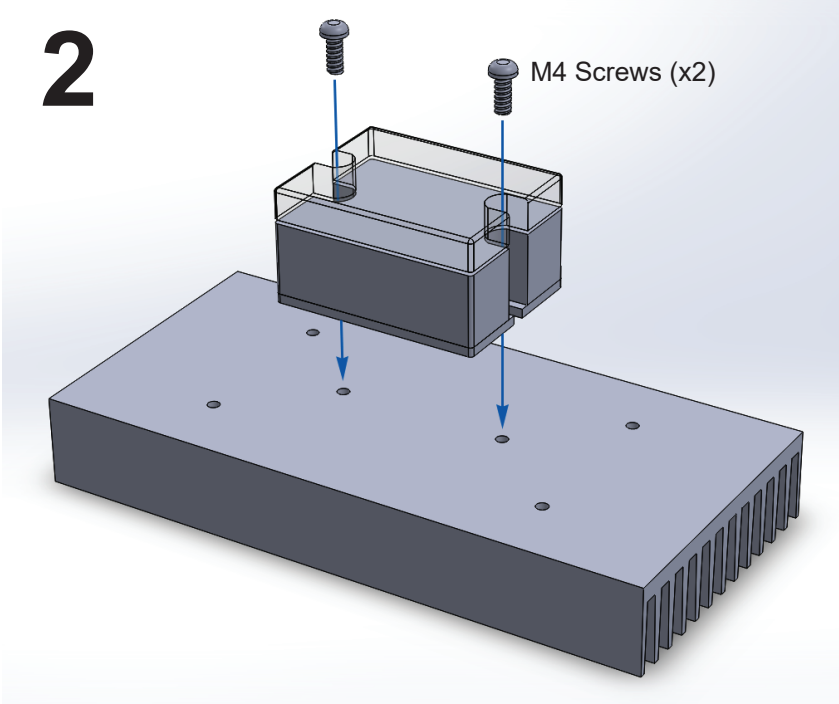


How to install Solid State Relay (SSR) and Heat Sink

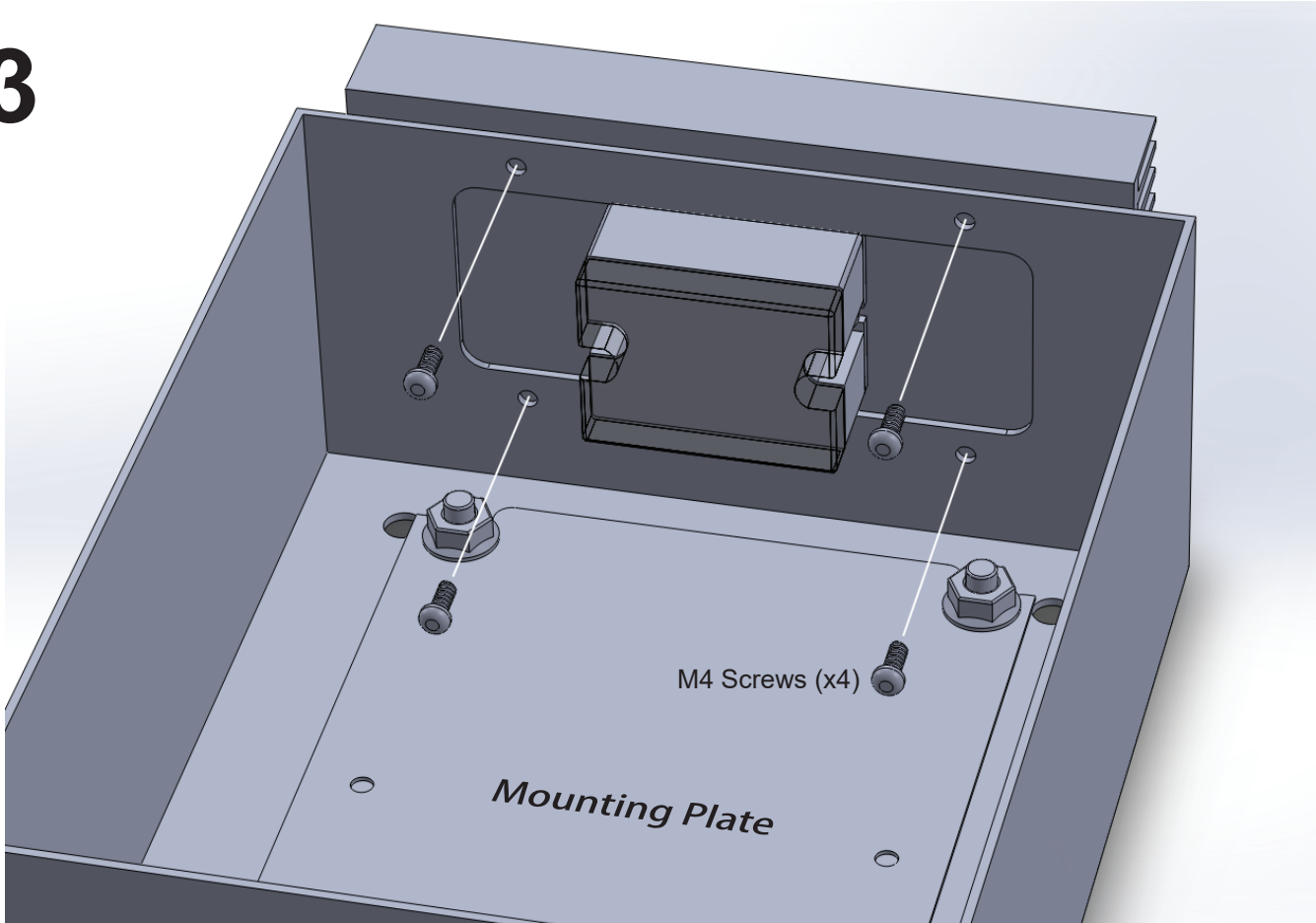
1



2



3



CAUTION: Please do NOT install SSR onto the mounting plate