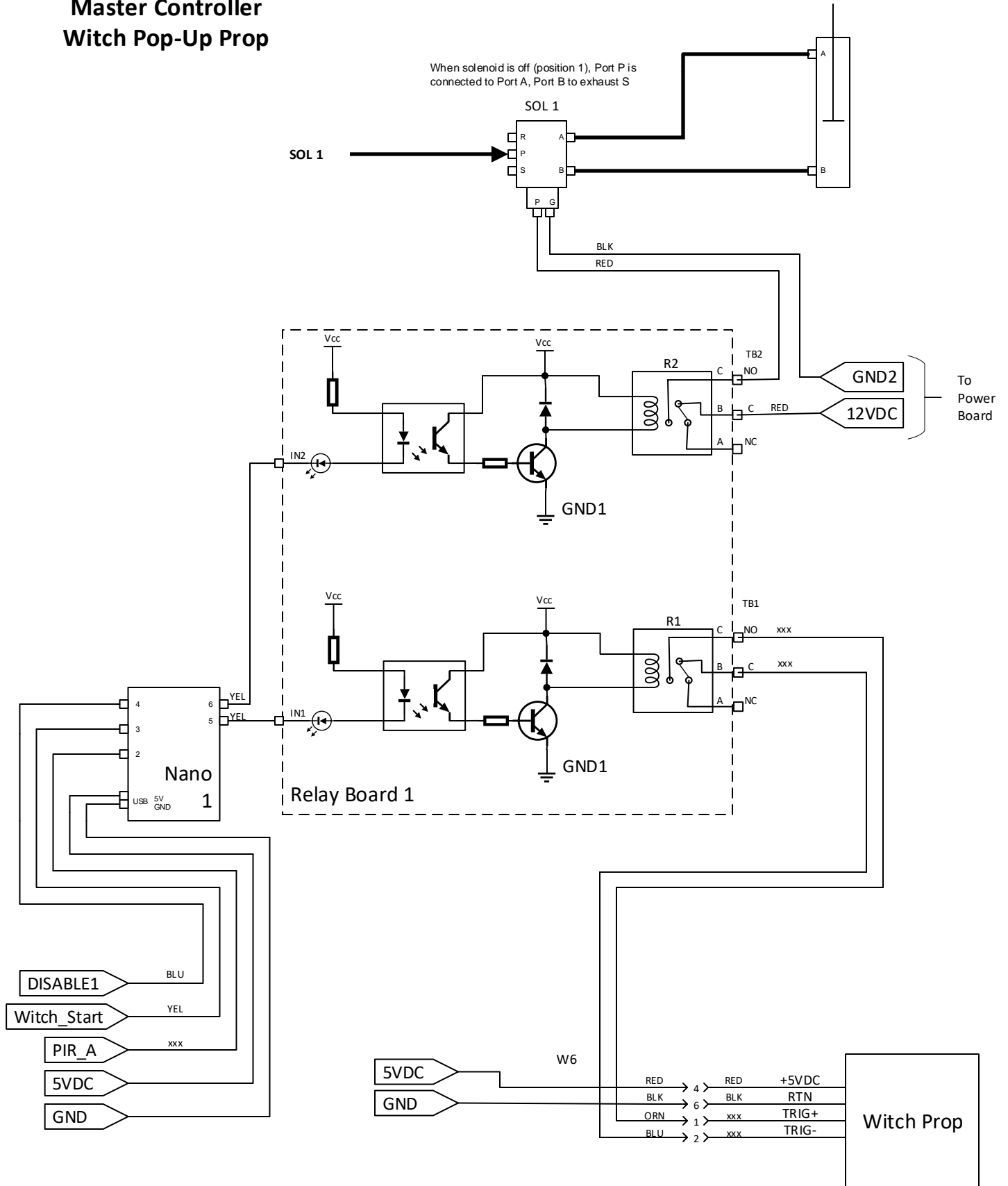
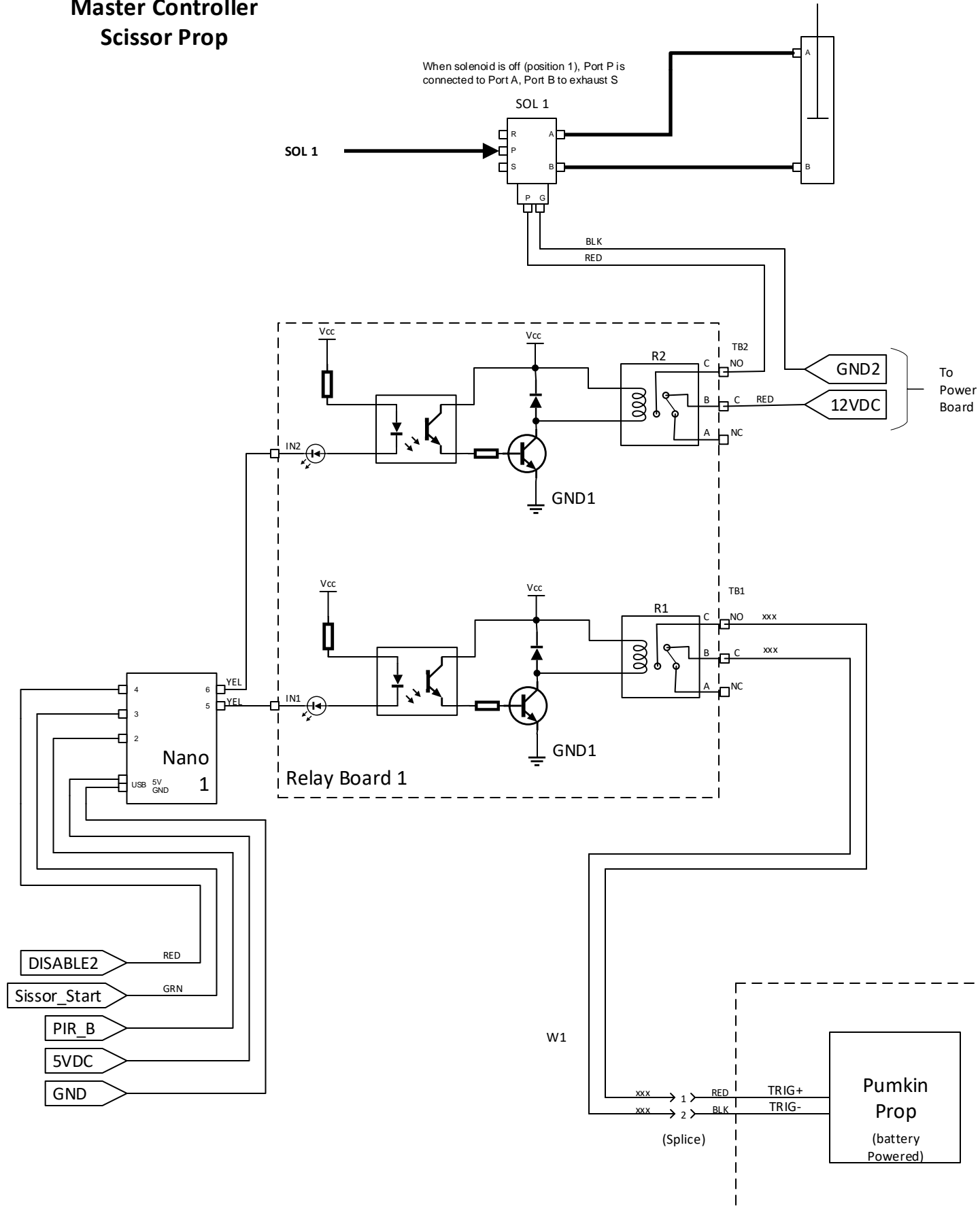


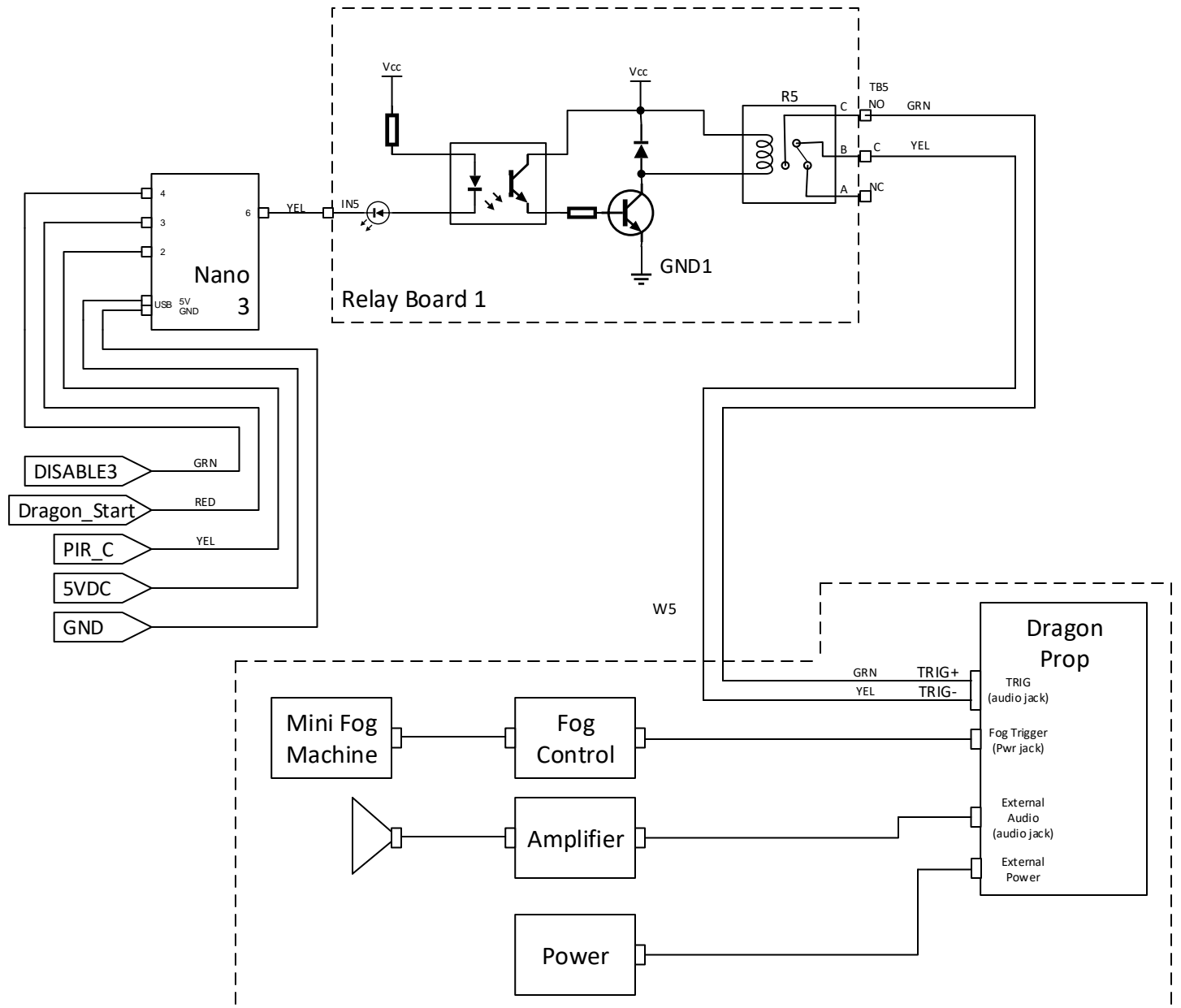
# Master Controller Witch Pop-Up Prop



# Master Controller Scissor Prop



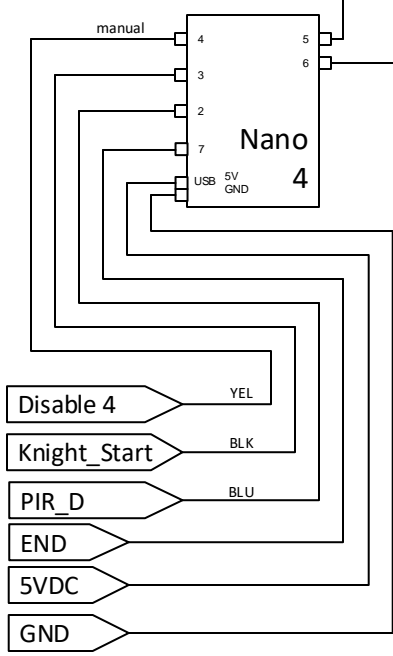
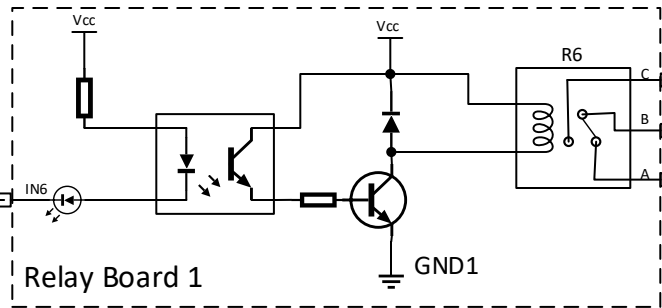
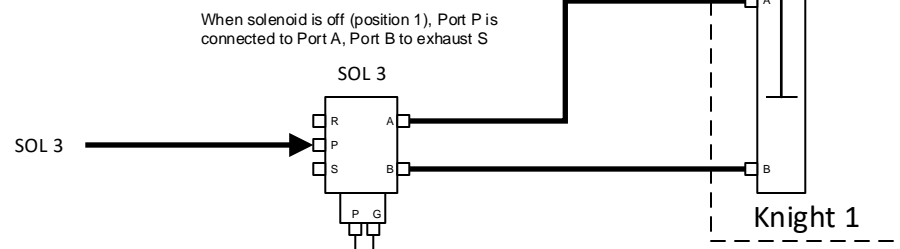
# Master Controller Dragon Prop



# Master Controller

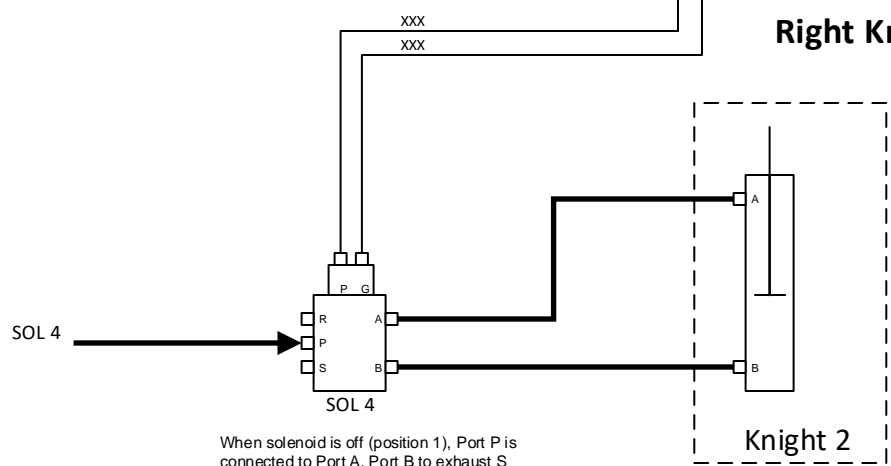
## Knights Prop

### Left Knight



Start

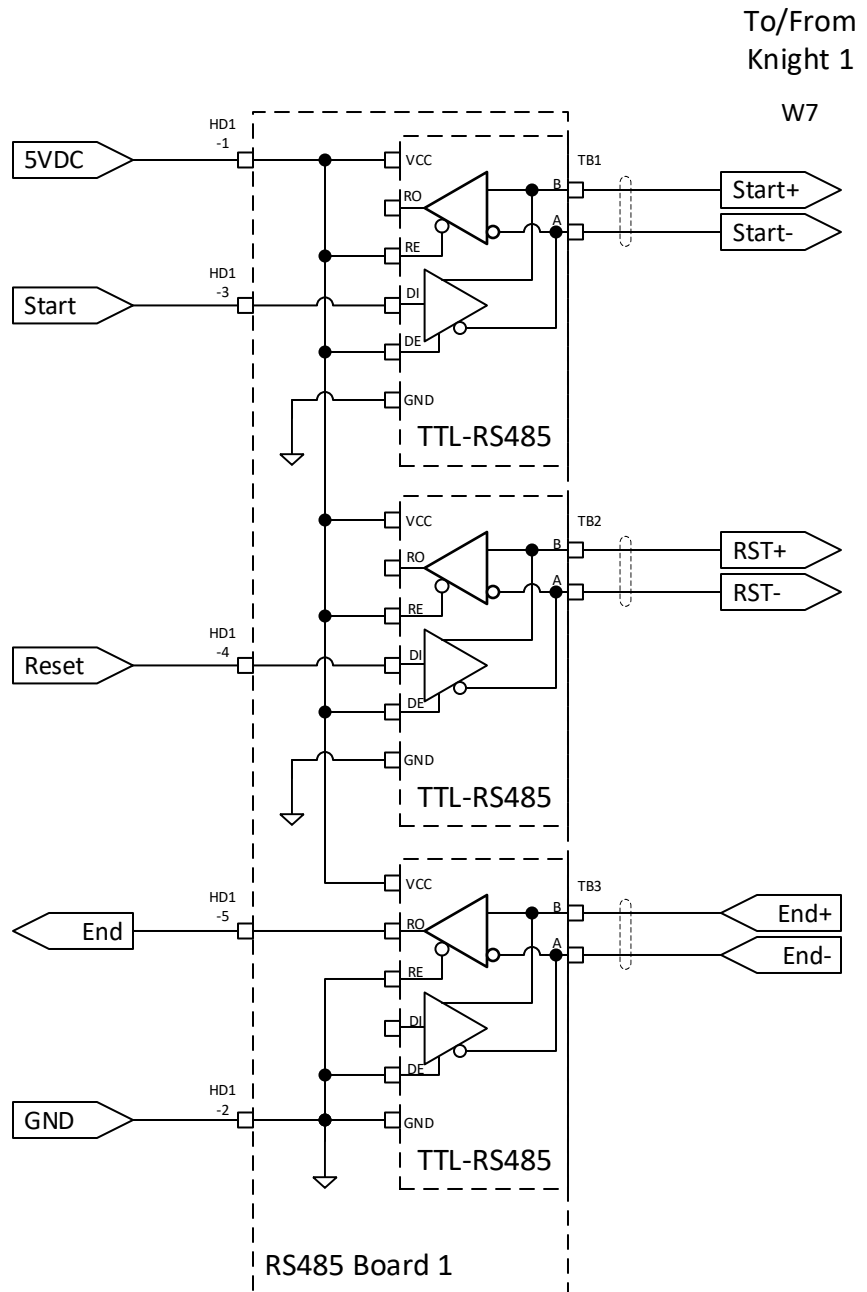
### Right Knight



To Power Board

# Master Controller

## Knights

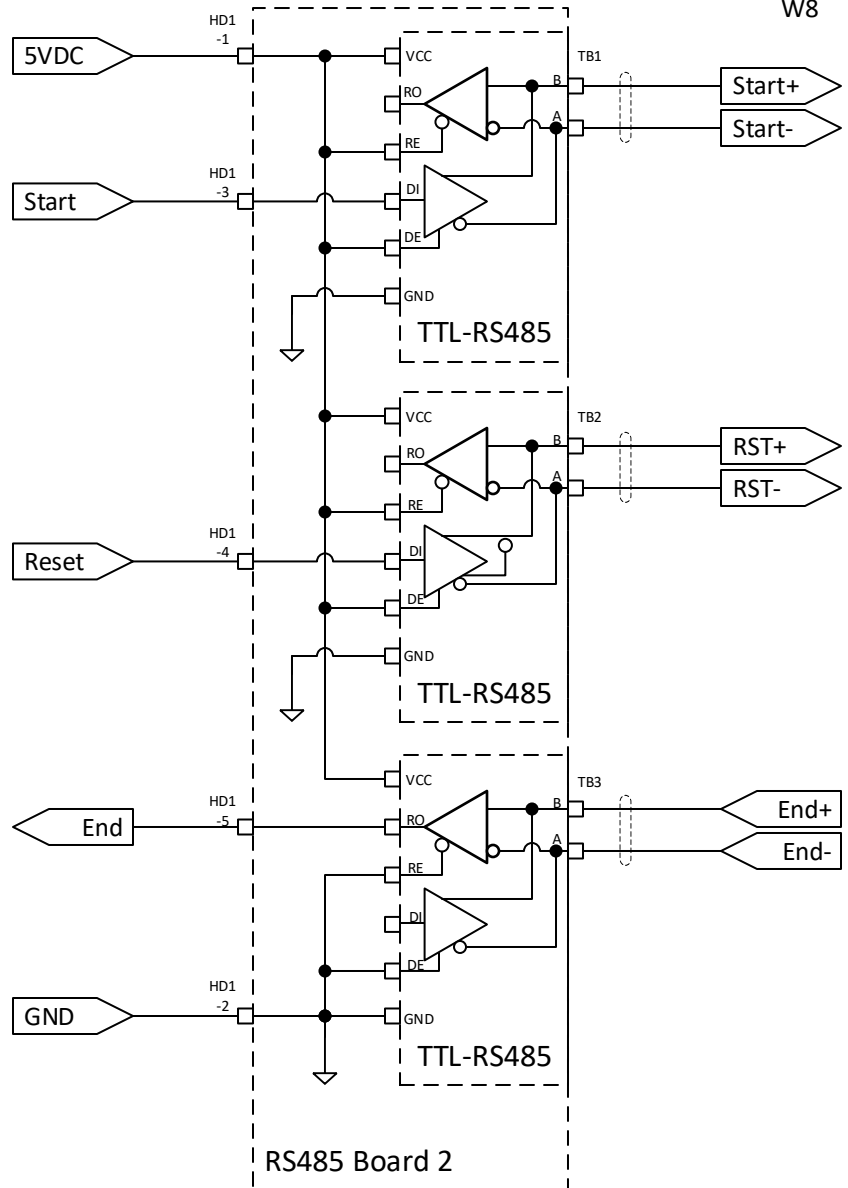


# Master Controller

## Knights

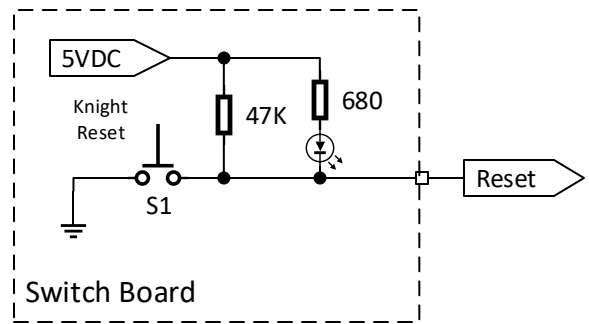
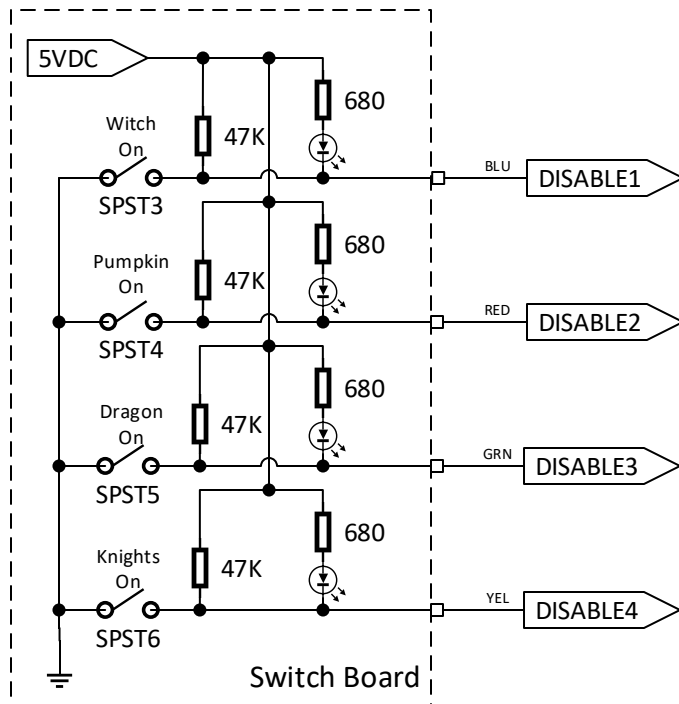
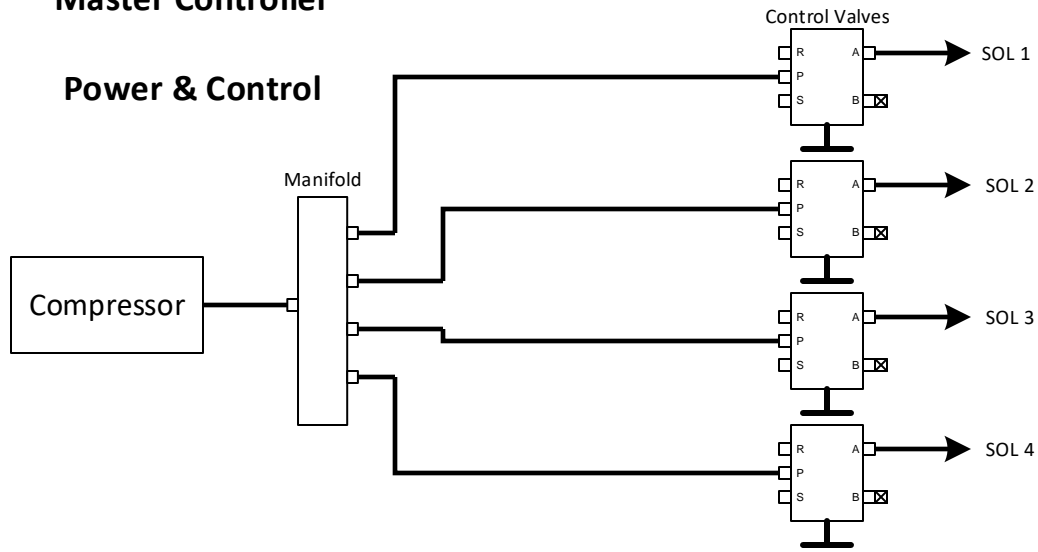
To/From  
Knight 2

W8

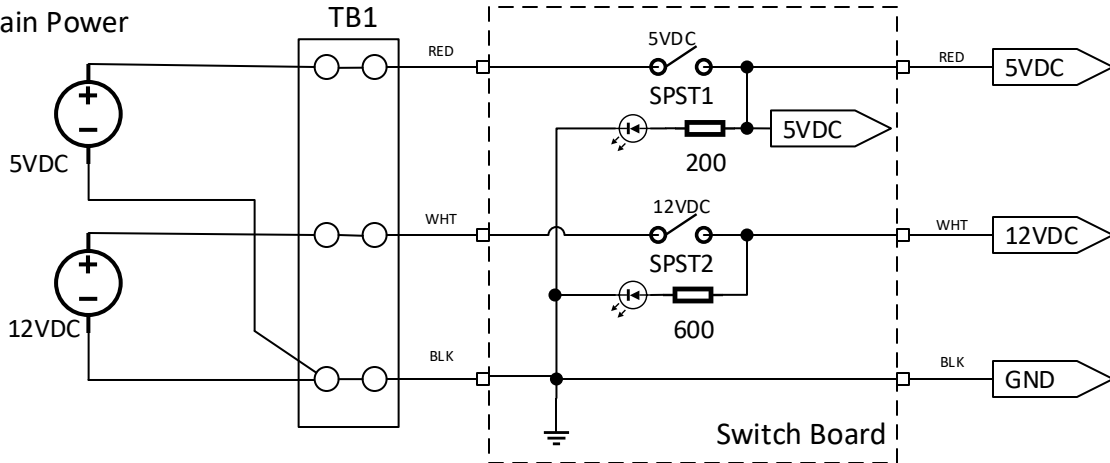


# Master Controller

## Power & Control

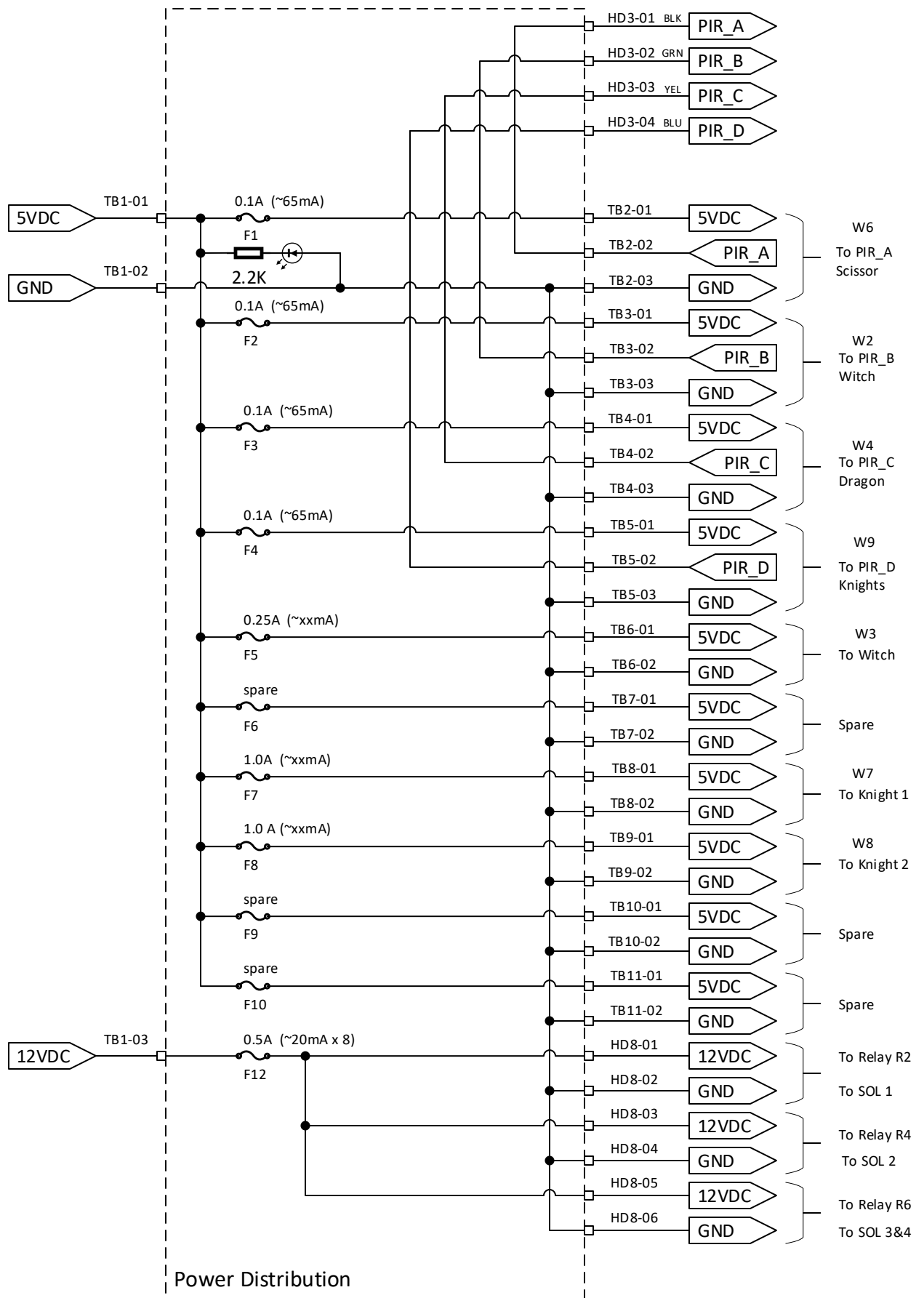


## Main Power

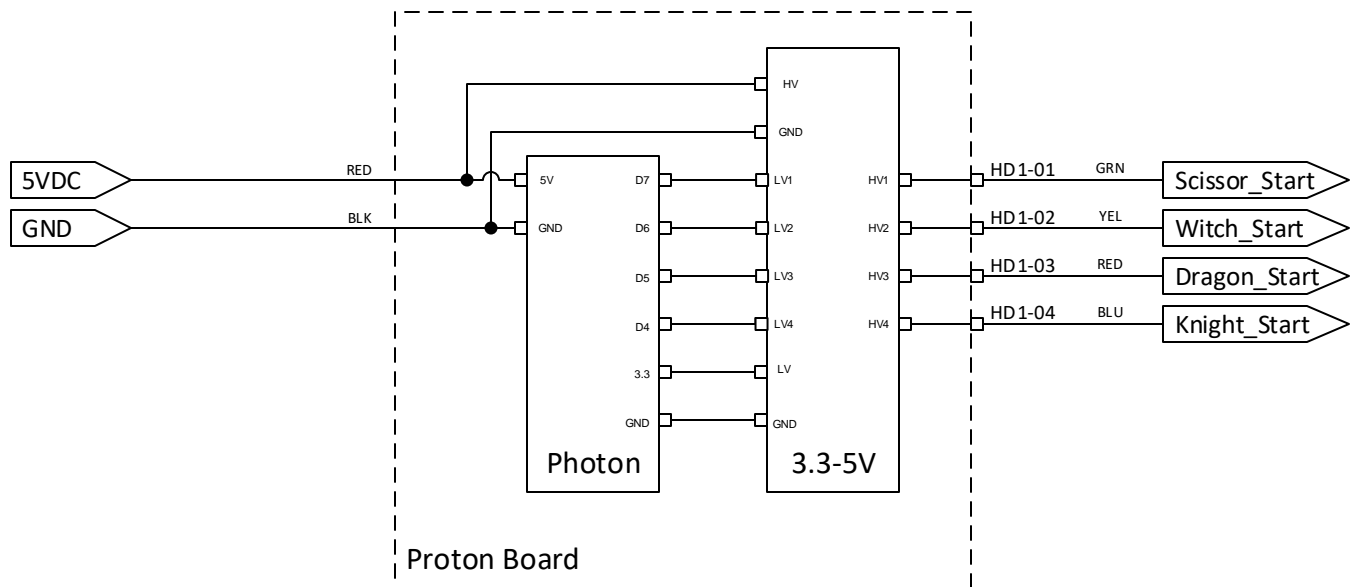
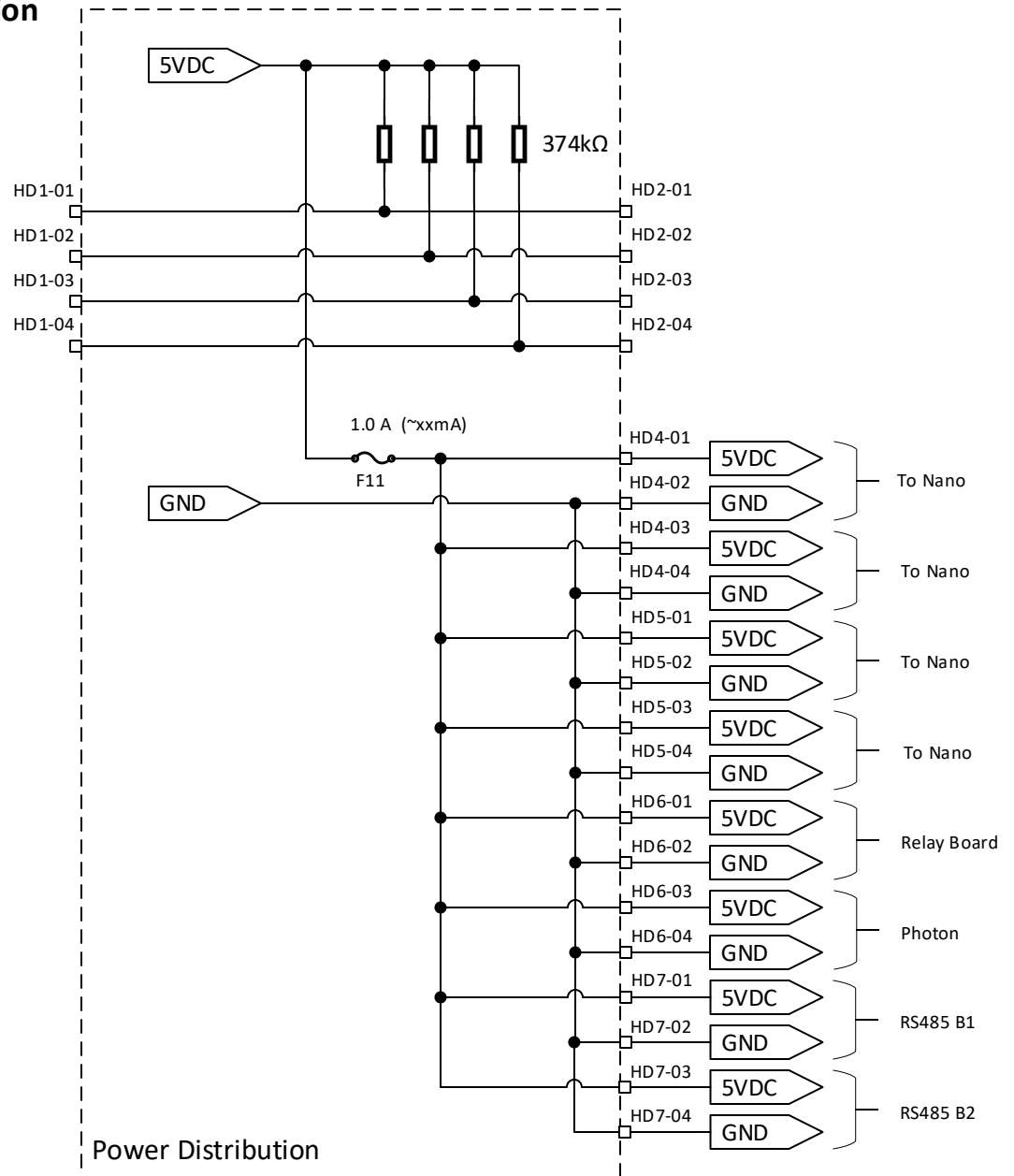




# Master Controller Power Distribution

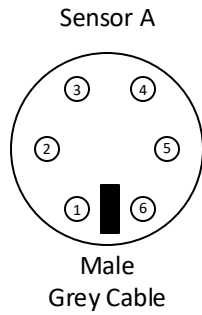


# Master Controller Power Distribution

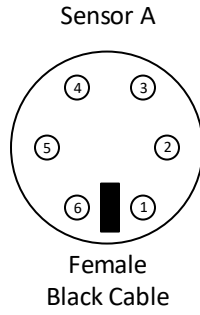


# Master Controller

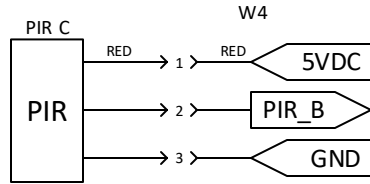
## Remote Cabling & Sensors



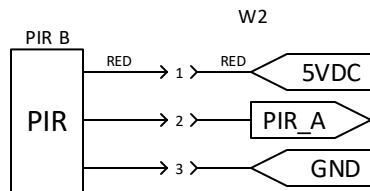
PIN	Cable	Function
1	N/C	N/C
2	ORN	N/C
3	N/C	N/C
4	BRN	PWR
5	RED	OUT
6	BLK	GND



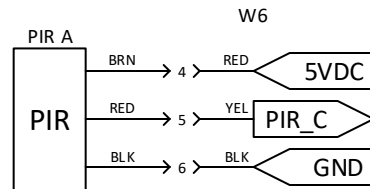
PIN	CABLE	Ex Cbl	Function
1	N/C	N/C	N/C
2	BRN	N/C	N/C
3	N/C	N/C	N/C
4	RED	RED	PWR
5	ORN	YEL	OUT
6	BLK	BLK	GND



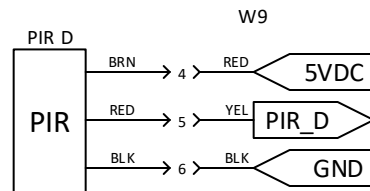
**Dragon Sensor**



**Scissor Sensor**

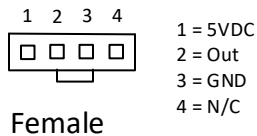
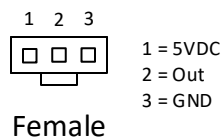


**Witch Pop-Up Sensor**



**Knight Sensor**

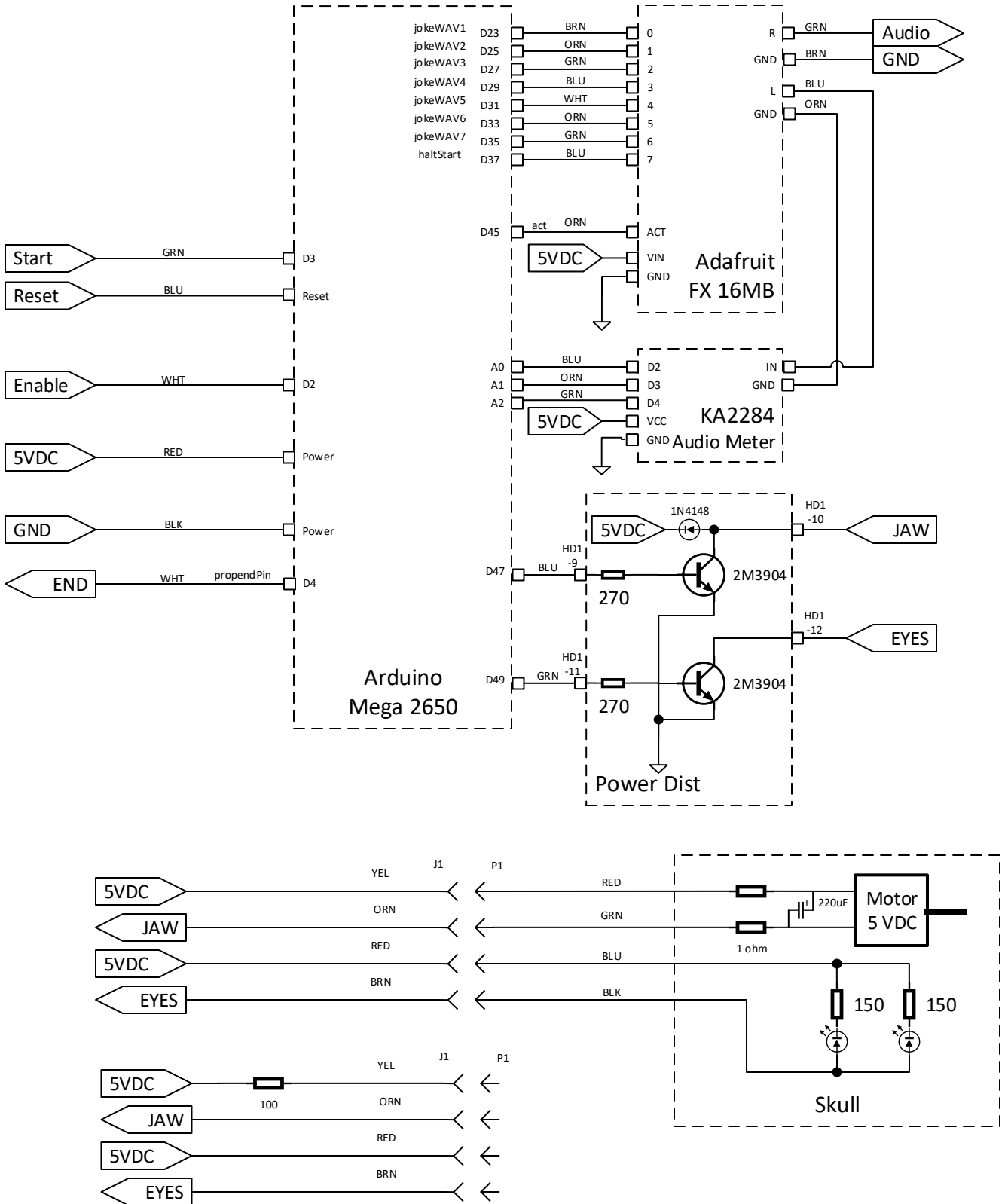
### PIR Sensor connectors



# Knights

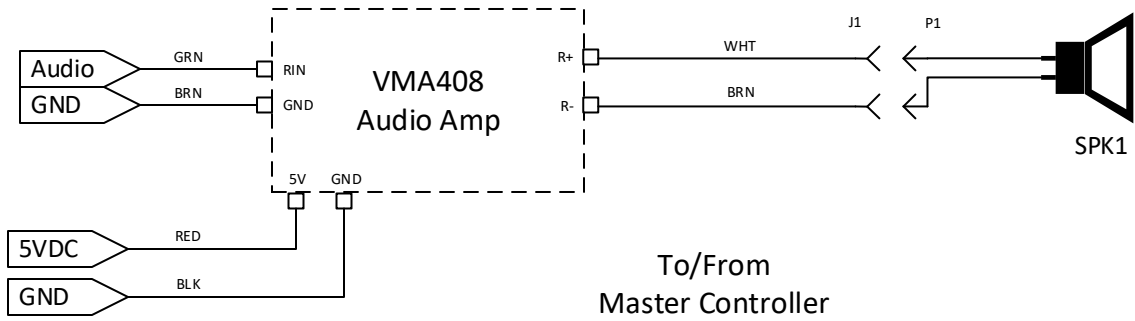
## Remote Controller

### Knight 1

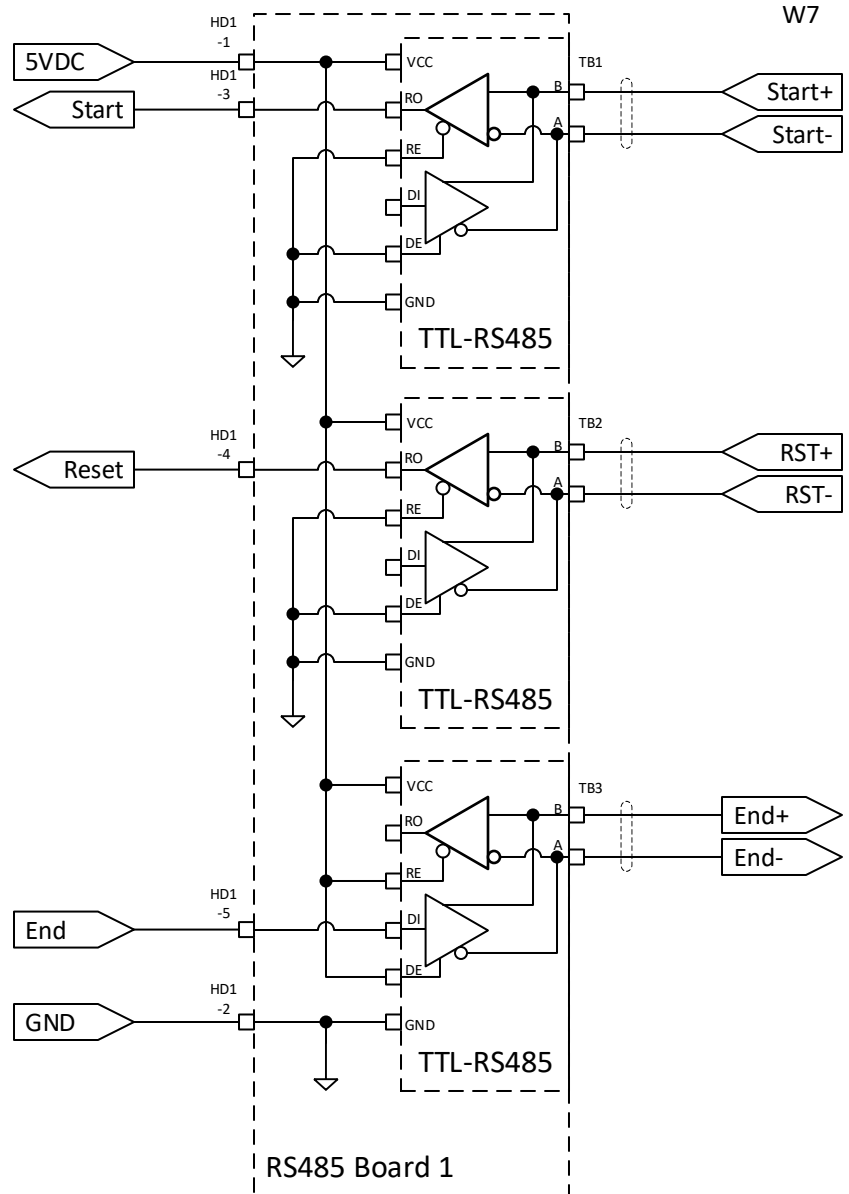


# Knight Remote Controller

Knight 1



To/From Master Controller



# Knight Remote Controller

Knight 1

