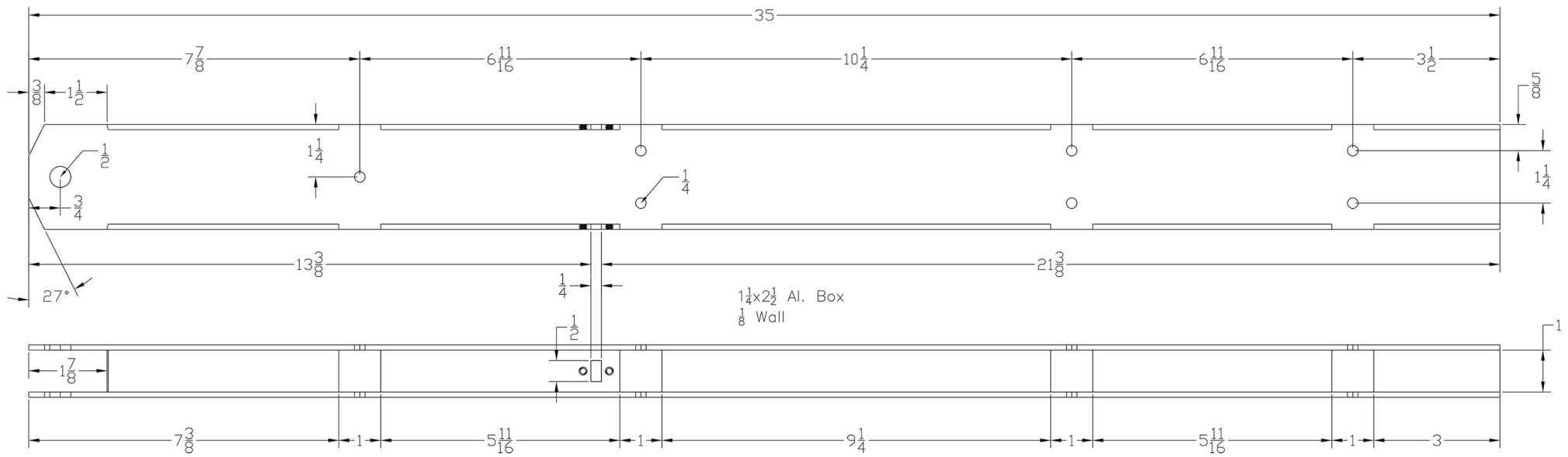
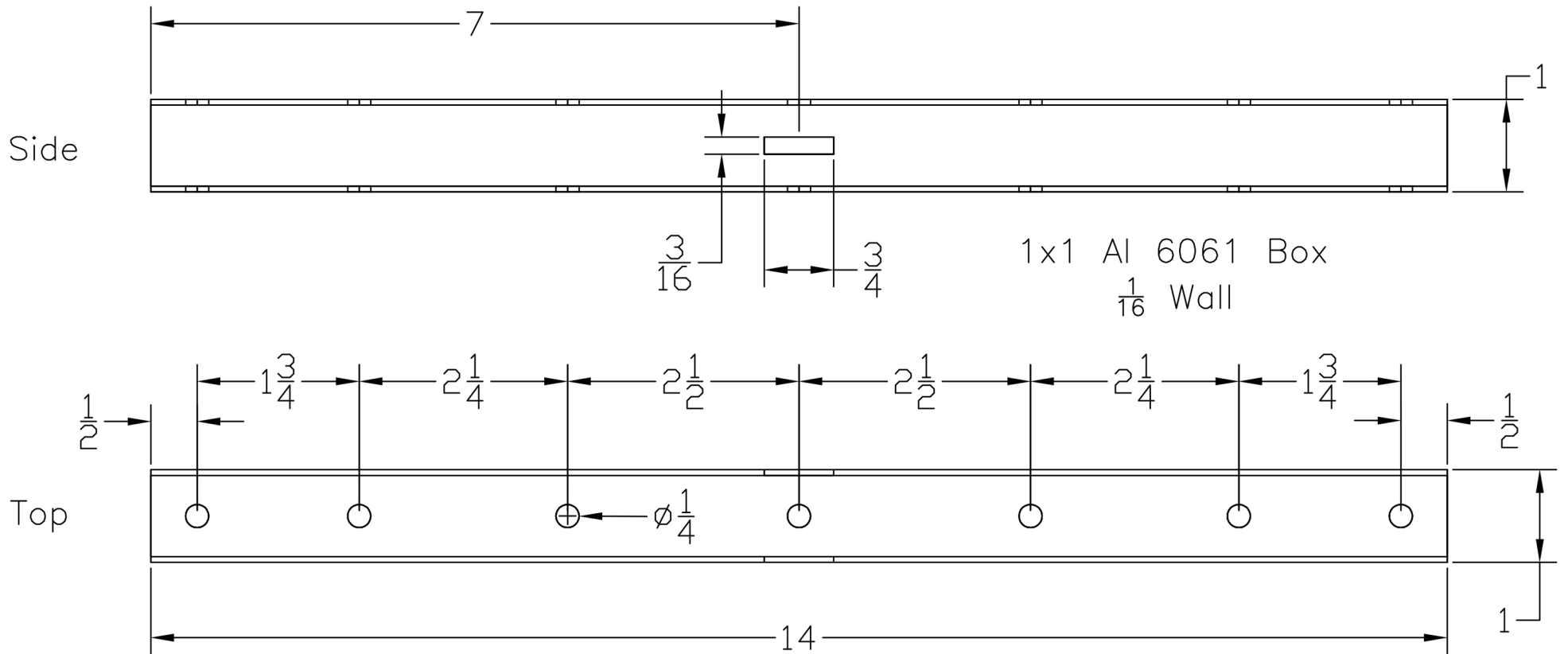


Central Box Tube x1



All dimensions in inches

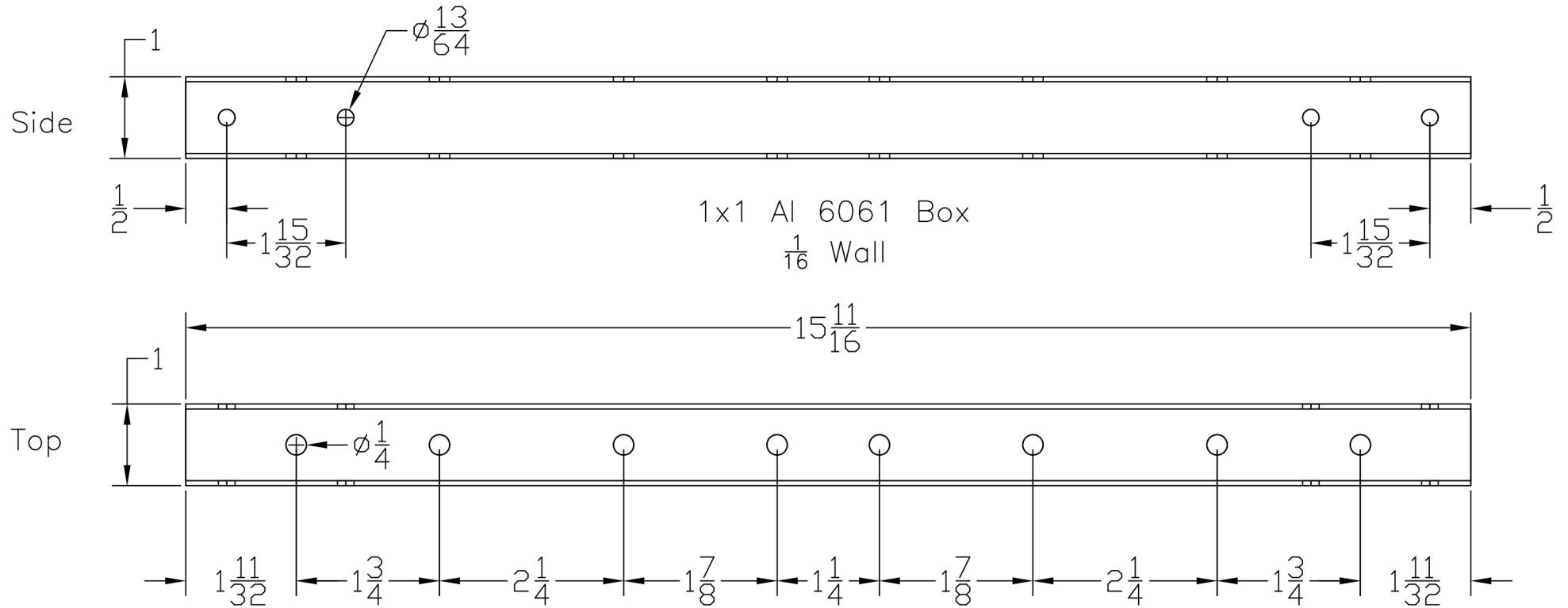
Front Cross Bar x1



All dimensions in inches

SKI SLED MKII
Josh Xarles © 2020

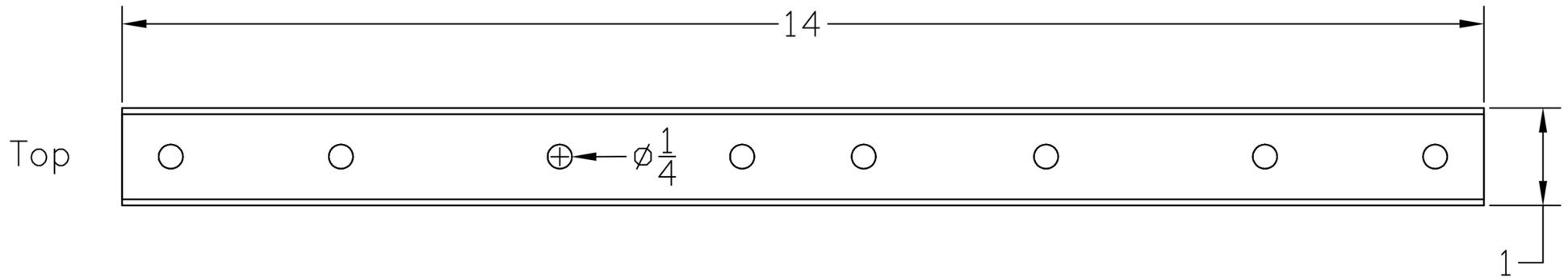
Middle Cross Bars x2



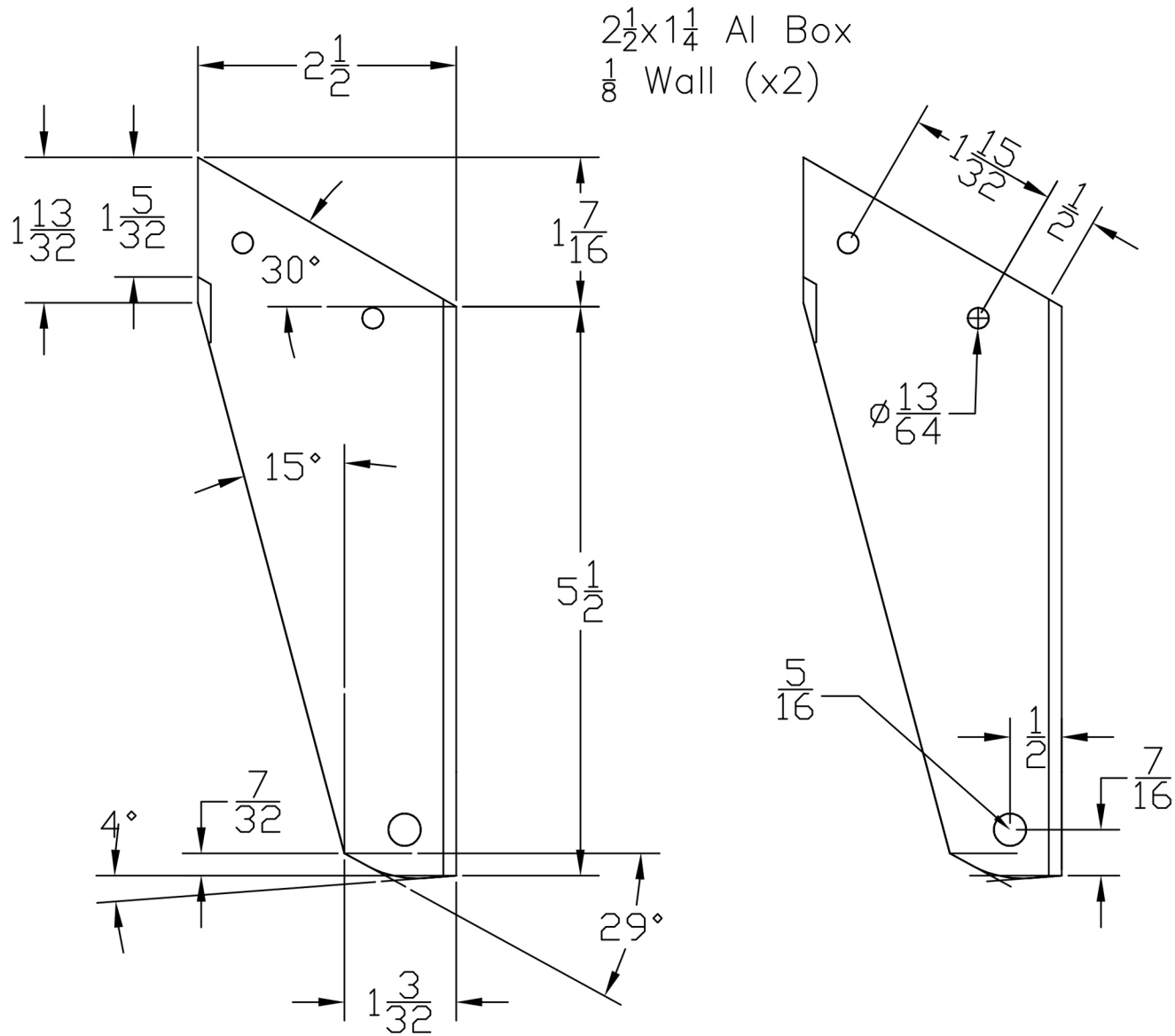
All dimensions in inches

Rear Cross Bar x1

1x1 Al 6061 Box
 $\frac{1}{16}$ Wall

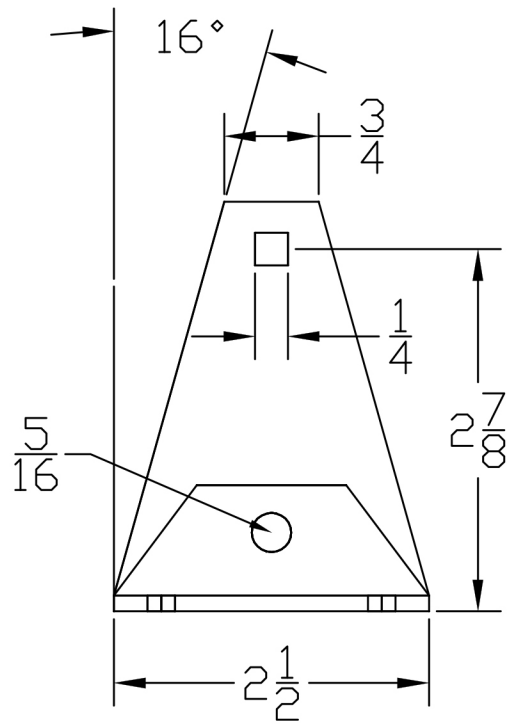


Ski Supports x4



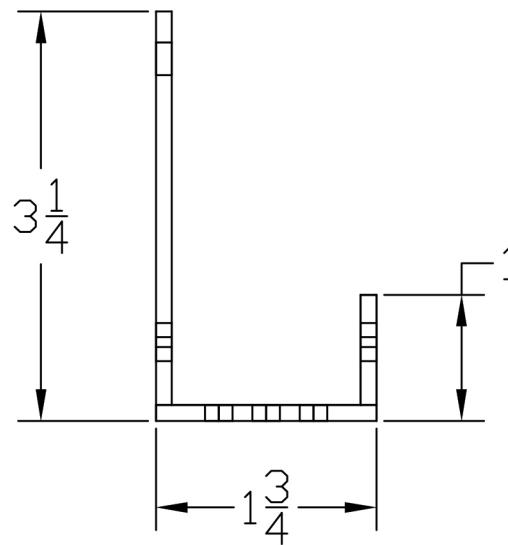
All dimensions in inches

Front Right Ski Pivot x1

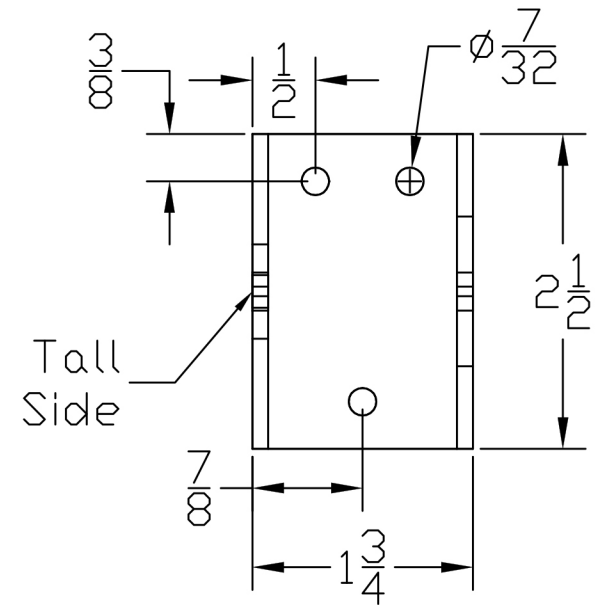


Front

$2\frac{1}{2} \times 4$ Al. Tube
 $\frac{1}{8}$ Wall

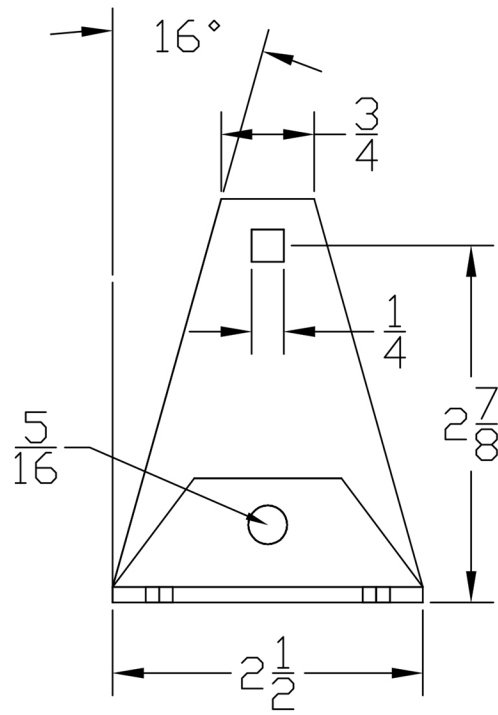


Side



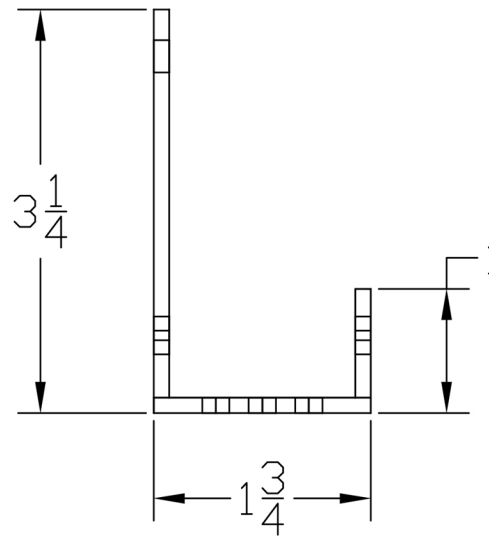
Top

Front Left Ski Pivot x1

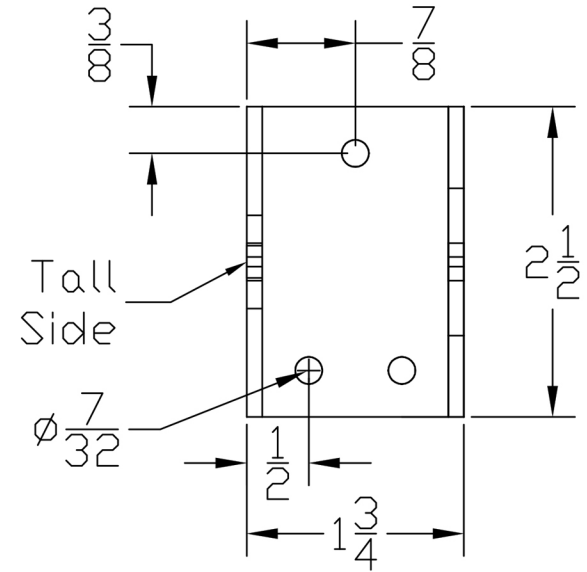


Front

$2\frac{1}{2} \times 4$ Al. Tube
 $\frac{1}{8}$ Wall

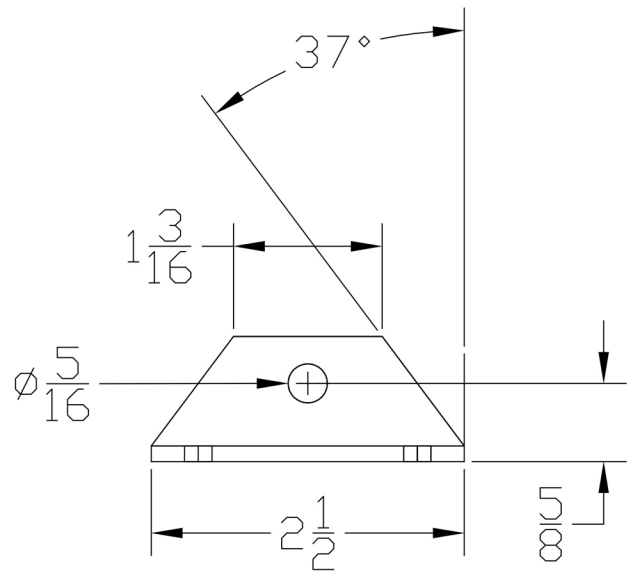


Side



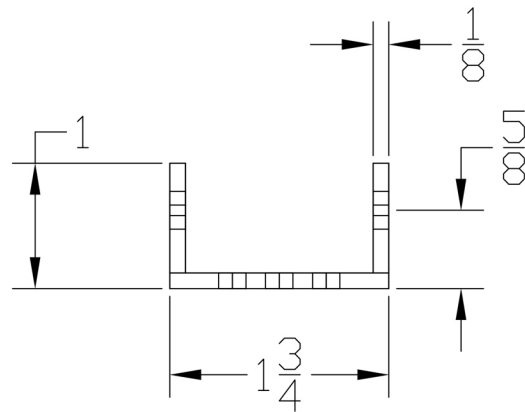
Top

Rear Ski Pivots x2

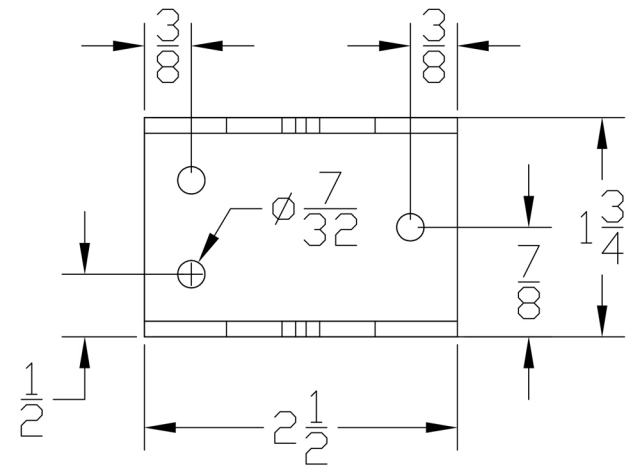


Front

$2 \frac{1}{2} \times 4$ Al. Tube
 $\frac{1}{8}$ Wall



Side



Top