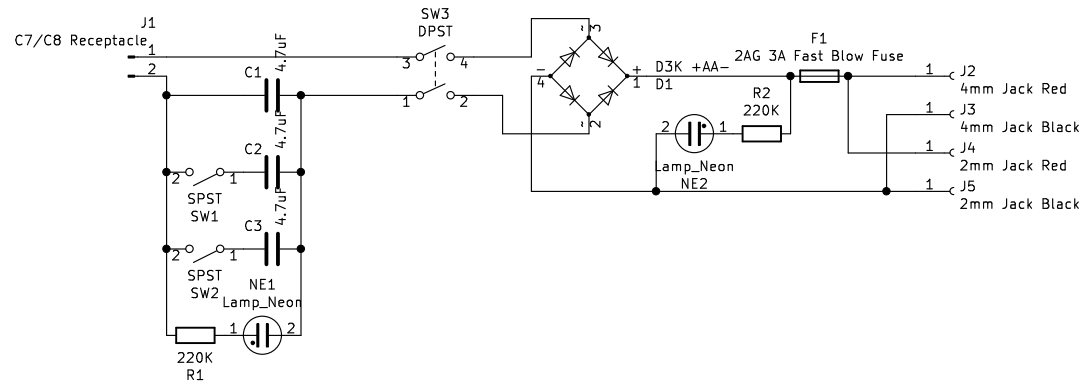


DANGER: LETHAL SHOCK HAZARD!
DO NOT BUILD OR OPERATE THIS CIRCUIT UNLESS YOU TAKE FULL RESPONSIBILITY FOR ITS USE OR MISUSE.

NOTE: R1 and R2 values depend on AC mains voltage.
Calculate correct values based on the neon lamp's minimum operating voltage and typical operating current.



- 1 < J6 #4 Mnt Hole
- 1 < J7 #4 Mnt Hole
- 1 < J8 #4 Mnt Hole
- 1 < J9 #4 Mnt Hole

Silverlake Corp.

Sheet: /
File: Dimp.sch

Title: Dimp

Size: USLetter Date: 2019-01-01
KiCad E.D.A. kicad (5.1.2)-1

Rev: 1-01
Id: 1/1