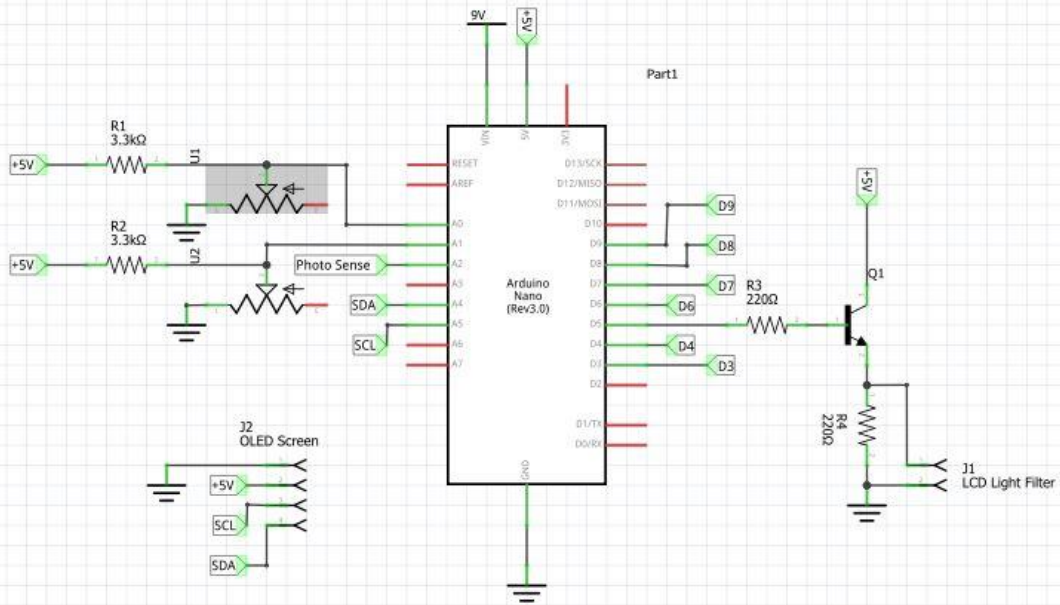
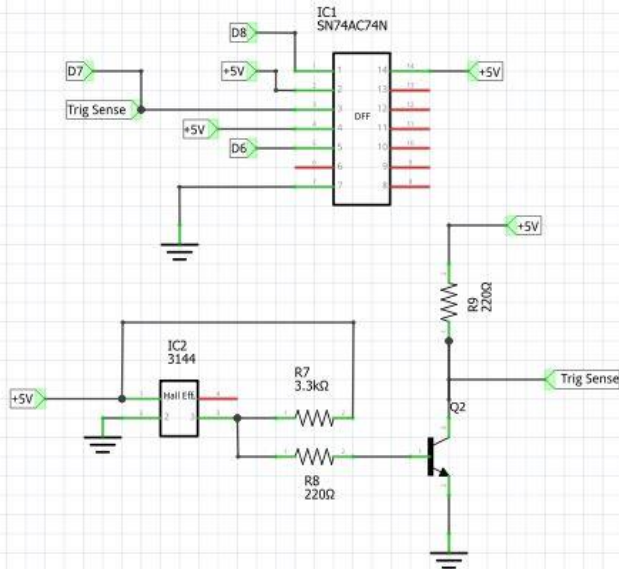


### Main Circuit



### Tigger Circuits



### Clip Circuit

