

1

2

3

4

5

6

A

B

C

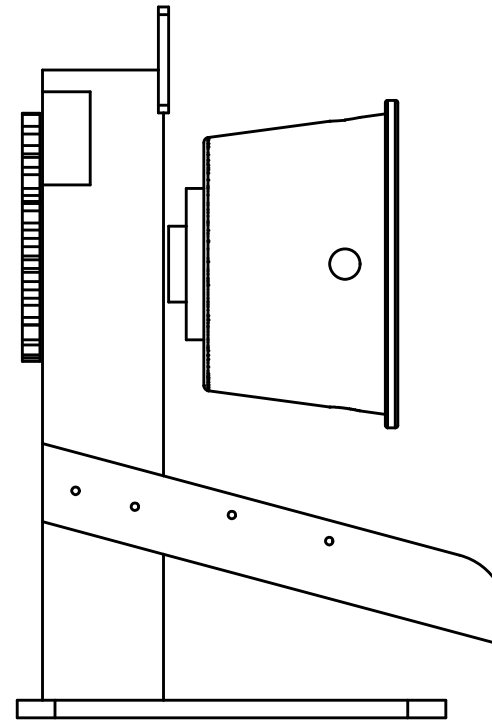
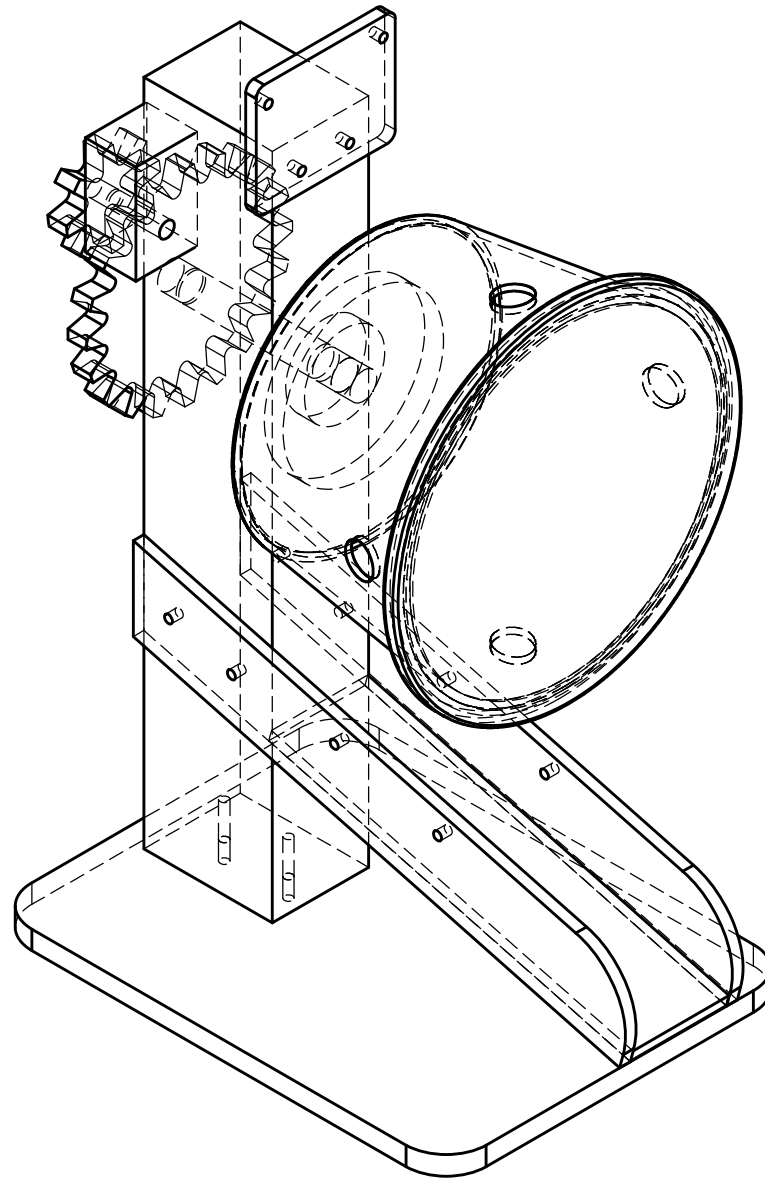
D

A

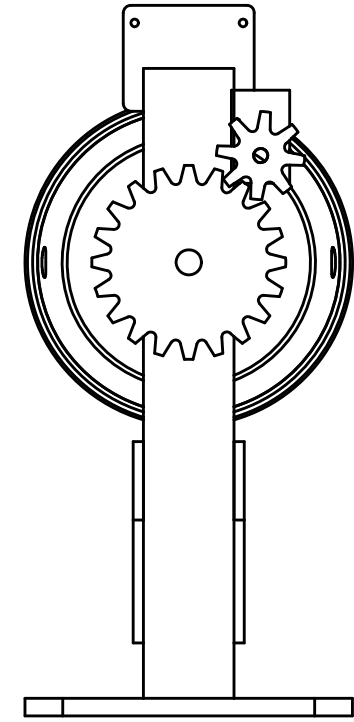
B

C

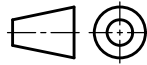
D



SCALE 1:3



SCALE 1:3

TITLE		
Catfeed - overview		
LAST UPDATED	UNITS	SHEET
08/13/22	mm	1 / 1
FIRST ANGLE PROJECTION	SCALE	SIZE
	1:2	A4

1

2

3

4

5

6