

4

3

2

1

D

D

C

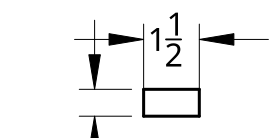
C

B

B

A

A

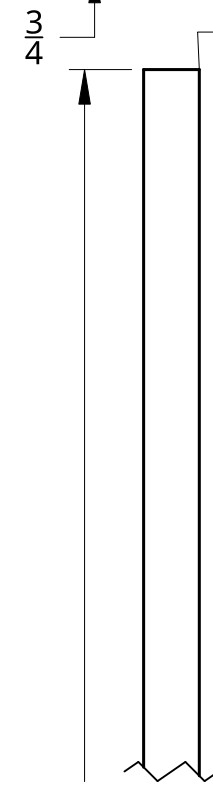


horizontal beam



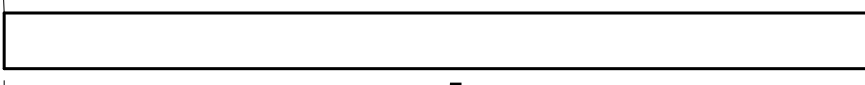
48 ⁵/₈

vertical beam



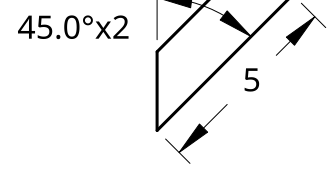
72

swing out horizontal beam



22 ⁵/₈

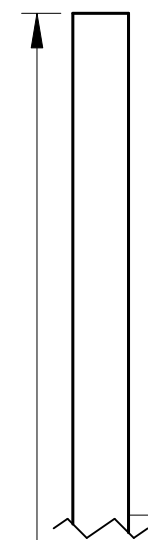
corner brace



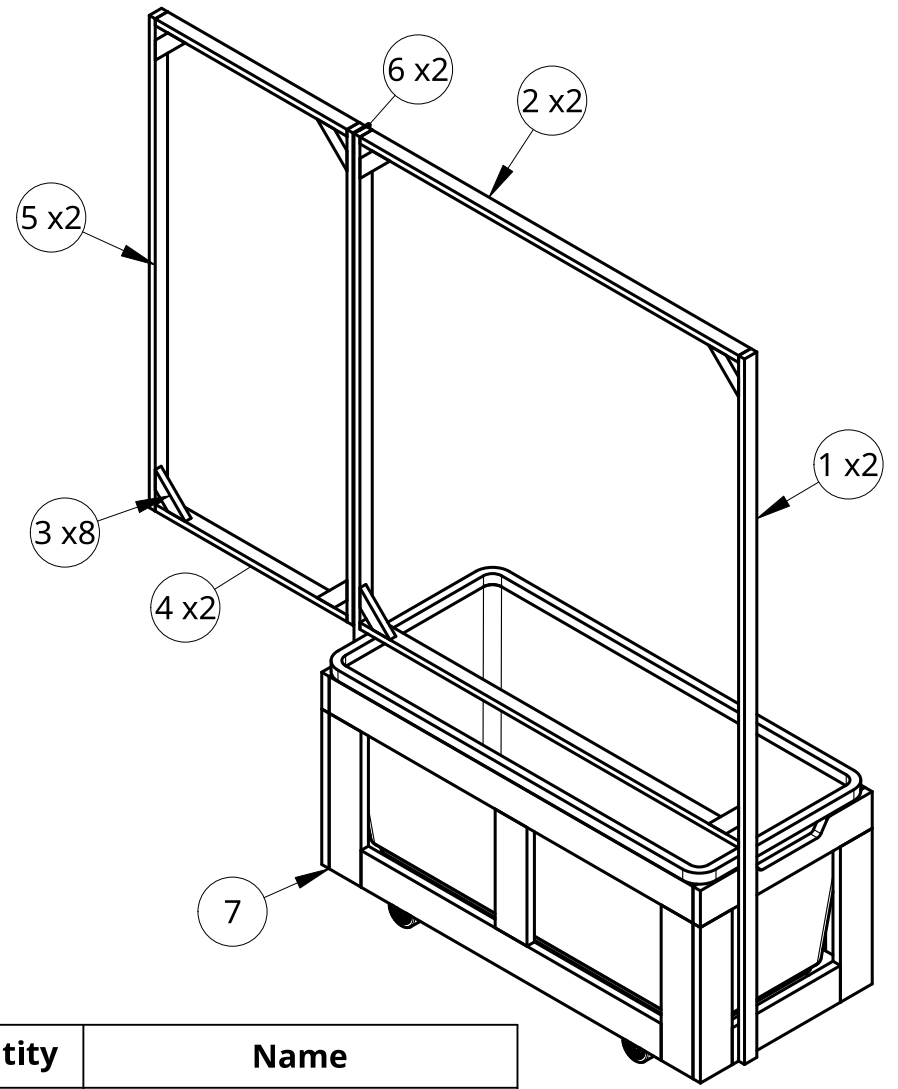
45.0°x2

5

swing out vertical beam



52



SCALE 1:16

Item	Quantity	Name
1	2	vertical beam
2	2	horizontal beam
3	8	corner brace
4	2	swing out horizontal beam
5	2	swing out vertical beam
6	2	Hinge Assembly
7	1	PLANTER_TOPLEVEL

UNLESS OTHERWISE SPECIFIED,
DIMENSIONS ARE IN INCHES

.XX = ±.0-
.XXX = ±.00-
.XXXX = ±.000-

ANGULAR = ± °
FRACTIONAL = ±

SURFACE FINISH

DO NOT SCALE DRAWING

BREAK ALL SHARP EDGES AND
REMOVE BURRS

THIRD ANGLE PROJECTION

	NAME	DATE
DRAWN	BEN PARNAS	06/23/2020
CHECKED		
APPROVED		

TITLE		Plantar Trellis Board Lengths	
SIZE	DWG NO.	REV	00
SCALE	1:5	WEIGHT	
SHEET	1 of 1		

4

3

2

1