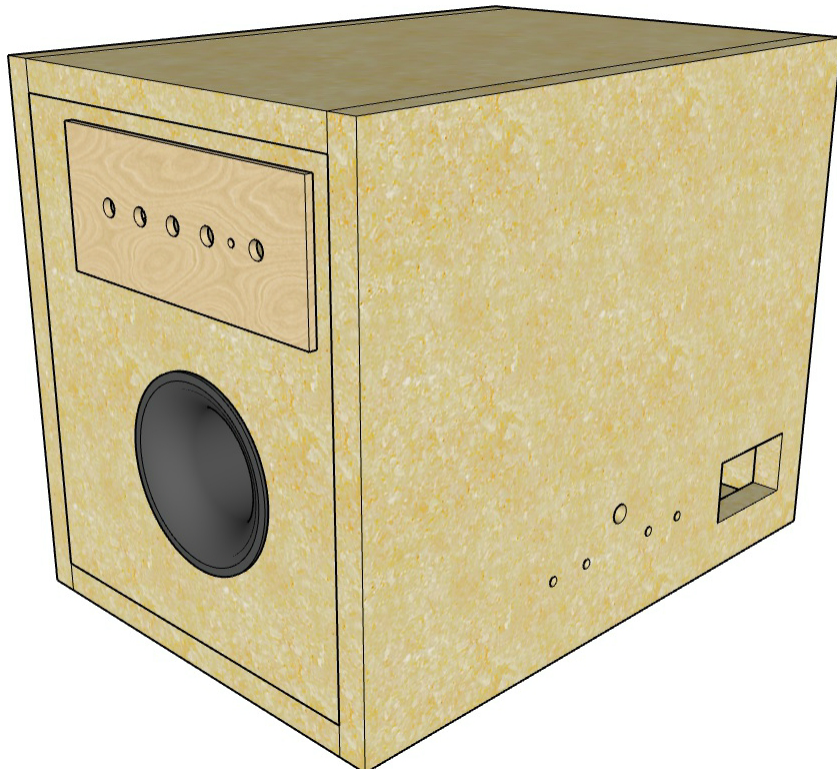
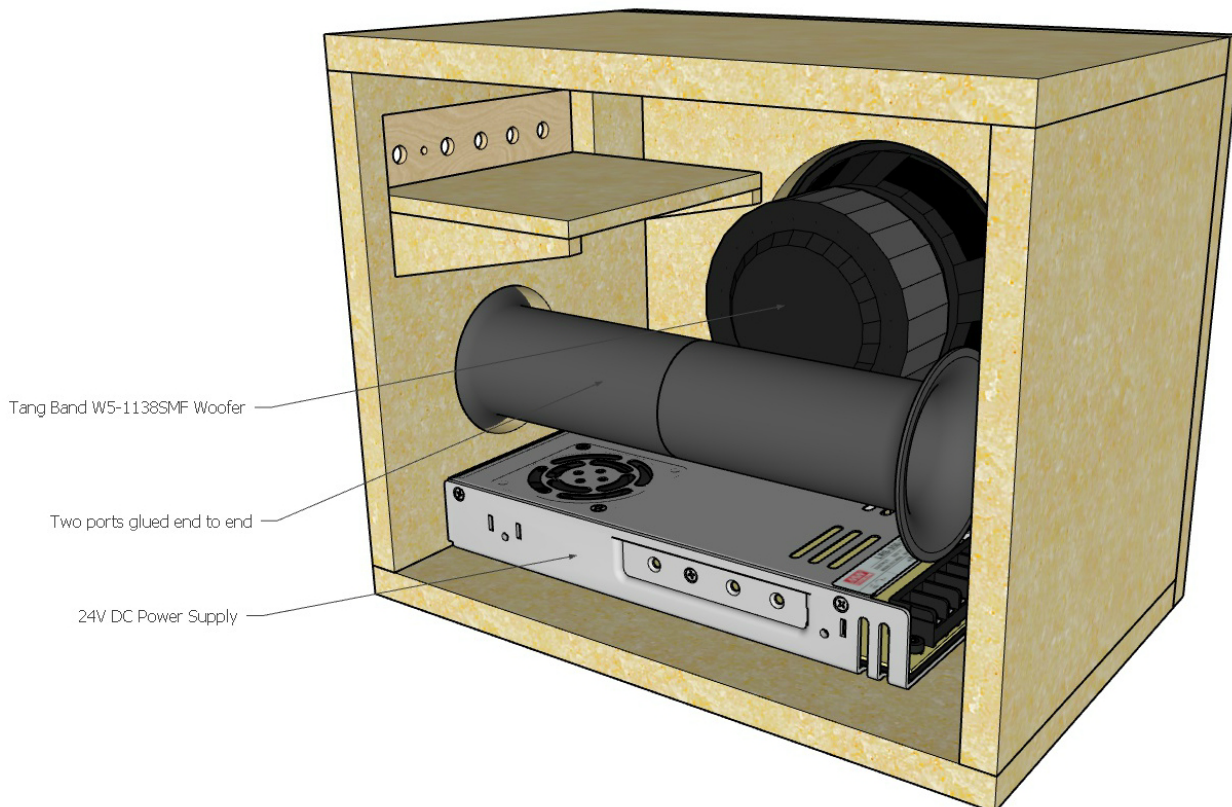
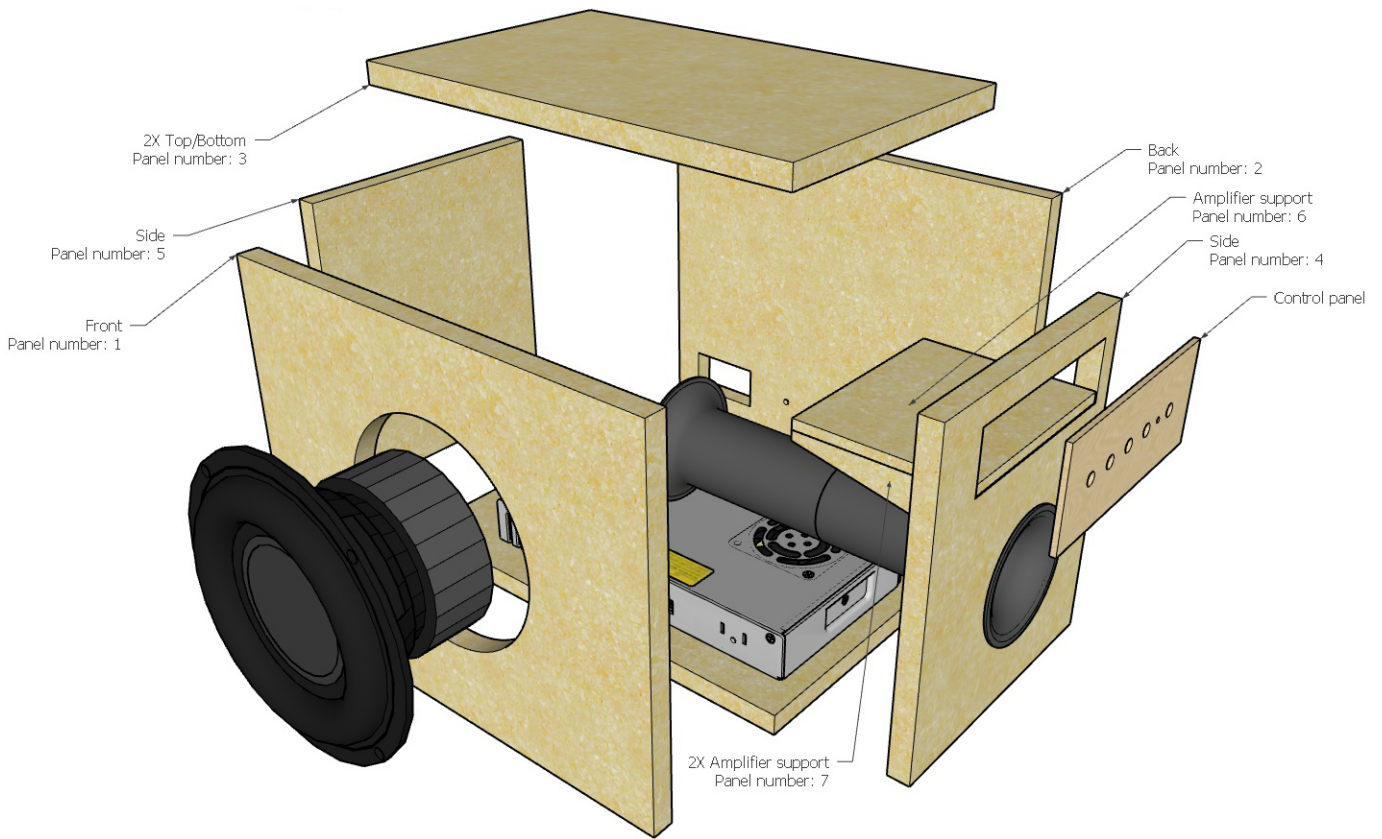


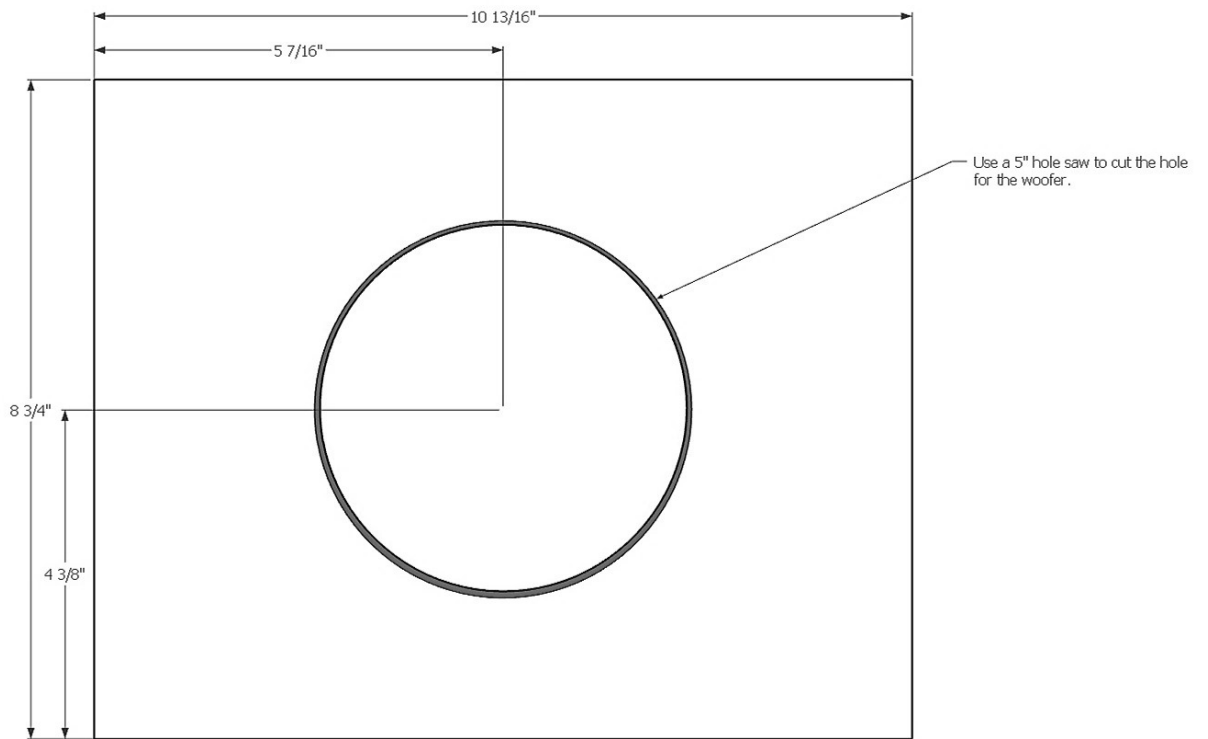
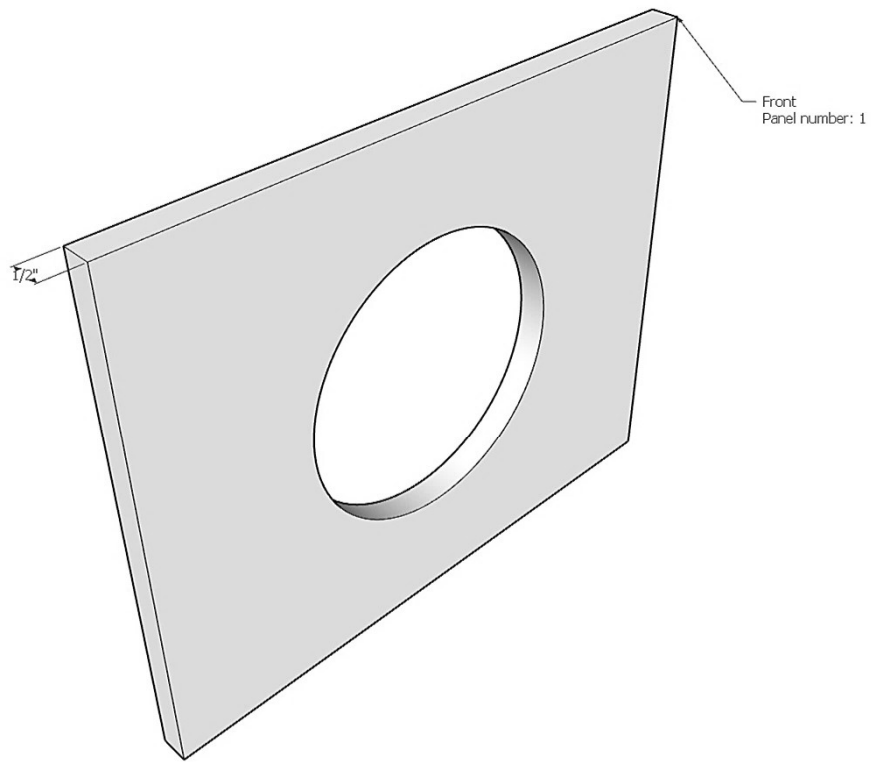
Active Subwoofer Build Plans by *Donny Terek*

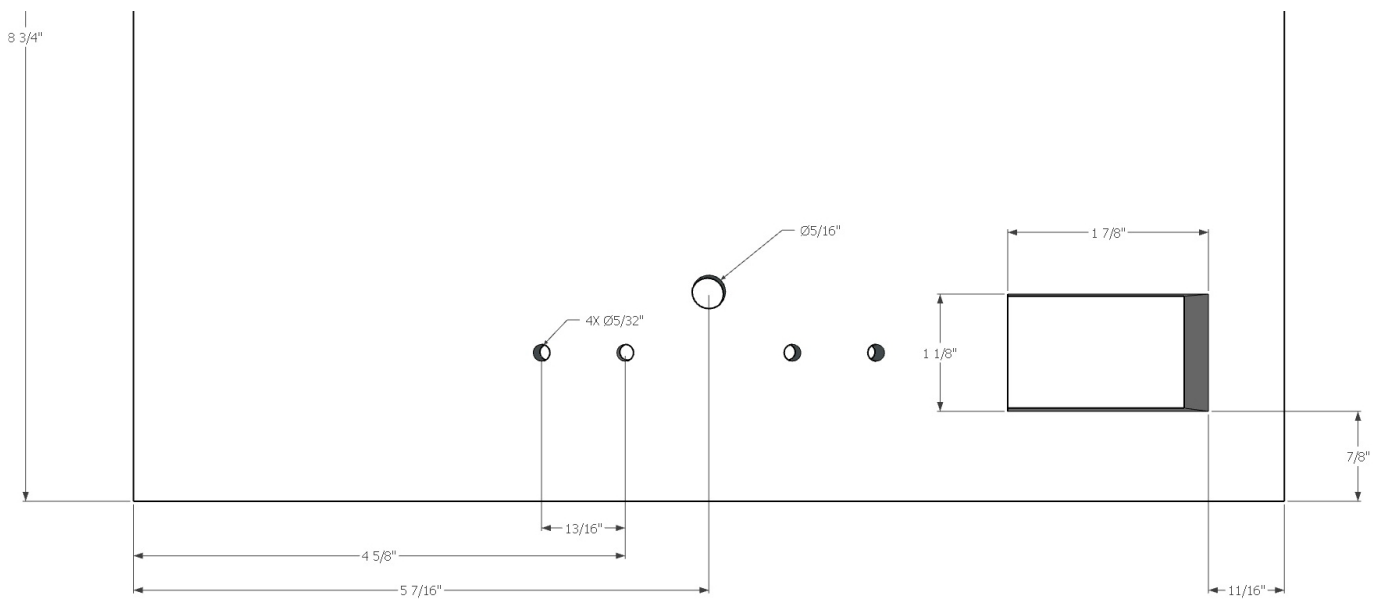
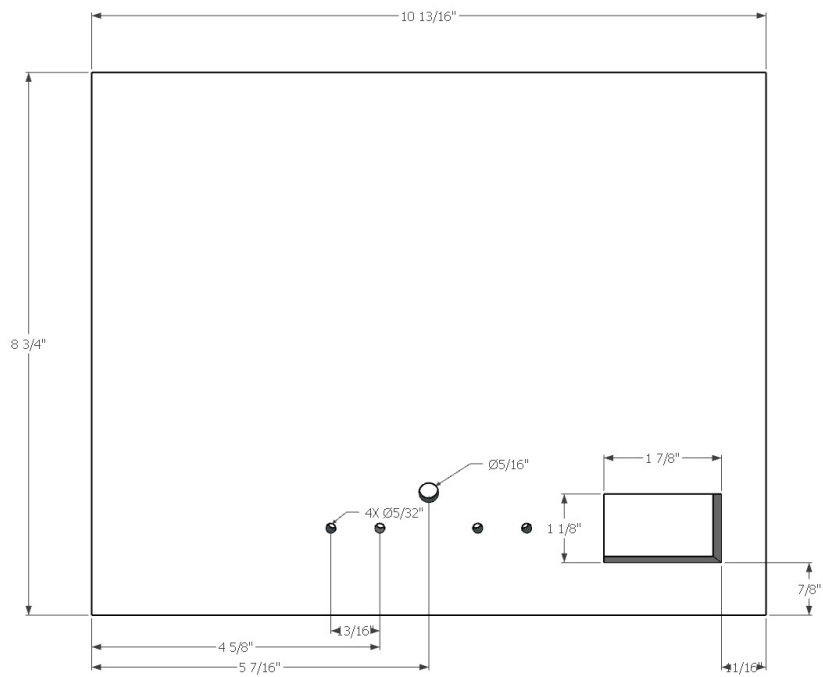
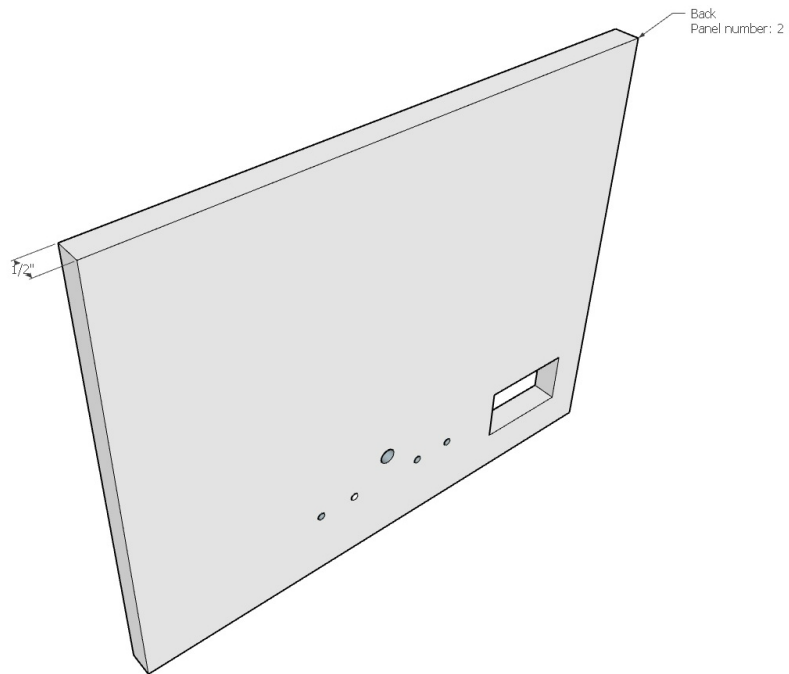


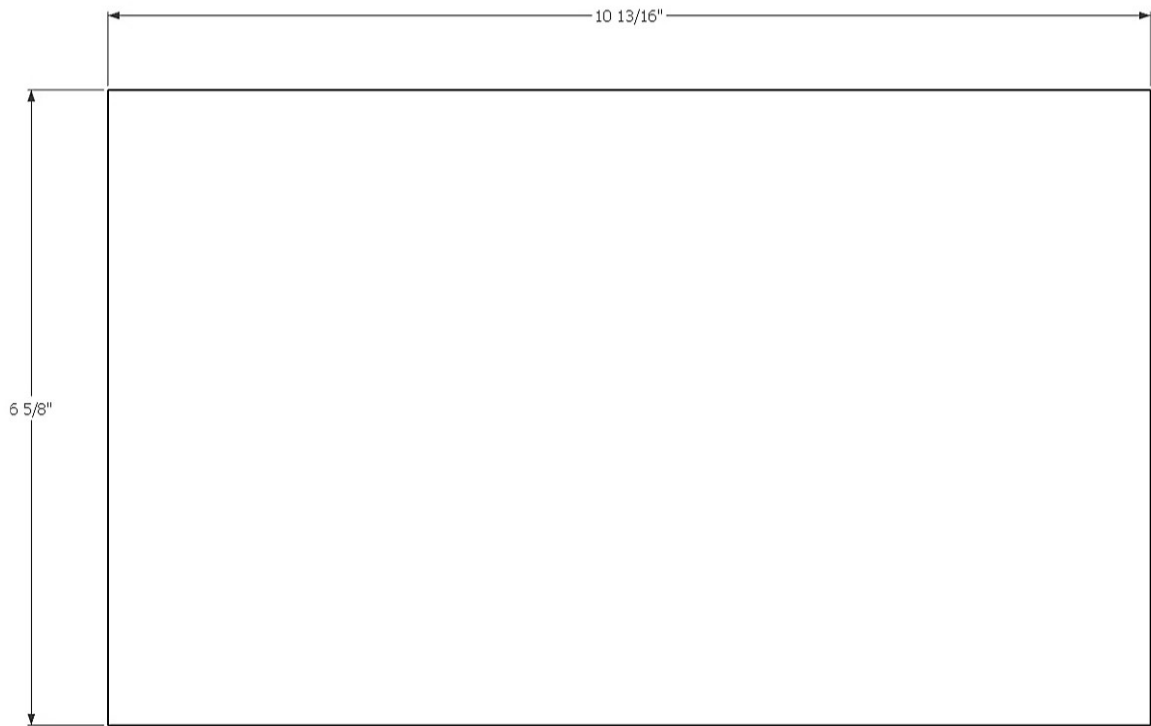
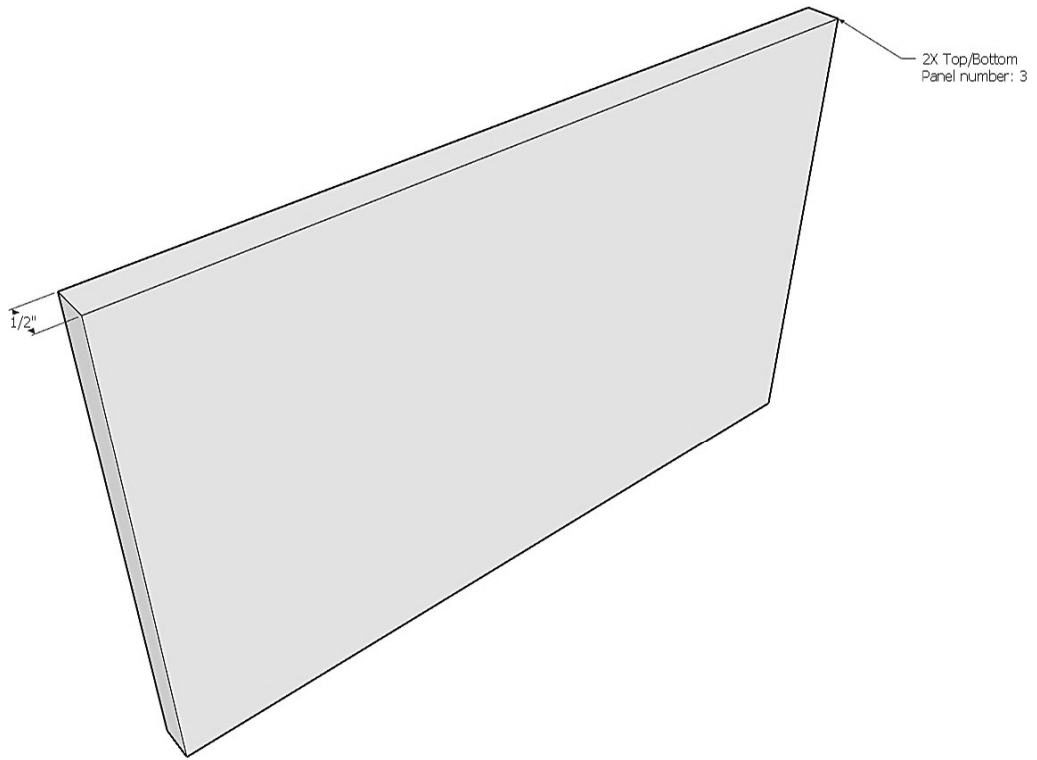
www.youtube.com/donnyterek

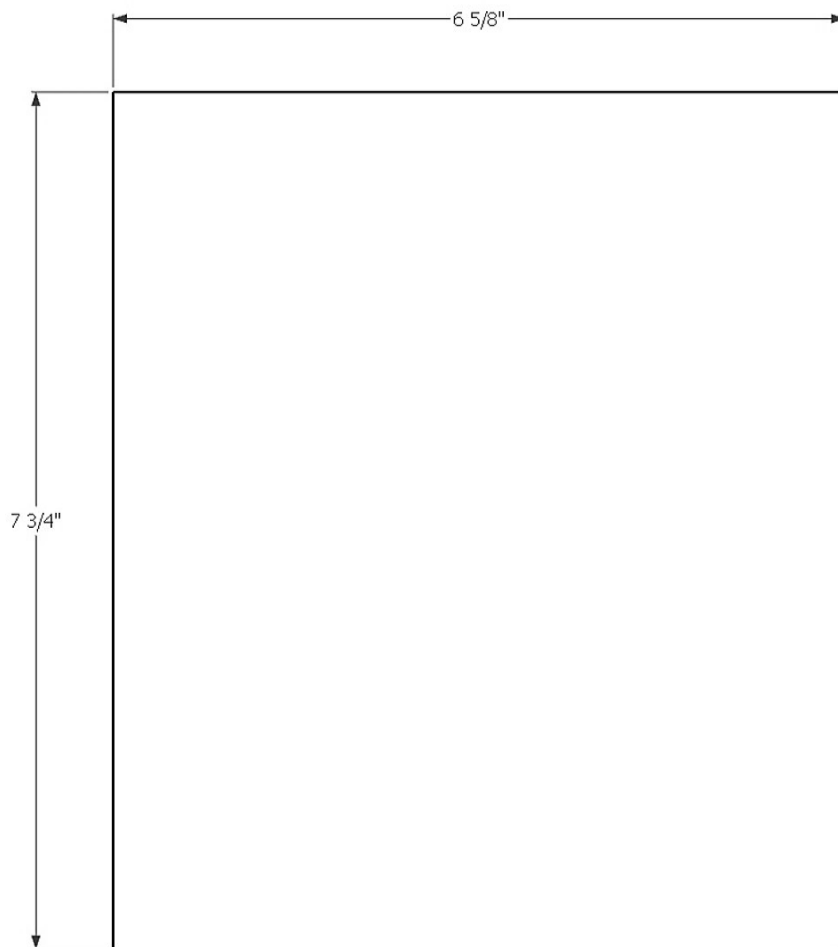
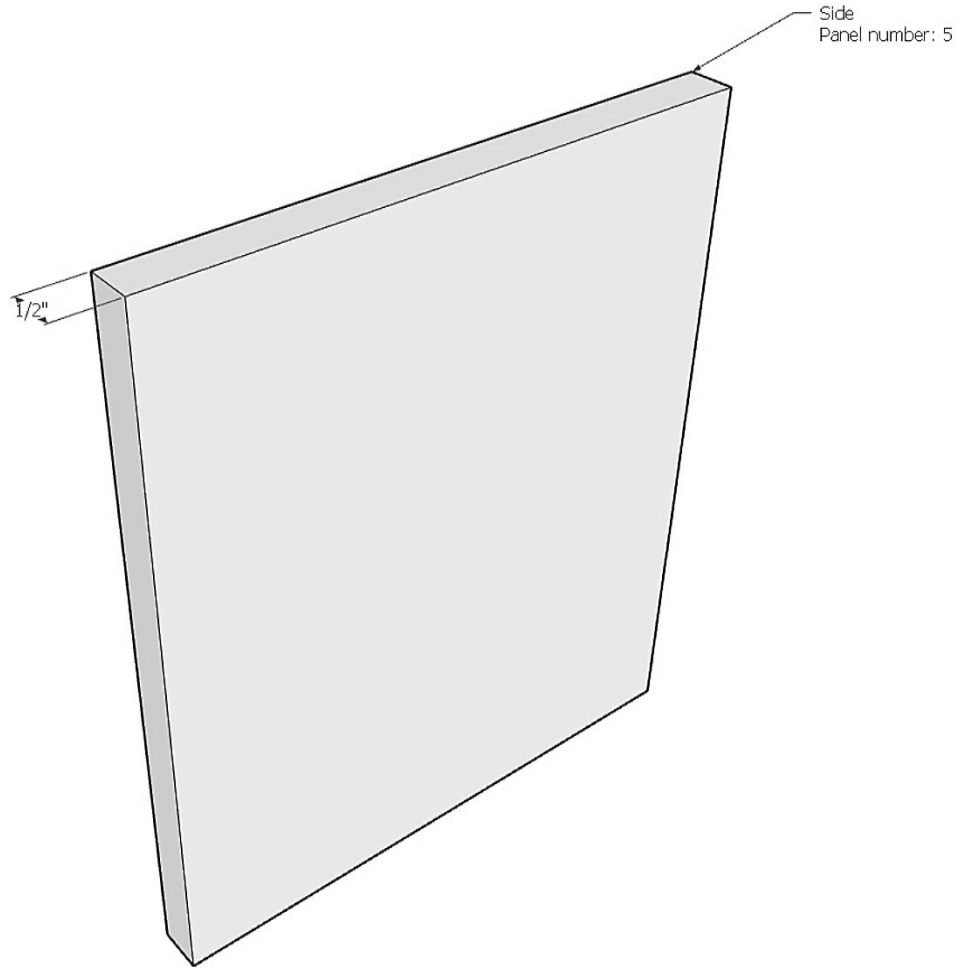




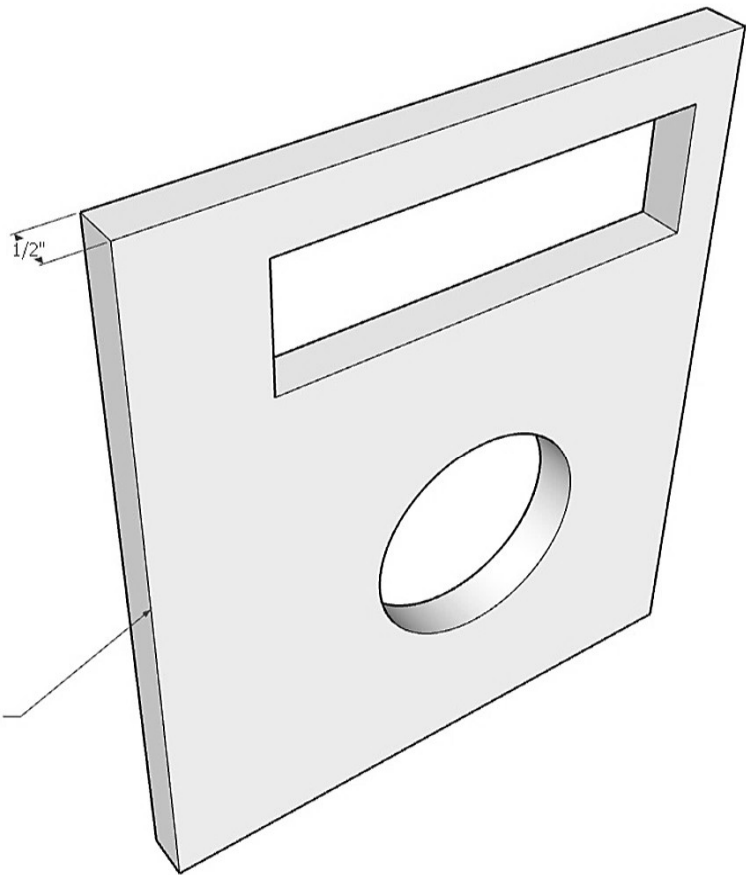








Side
Panel number: 4



This side facing the front

