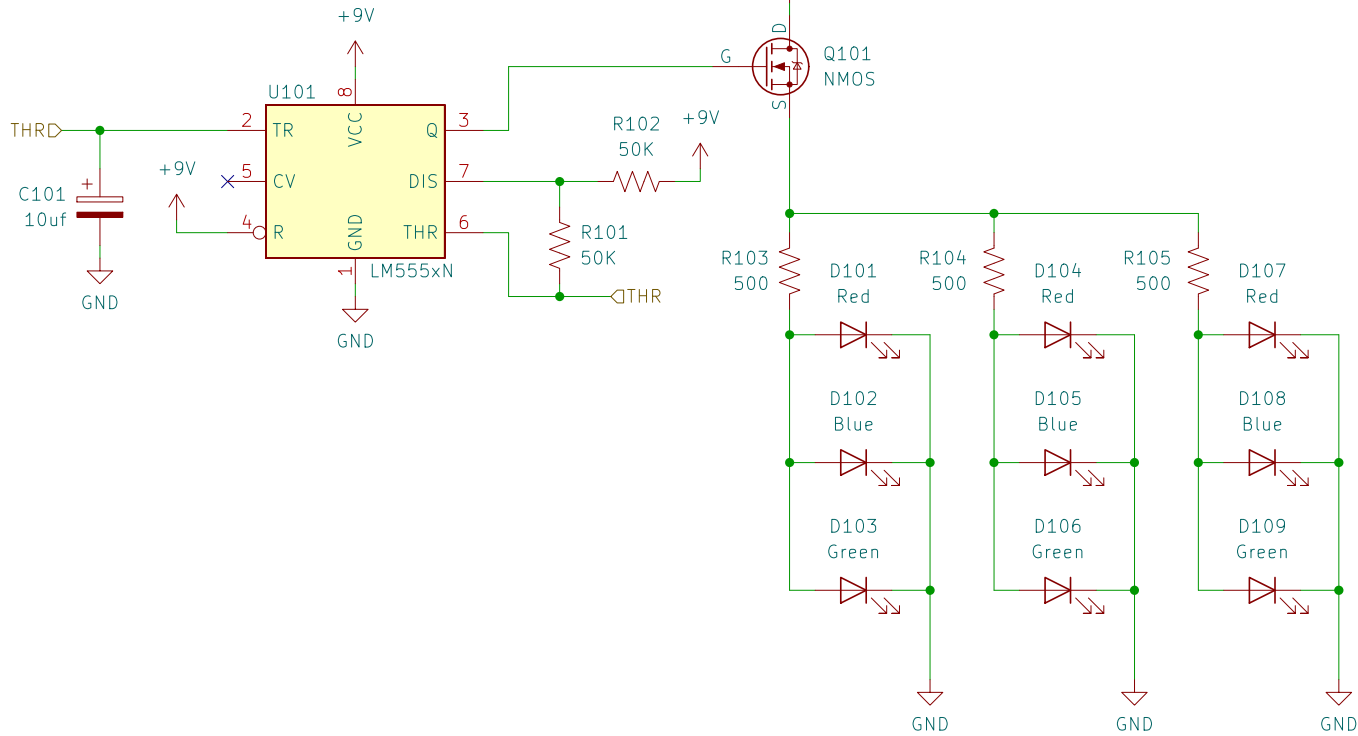
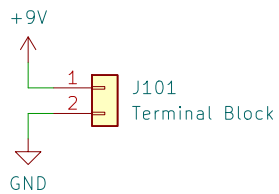


555 Timer LM555



9V Power Input



Warning: Only 9V input or 9V battery!

Mounting Holes



Contributors: Jason Yan, Thomas McManamen

Illinois Space Society

Sheet: /

File: SpaceShot_Onboarding_Project.kicad_sch

Title: 555 Timer Demo Circuit

Size: A5

Date: 2023-12-21

Rev: A

KiCad E.D.A. kicad 7.0.7

Id: 1/1